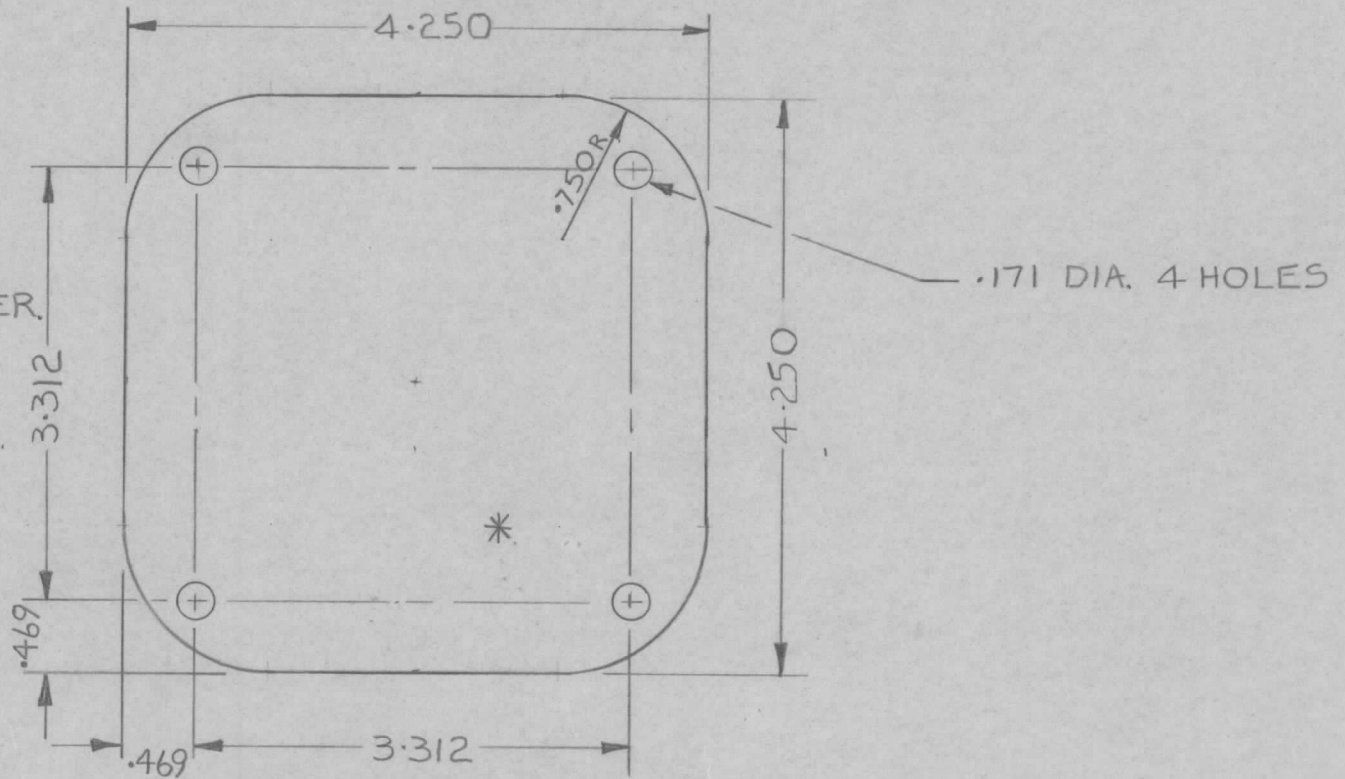


ISSUE	ITEM	CHANGED FROM	DATE	CN. NO.	DRAFTS	CHECKER	ENG. APP.	REQ.	ITEM	PART NO.	DESCRIPTION	SYMBOL
X		ENG. REL	NOV 3-69		DGW							

FINISH

1. S114 - ZINC CROMATE PRIMER.
 2. S115 - SMOOTH GRAY ENAMEL.
 OR
 PRIME & PAINT PER
 CUSTOMER'S SPECIFICATIONS



* PERFORATED PLATE 1/16 HOLES

MCU-16	085/69		OCT 31/69	.051 THICK		TMC (Canada) LIMITED							
MODEL	PROJECT NO.	ASS'Y. NO.	DATE	STOCK SIZE		OTTAWA	ONTARIO						
USED ON				ALUM. ALLOY	LOUDSPEAKER SCREEN								
MAXIMUM ALLOWABLE TOLERANCES HAVE BEEN DETERMINED AND DEVIATIONS WILL BE CAUSE FOR REJECTION. REMOVE ALL BURRS AND SHARP EDGES.				IF IT IS FOUND DESIRABLE TO CHANGE ANY TOLERANCE OR OTHER DETAIL SPECIFIED ON THIS DRAWING NOTIFY THE PURCHASER PROMPTLY.				MATERIAL		WEIGHT PER PC.			
								57S H32					
TOLERANCES DEC. DIM. ± .X = .05 FRAC. DIM. ± 1/64 .XX = .01 ANGULAR DIM. ± 0° 30' .XXX = .005				SCALE NTS DIMENSIONS IN INCHES UNLESS OTHERWISE SPECIFIED DRILL PUNCH, COMMERCIAL STOCK SIZES AND MANUFACTURERS TOLERANCES ARE NOT INCLUDED.				TYPE & TEMPER		HEAT TREAT. SPEC.			
								DGW					
ALL OTHERS				YEL. IRIDITE S404				DRAWN		ELEC. DES. APP.		MECH. DES. APP.	
FINISH & SPEC. NO.				CHECKED				FINAL APPROVAL					
								MS 11121				X	