

THE CONTENTS OF THIS DRAWING ARE THE EXCLUSIVE PROPERTY OF THE TECHNICAL MATERIEL CORP. ITS UNAUTHORIZED USE FOR REPRODUCTION IN WHOLE OR IN PART IS STRICTLY FORBIDDEN.

REQ. PER UNIT

USED ON

MODEL

ASS'Y. NO.

DATE

1

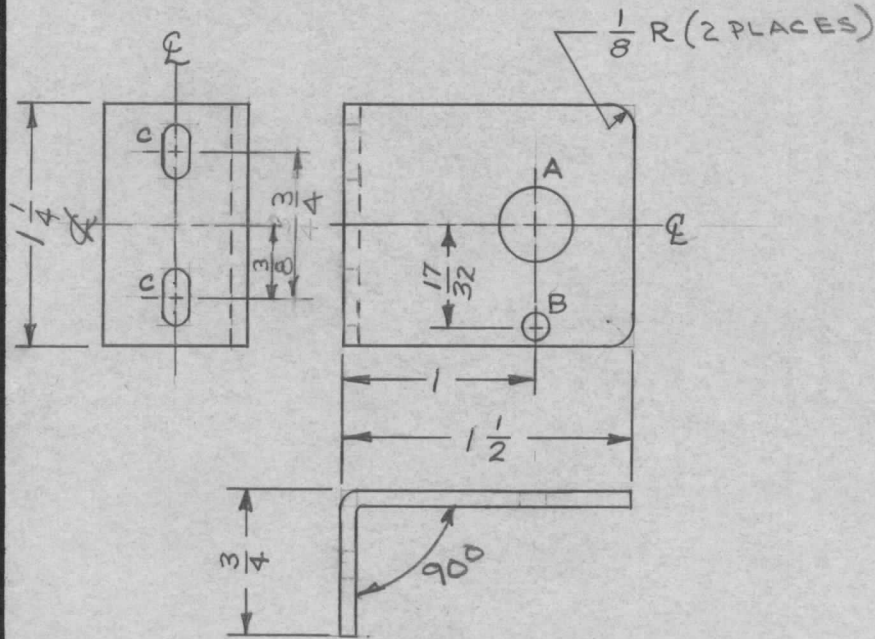
AMC 6-2&3

4-4-63

MS-10554

END VIEW

TOP VIEW



HOLE DATA

- A - .375 DIA. - 1 REQ
- B - 9/64 DIA. - 1 REQ
- C - 9/64 X 9/32 SLOT - 2 REQ

SIDE VIEW

REF. LD-10168

REQ.	ITEM	PART NO.	DESCRIPTION			SYMBOL
		.081 GA. ET	THE TECHNICAL MATERIEL CORP.			
		STOCK SIZE	MAMARONECK, NEW YORK			
		ALUMINUM	BRACKET, SUPPORT			
		MATERIAL	(BIAS POTENTIOMETER)			
SYM	DESCRIPTION	DATE	CH. NO.	DRAFTS	CHECKER	ENG. APP.
UNLESS OTHERWISE SPECIFIED DIMENSIONS ARE IN INCHES AND INCLUDE CHEMICALLY APPLIED OR PLATED FINISHES		SCALE	1:1			
DECIMALS	TOLERANCES	FRACTIONS	CODE			
.X ± .05		± 1/64				
.XX ± .01		ANGLES				
.XXX ± .005		± 0° 30'				
		575 1/4 HARD			M.J. TANTILLO	BP
		TYPE & TEMPER	HEAT TREAT. SPEC.	DRAWN	CHECKED	FINAL APPROVAL
		S 404 YELLOW IRIDITE				
		FINISH & SPEC. NO.	ELEC. DES. APP.	MECH. DES. APP.	MS-10554	