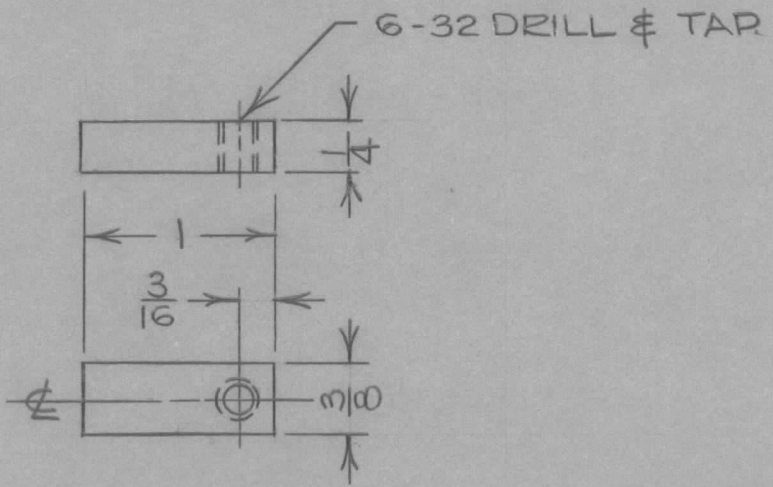


IT IS UNDESIRABLE TO CHANGE ANY TOLERANCE  
 MAXIMUM ALLOWABLE TOLERANCES HAVE BEEN DETER-  
 MINED BY THE BUYER. IF THE BUYER HAS ANY  
 REVISIONS TO THIS DRAWING NOTIFY  
 THE BUYER PROMPTLY.  
 DEVIATIONS WILL BE CAUSE FOR REJECTION.  
 REMOVE ALL BURRS AND SHARP EDGES

MS10524

USED ON			
MODEL	PROJECT NO.	ASS'Y. NO.	DATE
TRX-1	E8081-T		3/1/61



REQ.	ITEM	PART NO.	DESCRIPTION	SYMBOL
	1/4 X 3/8		TMC (Canada) LIMITED OTTAWA ONTARIO	
	STOCK SIZE			
	BRASS		SLUG CARRIER (COIL ASS'Y)	
	MATERIAL	WEIGHT PER PC.		
			JPC	R.W. Thomas
			DRAWN	ELEC. DES. APP. MECH. DES. APP.
			CHECKED	FINAL APPROVAL
			BRIGHT NICKEL	MS10524
			FINISH & SPEC. NO.	

ISSUE	ITEM	CHANGED FROM	DATE	CN. NO.	DRAFTS	CHECKER	ENG. APP.
TOLERANCES			SCALE 1:1				
ALL OTHERS	DEC. DIM. ±		DIMENSIONS IN INCHES UNLESS OTHERWISE SPECIFIED				
	FRAC. DIM. ± 1/64		DRILL, PUNCH, COMMERCIAL STOCK SIZES AND MANUFACTURERS TOLERANCES ARE NOT INCLUDED.				
	ANGULAR DIM. ±						