

IF IT IS FOUND DESIRABLE TO CHANGE ANY TOLERANCE OR OTHER DETAIL SPECIFIED ON THIS DRAWING NOTIFY THE PURCHASER PROMPTLY.

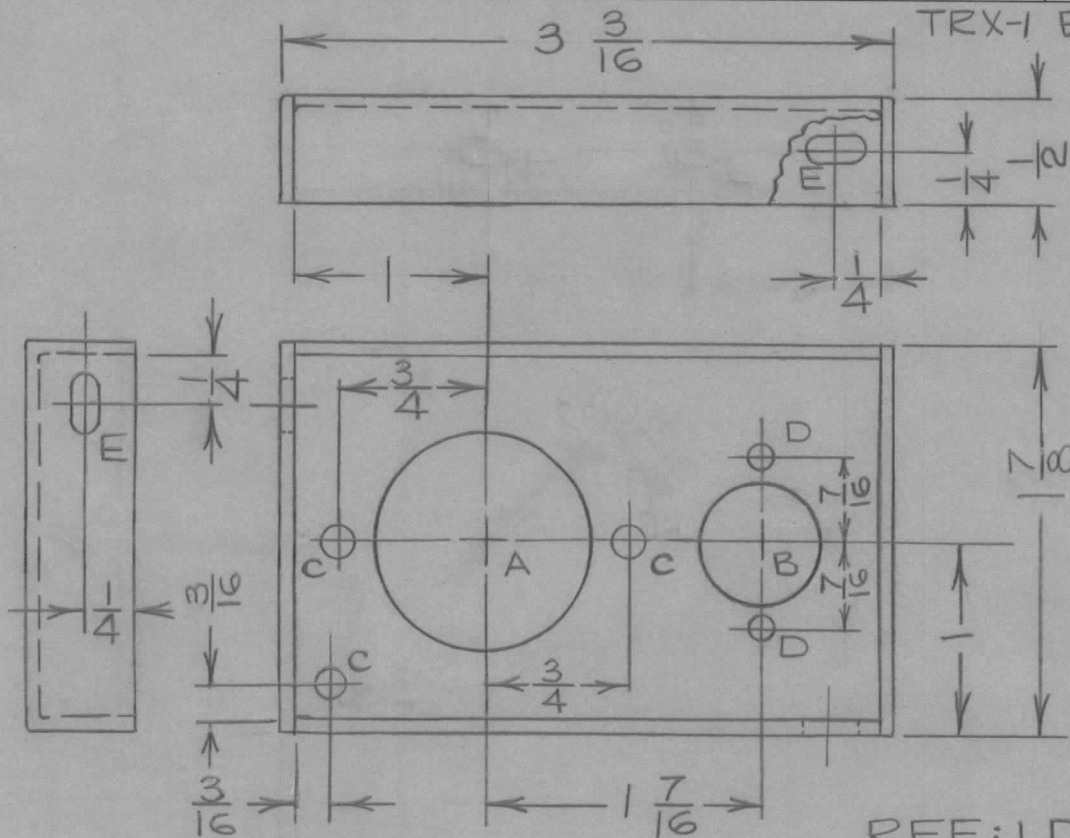
MS10517

MAXIMUM ALLOWABLE TOLERANCES HAVE BEEN DETERMINED AND DEVIATIONS WILL BE CAUSE FOR REJECTION. REMOVE ALL BURRS AND SHARP EDGES

USED ON

MODEL	PROJECT NO.	ASS'Y. NO.	DATE
-------	-------------	------------	------

TRX-1 E-8081-T			FEB. 7 1961.
----------------	--	--	--------------



HOLE A - 1-1/8 DIA.
HOLE B - 5/8 DIA.
HOLE C - 5/32 DIA.
HOLE D - 1/8 DIA.
HOLE E - 9/64 X 9/32
SLOT.

REF: LD

REQ.	ITEM	PART NO.	DESCRIPTION	SYMBOL
		.064 TK.	TMC (Canada) LIMITED OTTAWA ONTARIO	
		STOCK SIZE		
		ALUM.	STABILIZER BKT.	
		MATERIAL	TRX-1	
		WEIGHT PER PC.		
		TYPE & TEMPER	JPC	
		HEAT TREAT. SPEC.	DRAWN	ELEC. DES. APP. MECH. DES. APP. <i>R.W. Thomas</i>
		FINISH & SPEC. NO.	CHECKED	FINAL APPROVAL
				MS10517

ISSUE	ITEM	CHANGED FROM	DATE	CN. NO.	DRAFTS	CHECKER	ENG. APP.
TOLERANCES							
ALL OTHERS		DEC. DIM. ± FRAC. DIM. ± 1/64 ANGULAR DIM. ±	SCALE 1:1				
		DIMENSIONS IN INCHES UNLESS OTHERWISE SPECIFIED					
		DRILL, PUNCH, COMMERCIAL STOCK SIZES AND MANUFACTURERS TOLERANCES ARE NOT INCLUDED.					