

IF IT IS FOUND DESIRABLE TO CHANGE ANY TOLERANCE OR OTHER DETAIL SPECIFIED ON THIS DRAWING NOTIFY THE PURCHASER PROMPTLY.

MS-10 322

MAXIMUM ALLOWABLE TOLERANCES HAVE BEEN DETERMINED AND DEVIATIONS WILL BE CAUSE FOR REJECTION. REMOVE ALL BURRS AND SHARP EDGES

USED ON

MODEL

PROJECT NO.

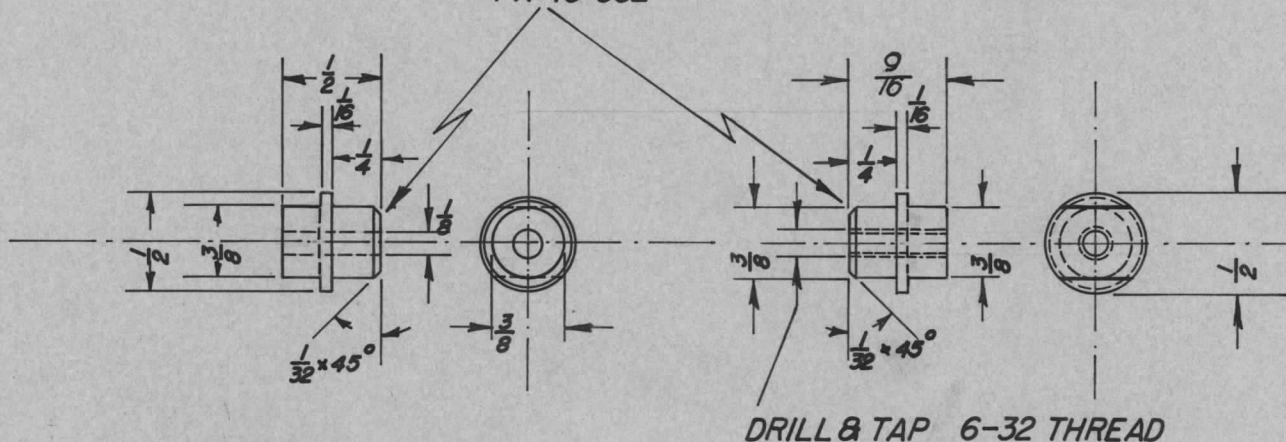
ASS'Y. NO.

DATE

GPT 750

A-10218 May 15/59

TO BE FITTED INTO  
PHENOLIC TUBE DWG.  
PX-10 002



NOTICE TO PERSONS RECEIVING THIS DRAWING

THE TECHNICAL MATERIEL CORPORATION claims proprietary right in the material disclosed hereon. This drawing is issued in confidence for engineering information only and may not be reproduced or used to manufacture anything shown hereon without permission from THE TECHNICAL MATERIEL CORPORATION to the user. This drawing is loaned for mutual assistance and is subject to recall at any time.

Property of:

THE TECHNICAL MATERIEL CORPORATION  
MAMARONECK, NEW YORK

REQ.	ITEM	PART NO.	DESCRIPTION	SYMBOL
	1/2 DIA		TMC (Canada) LIMITED OTTAWA ONTARIO	
	STOCK SIZE			
	BRASS		CAP FOR GROUNDING	
	MATERIAL	WEIGHT PER PC.	HOOK GPT 750	
	TYPE & TEMPER		<i>M. B. Jones</i> <i>U. Kr.</i> <i>U. Kr.</i>	
	HEAT TREAT. SPEC.		DRAWN ELEC. DES. APP MECH. DES. APP.	
	BRIGHT NICKEL		<i>W. G. M.</i> <i>J. She</i>	
	FINISH & SPEC. NO.		CHECKED FINAL APPROVAL	
			MS-10 322	

ISSUE	ITEM	CHANGED FROM	DATE	CN. NO.	DRAFTS	CHECKER	ENG. APP.
TOLERANCES			SCALE 1:1				
ALL OTHERS	DEC. DIM. ± FRAC. DIM. ± 1/64 ANGULAR DIM. ±		DRILL, PUNCH, COMMERCIAL STOCK SIZES AND MANUFACTURERS TOLERANCES ARE NOT INCLUDED.				