

IF IT IS FOUND DESIRABLE TO CHANGE ANY TOLERANCE OR OTHER DETAIL SPECIFIED ON THIS DRAWING NOTIFY THE PURCHASER PROMPTLY.

STANDARD DRAWING

MS-10266 A

MAXIMUM ALLOWABLE TOLERANCES HAVE BEEN DETERMINED AND DEVIATIONS WILL BE CAUSE FOR REJECTION.
REMOVE ALL BURRS AND SHARP EDGES

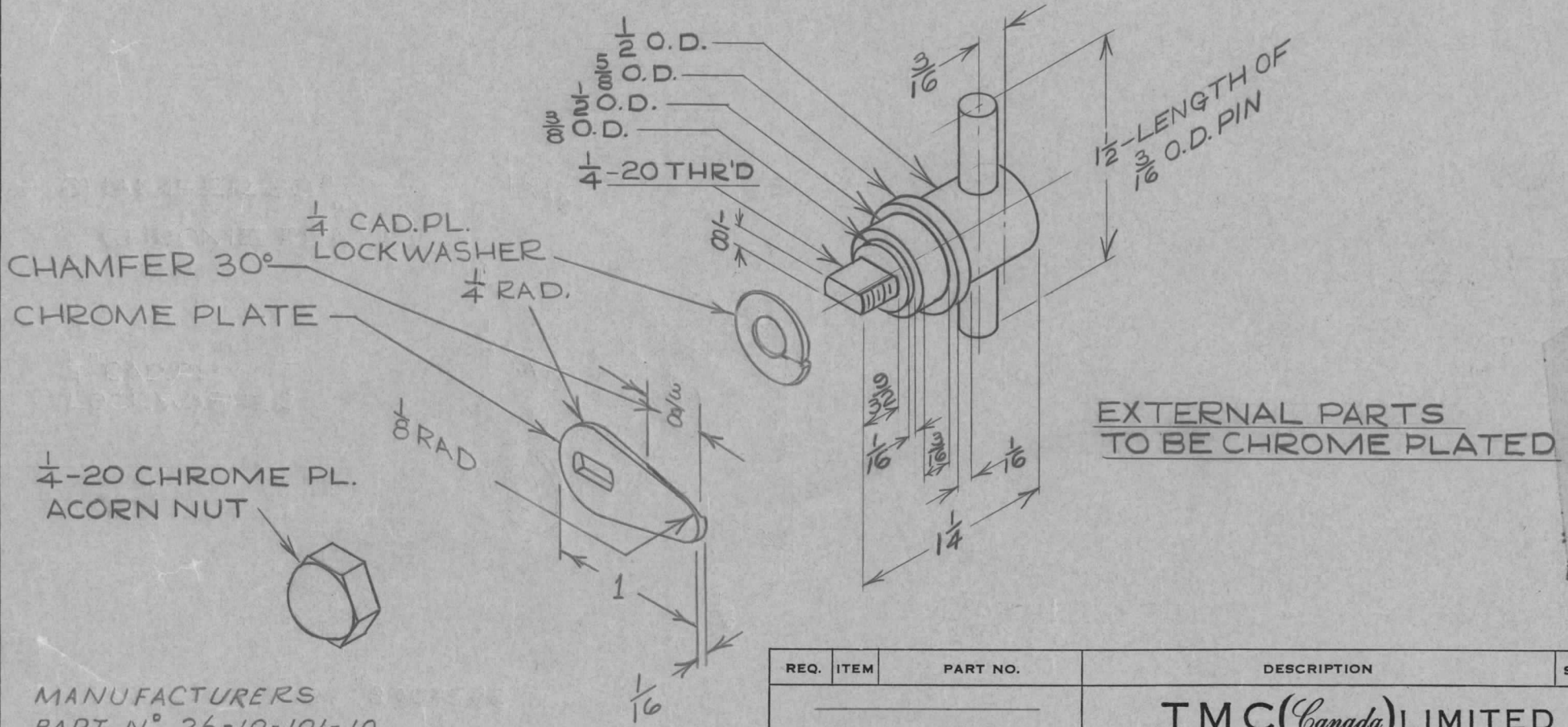
USED ON

MODEL

PROJECT NO.

ASS'Y. NO.

DATE



REQ.	ITEM	PART NO.	DESCRIPTION	SYMBOL
			TMC (Canada) LIMITED	
STOCK SIZE			OTTAWA	ONTARIO
			LATCH ASS'Y	
MATERIAL		WEIGHT PER PC.		
TYPE & TEMPER		DCM NOV 21 1956		
		DRAWN		
HEAT TREAT. SPEC.		ELEC. DES. APP.		
		MECH. DES. APP.		
FINISH & SPEC. NO.		CHECKED		
		FINAL APPROVAL		
		MS10266 A		

A	MANUF. & PART N° ADDED 24-5-60		W.H.D.		mks.	
ISSUE	ITEM	CHANGED FROM	DATE	CN. NO.	DRAFTS CHECKER	ENG. APP.
TOLERANCES			SCALE 1:10045-16			
ALL OTHERS			DRILL, PUNCH, COMMERCIAL STOCK SIZES AND MANUFACTURERS TOLERANCES ARE NOT INCLUDED.			
DEC. DIM. ±						
FRAC. DIM. ±						
ANGULAR DIM. ±						