

IF IT IS FOUND DESIRABLE TO CHANGE ANY TOLERANCE OR OTHER DETAIL SPECIFIED ON THIS DRAWING NOTIFY THE PURCHASER PROMPTLY.

MS10258

MAXIMUM ALLOWABLE TOLERANCES HAVE BEEN DETERMINED AND DEVIATIONS WILL BE CAUSE FOR REJECTION. REMOVE ALL BURRS AND SHARP EDGES

USED ON

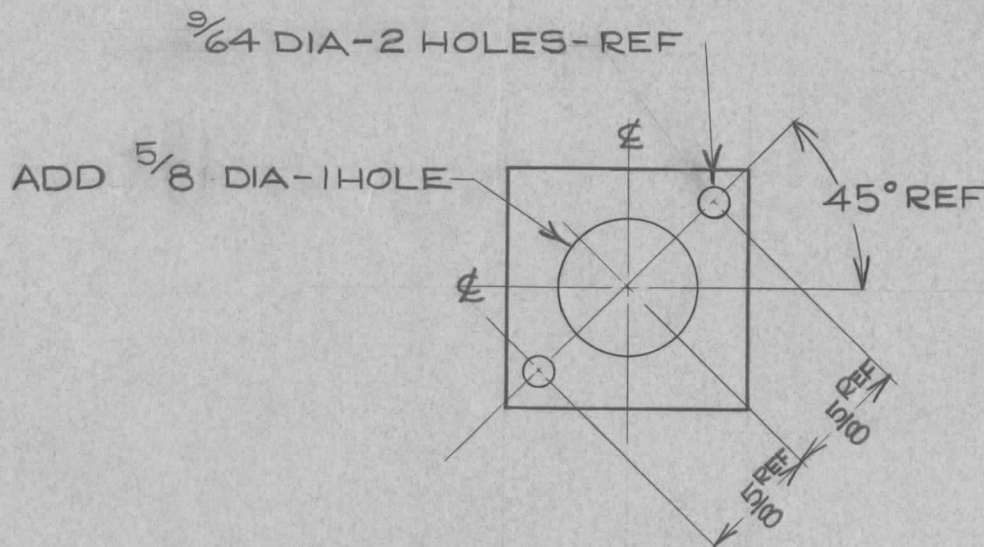
MODEL

PROJECT NO.

ASS'Y. NO.

DATE

AMC6-5 CE 646 TRO-74 NOV5/58  
-78  
-79



NOTICE TO PERSONS RECEIVING THIS DRAWING

THE TECHNICAL MATERIEL CORPORATION claims proprietary right in the material disclosed hereon. This drawing is issued in confidence for engineering information only and may not be reproduced or used to manufacture anything shown hereon without permission from THE TECHNICAL MATERIEL CORPORATION to the user. This drawing is loaned for mutual assistance and is subject to recall at any time.

Property of:

THE TECHNICAL MATERIEL CORPORATION  
MAMARONECK, NEW YORK

VIEW OF BOTTOM OF CASE

1	1	BX-100-3S	CASE & COVER	
REQ.	ITEM	PART NO.	DESCRIPTION	SYMBOL
			<b>TMC (Canada) LIMITED</b> OTTAWA ONTARIO	
STOCK SIZE			MODIFICATION TO STD. CASE	
MATERIAL		WEIGHT PER PC.		
		TRO-74-78-79		
TYPE & TEMPER		DCM		
		DRAWN <i>M. Kramer</i> ELEC. DES. APP. MECH. DES. APP. <i>M. Kramer</i>		
HEAT TREAT. SPEC.		CHECKED <i>M. Kramer</i> FINAL APPROVAL <i>J. S. C.</i>		
FINISH & SPEC. NO.		MS10258		

ISSUE	ITEM	CHANGED FROM	DATE	CN. NO.	DRAFTS	CHECKER	ENG. APP.
TOLERANCES			SCALE 1:1				
ALL OTHERS	DEC. DIM. ± FRAC. DIM. ± ANGULAR DIM. ±		DRILL, PUNCH, COMMERCIAL STOCK SIZES AND MANUFACTURERS TOLERANCES ARE NOT INCLUDED.				