

IF IT IS FOUND DESIRABLE TO CHANGE ANY TOLERANCE OR OTHER DETAIL SPECIFIED ON THIS DRAWING NOTIFY THE PURCHASER PROMPTLY.

MAXIMUM ALLOWABLE TOLERANCES HAVE BEEN DETERMINED AND DEVIATIONS WILL BE CAUSE FOR REJECTION. REMOVE ALL BURRS AND SHARP EDGES

MS-10166

USED ON

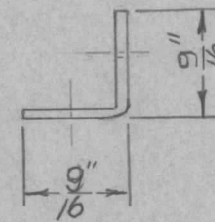
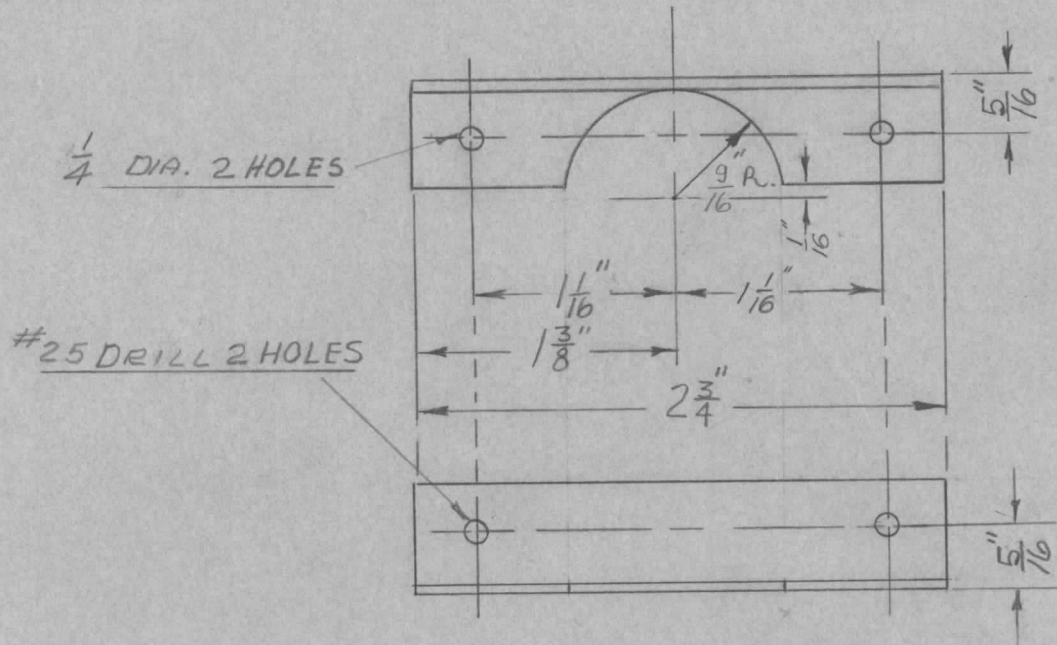
MODEL	PROJECT NO.	ASS'Y. NO.	DATE
EQ-1	8548	A10165	2/4/57.

NOTICE TO PERSONS RECEIVING THIS DRAWING

THE TECHNICAL MATERIEL CORPORATION claims proprietary right in the material disclosed hereon. This drawing is issued in confidence for engineering information only and may not be reproduced or used to manufacture anything shown hereon without permission from THE TECHNICAL MATERIEL CORPORATION to the user. This drawing is loaned for mutual assistance and is subject to recall at any time.

Property of:

THE TECHNICAL MATERIEL CORPORATION
MAMARONECK, NEW YORK



2 REQ'D PER UNIT

FOR VANCOUVER SITE

REQ.	ITEM	PART NO.	DESCRIPTION	SYMBOL
		$\frac{1}{16} \times 1 \times 2 \frac{3}{4}$	TMC (Canada) LIMITED OTTAWA ONTARIO	
		STOCK SIZE		
		ALUMINIUM	COVER SUPPORT FOR	
		MATERIAL	LINE EQUALIZER	
		65ST 1/4 HARD	G SIM	
		TYPE & TEMPER	DRAWN	ELEC. DES. APP.
			L. MARION	M. J. [Signature]
		HEAT TREAT. SPEC.	CHECKED	FINAL APPROVAL
		AS 15		MS-10166
		FINISH & SPEC. NO.		

ISSUE	ITEM	CHANGED FROM	DATE	CN. NO.	DRAFTS	CHECKER	ENG. APP.
TOLERANCES			SCALE FULL SIZE				
ALL OTHERS	DEC. DIM. \pm FRAC. DIM. \pm ANGULAR DIM. \pm	DRILL, PUNCH, COMMERCIAL STOCK SIZES AND MANUFACTURERS TOLERANCES ARE NOT INCLUDED.					