

IF IT IS FOUND DESIRABLE TO CHANGE ANY TOLERANCE OR OTHER DETAIL SPECIFIED ON THIS DRAWING NOTIFY THE PURCHASER PROMPTLY.

MS-10136

MAXIMUM ALLOWABLE TOLERANCES HAVE BEEN DETERMINED AND DEVIATIONS WILL BE CAUSE FOR REJECTION.
REMOVE ALL BURRS AND SHARP EDGES

USED ON

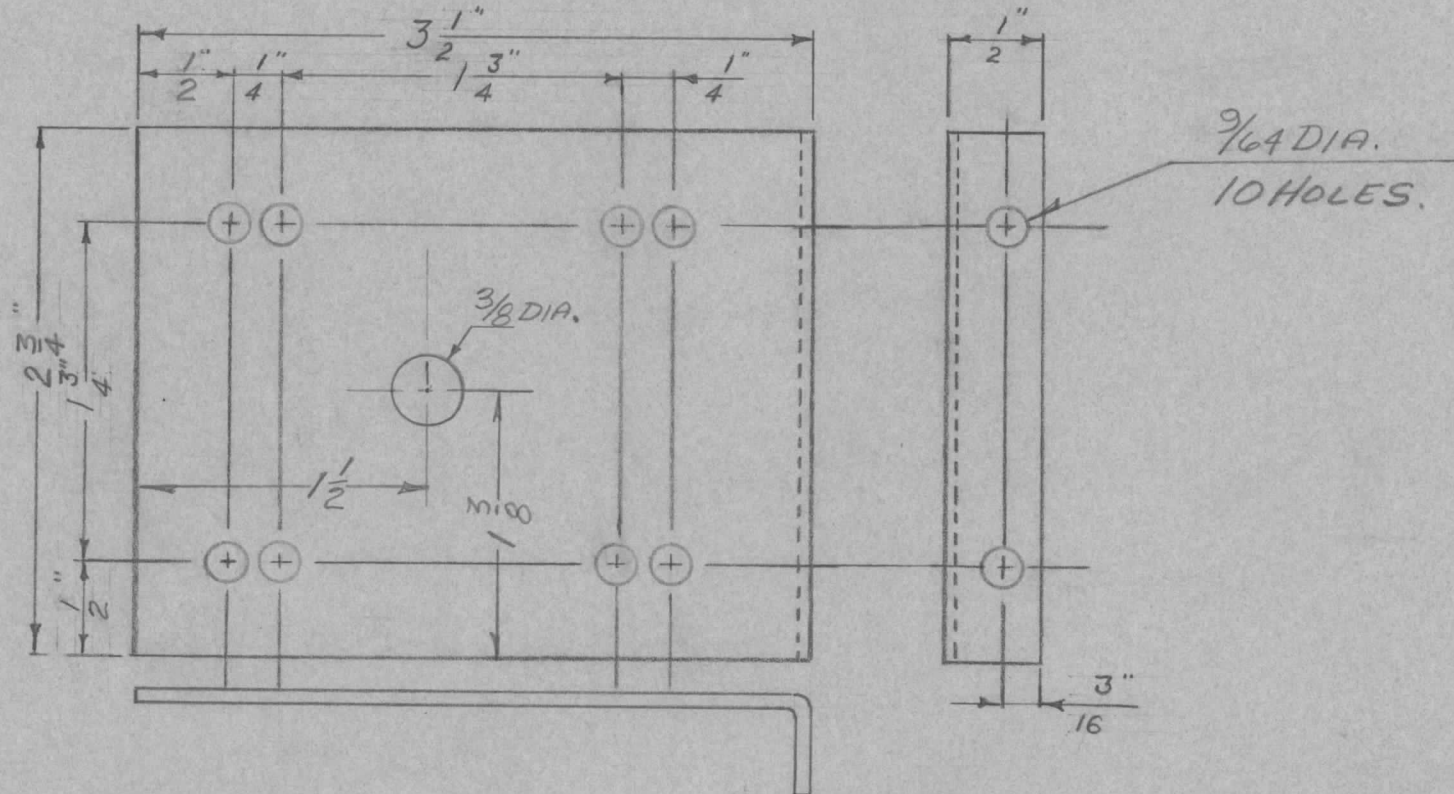
MODEL

PROJECT NO.

ASS'Y. NO.

DATE

A-10068 3-11-55



REQ.	ITEM	PART NO.	DESCRIPTION	SYMBOL
			TMC (Canada) LIMITED OTTAWA ONTARIO	
			BRACKET (RX101)	
			TRMTR.F. SWITCHING UNIT	
			M.A.C.	
			DRAWN	ELEC. DES. APP. MECH. DES. APP.
			HEAT TREAT. SPEC.	checked <i>maa</i> FINAL APPROVAL
			FINISH & SPEC. NO.	MS-10136

ISSUE ITEM CHANGED FROM DATE CN. NO. DRAFTS CHECKER ENG. APP.

TOLERANCES

SCALE

DRILL, PUNCH, COMMERCIAL STOCK SIZES AND MANUFACTURERS TOLERANCES ARE NOT INCLUDED.

ALL OTHERS
DEC. DIM. \pm
FRAC. DIM. $\pm \frac{1}{64}$
ANGULAR DIM. \pm