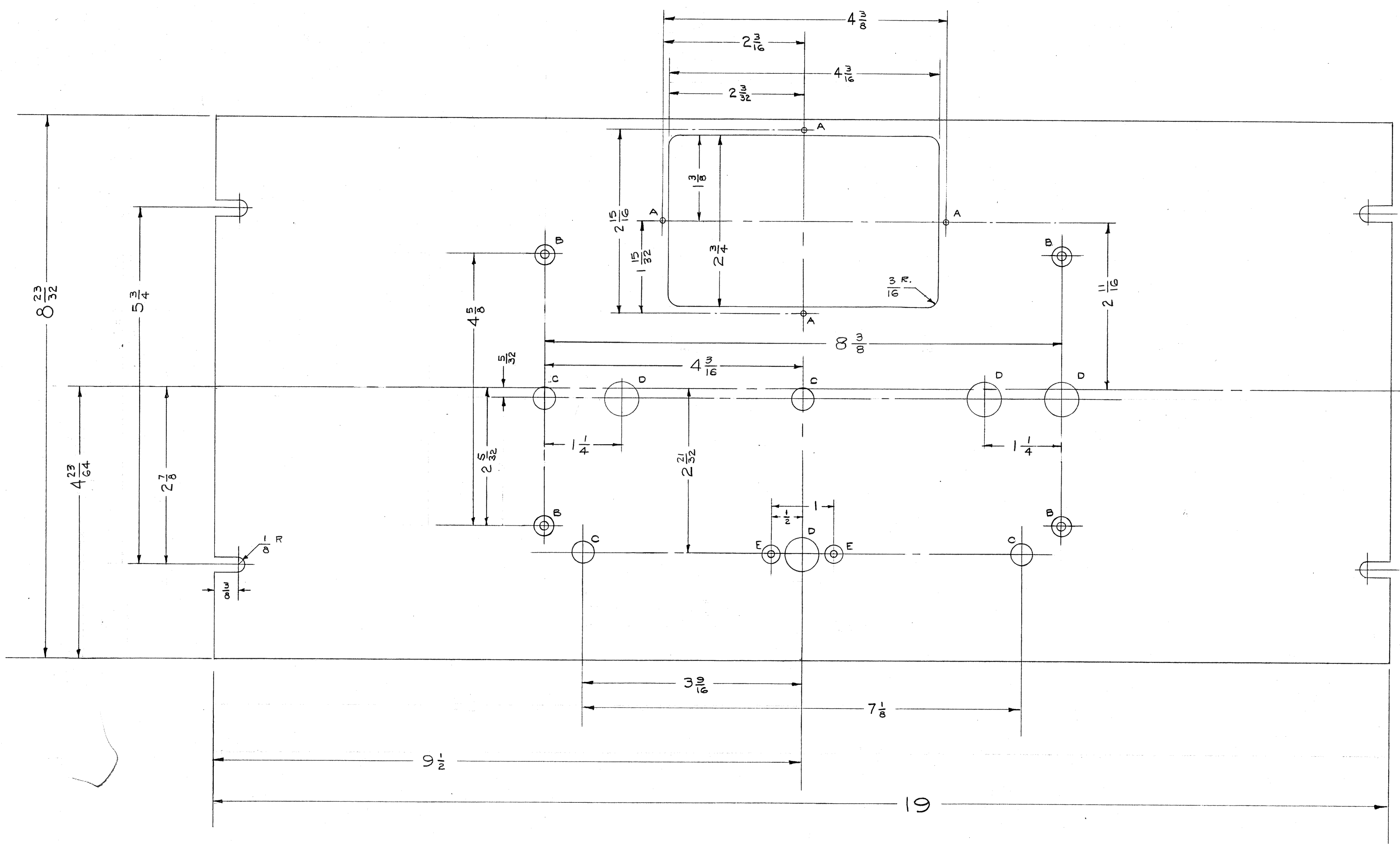
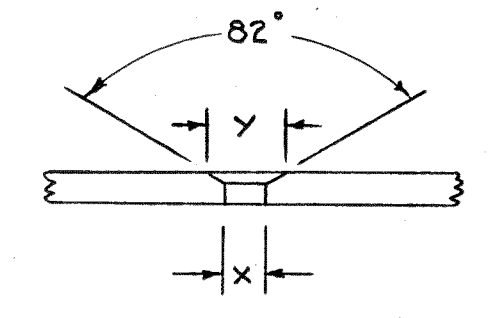


IF IT IS FOUND DESIRABLE TO CHANGE ANY TOLERANCE OR OTHER DETAIL SPECIFIED ON THIS DRAWING NOTIFY THE PURCHASER PROMPTLY.
 MAXIMUM ALLOWABLE TOLERANCES HAVE BEEN DETERMINED AND DEVIATIONS WILL BE CAUSE FOR REJECTION. REMOVE ALL BURRS AND SHARP EDGES

- A - #47 (.078) D. 4 HOLES REQ.
- B - DRILL & C'SINK 8-32 4 REQ. SEE CHART BELOW.
- C - 25/64 (.390) D. 4 "
- D - 3/16 (.484) D. 4 "
- E - DRILL & C'SINK 6-32 2 " SEE CHART BELOW.

DIMENSION	6-32 "E" HOLES	8-32 "B" HOLES
X	#27 (.144) D.	#18 (.169) D.
Y	.284 D.	.337 D.



FINISH NOTE -
 S-404 YEL. IRIDITE
 Edges Only: { S114 ZINC CHROMATE PRIMER
 S115 SMOOTH GREY ENAMEL
 OR- PRIME & PAINT TO CUSTOMERS SPECIFICATIONS

FRONT VIEW RACK MOUNT

PROPERTY OF THE TECHNICAL MATERIEL CORPORATION
 MAMARONECK, NEW YORK

ISSUE	ITEM	CHANGED FROM	DATE	CH. NO.	DRAFTER	CHECKER	ENG. APP.
A1		S-404 YEL. IRIDITE WAS S-101 CAUSTIC DIP	1/24/57	1001	AB		EMN

REQ. PER UNIT	MODEL	PROJECT NO.	ASSY. NO.	DATE	SYMBOL
1	GSB-1 MARK II			5-20-57	MS-1063 A

