

STANDARD DRAWING

CHART No.1

COLOR & MATERIAL		
SYM.	COLOR	MATERIAL
Z	BLACK	LEXAN
G	DARK GREEN	PLEXIGLASS
R	BRIGHT RED	
W	CHALK WHITE	PLEXIGLASS
Y	CANARY YELLOW	
B	ROYAL BLUE	PLEXIGLASS

CHART No.2

ENGRAVING	
SYM.	SIZE & ORIENTATION
X	NONE
A	HORIZONTAL TOP ROW .160 BOTTOM ROW .120
B	HORIZONTAL SINGLE ROW .160

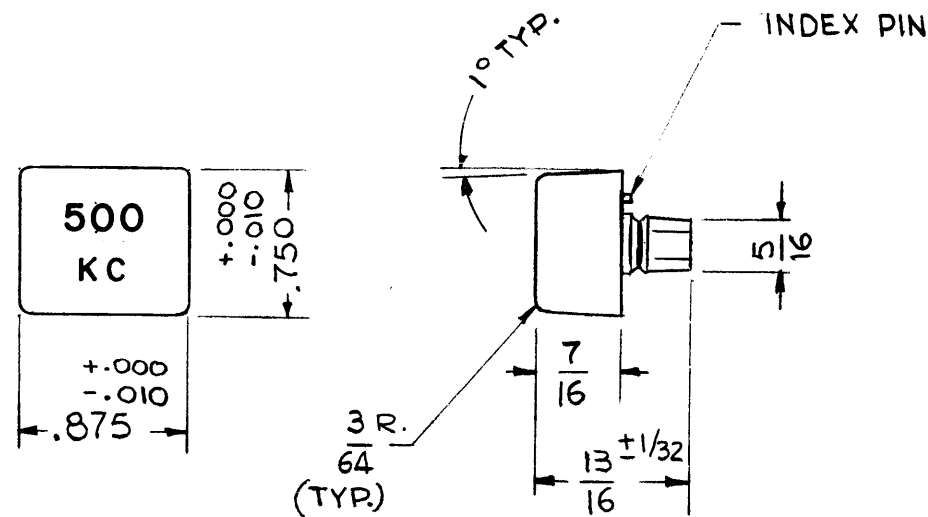
LI 112

REVISIONS

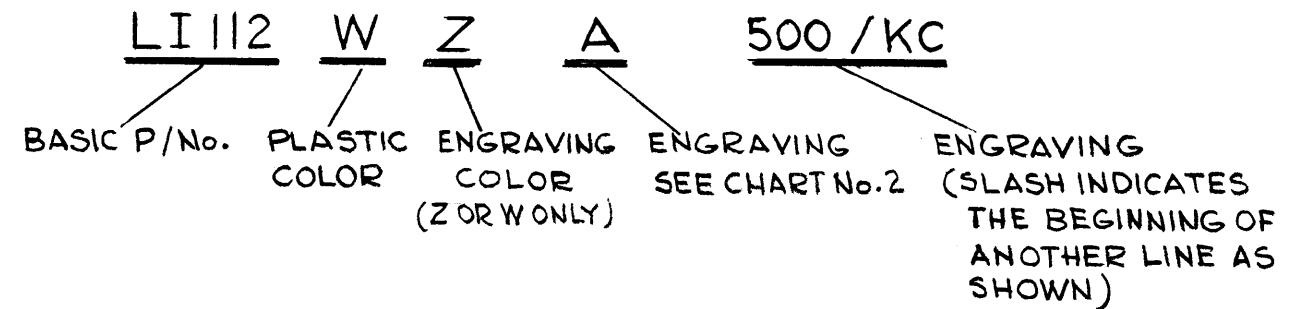
SYM	DESCRIPTION	DATE	E.M.N. NO.	DRAFT	CHKD	APPD
∅	ORIGINAL RELEASE FOR PRODUCTION	9/2/65	∅	✓		

— SPECIFICATIONS —

COLOR : SEE CHART No 1
 TRANSMITTANCE : TRANSLUCENT
 NON ROTATING : YES
 RETENTION : SNAP-IN
 ENGRAVING : SEE CHART No 2
 LAMP ACCOMODATION : TMC BI 110
 MAXIMUM TEMPERATURE : 85°C



TMC PART No. SHALL BE IN THE FOLLOWING FORM:



NOTES

Q'TY./UNIT	MODEL USED ON	ASS'Y. NO.
SCALE 1:1	CODE	S401-393 (L60)
THE CONTENTS OF THIS DRAWING ARE THE EXCLUSIVE PROPERTY OF THE TECHNICAL MATERIEL CORP. ITS UNAUTHORIZED USE OR REPRODUCTION IN WHOLE OR IN PART IS STRICTLY FORBIDDEN.		

REQ'D.	ITEM	PART NUMBER	DESCRIPTION	SYMBOL
LIST OF MATERIAL				
MATERIAL		THE TECHNICAL MATERIEL CORP. MAMARONECK, NEW YORK		
FINISH		TITLE LENS, INDICATOR LIGHT, ENGRAVED		
UNLESS OTHERWISE SPECIFIED DIMENSIONS ARE IN INCHES AND INCLUDE CHEMICALLY APPLIED OR PLATED FINISHES		DRAWN G.D.L	DATE 9-2-65	FINAL APPROVAL
DECIMALS .X ± .05 .XX ± .01 .XXX ± .005		CHECKED JHC	DATE 8/2/65	DATE 9/2/65
FRACTIONS ± 1/64 ANGLES ± 0° 30'		ELECT. DWS.	DATE	DATE
TOLERANCES		MECH. DES. ZRD	DATE 9/2/65	DATE
			SHEET	REV. LTR.