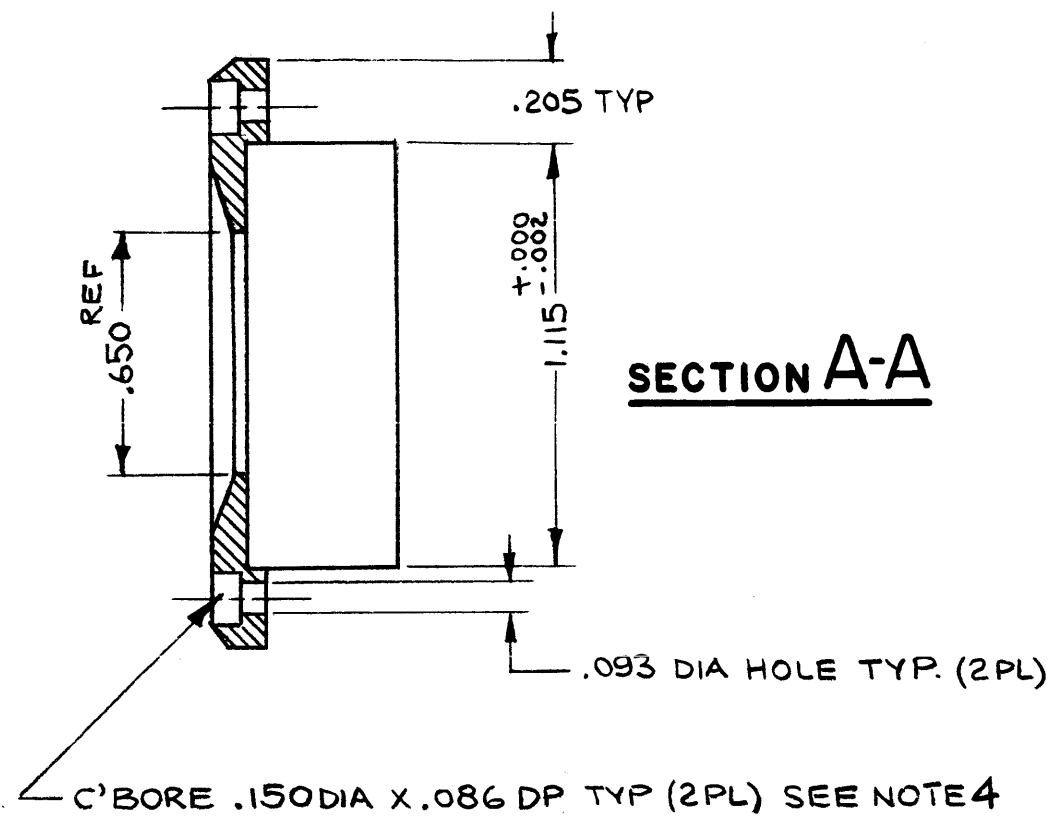
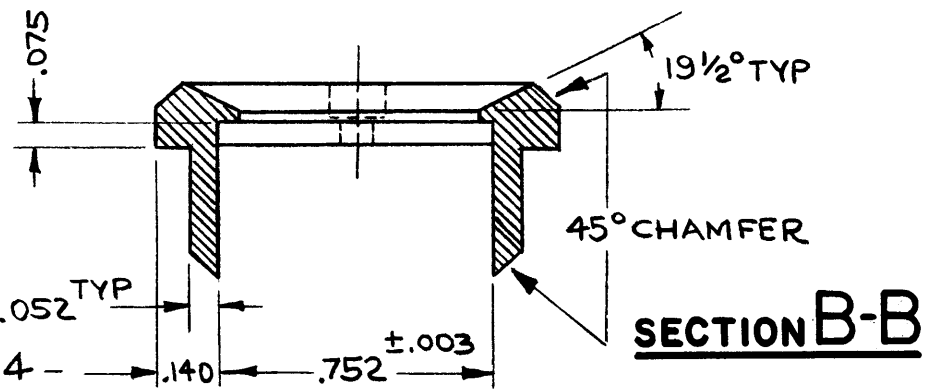


LI110

REVISIONS						
SYM	DESCRIPTION	DATE	E.M.N. NO.	DRAFT	CHKD	APPD
X	EXPERIMENTAL RELEASE	12.7.64	X	JB		
Ø	ORIGINAL RELEASE FOR PRODUCTION	12.9.64	Ø	94		



- NOTES:
1. BLEND EDGE OF 19 1/2° CHAMFER TO EDGE OF 45° CHAMFER (2 SIDES)
 2. MAT'L. -HI IMPACT POLYSTYRENE COLOR - BLACK
 3. DULL, NON REFLECTIVE SURFACES
 4. 0° DRAFT ANGLE
 5. CORNER RADII .010 MAX



STANDARD DRAWING

REQ'D.	ITEM	PART NUMBER	DESCRIPTION	SYMBOL
LIST OF MATERIAL				
MATERIAL		SEE NOTE 2	THE TECHNICAL MATERIEL CORP. MAMARONECK, NEW YORK	
FINISH		SEE NOTE 3	TITLE LENS, INDICATOR	
UNLESS OTHERWISE SPECIFIED DIMENSIONS ARE IN INCHES AND INCLUDE CHEMICALLY APPLIED OR PLATED FINISHES			DRAWN JB 12.7.64	FINAL APPROVAL RAC DATE
DECIMALS .X ± .05 .XX ± .01 .XXX ± .005			CHECKED @ 12-7-64	DATE
FRACTIONS ± 1/64 ANGLES ± 0° 30'			ELECT. DES.	DATE
TOLERANCES			MECH. DES.	DATE
			12-7-64	12-7-64
				LI110
				Ø
				REV. LTR.

NOTES

RTIA		
Q'TY./UNIT	MODEL USED ON	ASS'Y. NO.
SCALE 2:1	CODE C	5401-326 (31501)
THE CONTENTS OF THIS DRAWING ARE THE EXCLUSIVE PROPERTY OF THE TECHNICAL MATERIEL CORP. ITS UNAUTHORIZED USE OR REPRODUCTION IN WHOLE OR IN PART IS STRICTLY FORBIDDEN.		