

THE CONTENTS OF THIS DRAWING ARE THE EXCLUSIVE PROPERTY OF THE TECHNICAL MATERIEL CORP. ITS UNAUTHORIZED USE OR REPRODUCTION IN WHOLE OR IN PART IS STRICTLY FORBIDDEN.

REQ. PER UNIT

USED ON

MODEL

ASS'Y. NO.

DATE

10-24-61

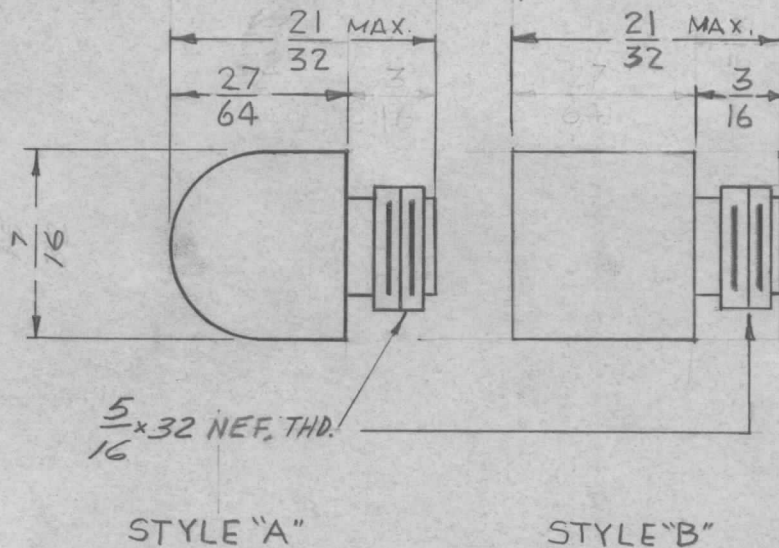
LI-102

B

NOTE:

STANDARD DRAWING

- 1) LENSES ARE TRANSPARENT EXCEPT FOR LI 102-5 WHICH IS TRANSLUCENT.
- 2) LI 102-1 SHALL HAVE A MINIMUM TRANSMISSION OF 0.070 AT 2360°K.
- 3) MATING LENS FOR SOCKET TS 153 FOR SPARE PARTS USE ONLY.
- 4) FOR BULB SHIELD SEE PO 230-1



STYLE "A"

STYLE "B"

REF: TS 153

STYLE	TMC PART NO.	MFG. NO.	LENS COLOR
A	LI-102-1	162-0931-502	IDENTIFICATION RED
A	LI 102-2	162-0932-502	IDENTIFICATION GREEN
A	LI-102-3	162-0933-502	AVIATION YELLOW
A	LI 102-4	162-0934-502	AVIATION BLUE
A	LI 102-5	162-0935-502	AVIATION WHT. DIFFUSING
A	LI 102-6	NOT AVAILABLE	
A	LI 102-7	162-0937-502	COLORLESS
B	LI 102-8	162-8430-1471-502	IDENT. RED
B	LI 102-9	162-8430-1472-502	IDENT. GREEN
B	LI 102-10	162-8430-1473-502	AVIA. YELLOW
B	LI 102-11	162-8430-1474-502	AVIA. BLUE
B	LI 102-12	162-8430-1475-502	AVIA. WHT. DIFFUSING
B	LI 102-13	162-8430-1476-502	LIGHT YELLOW
B	LI 102-14	162-8430-1477-502	COLORLESS

EXCEPT FOR LI-102-5 WHICH IS TRANSLUCENT.

LENSES ARE TRANSPARENT EXCEPT FOR LI-102-5 WHICH IS TRANSLUCENT.

LI 102-1 SHALL HAVE A MINIMUM TRANSMISSION OF 0.070 AT 2360°K.

REQ.	ITEM	PART NO.	DESCRIPTION	SYMBOL
B	STYLE "B" ADDED & PART NO. 8 THRU 14 ADDED	10, 30, 67 18579	NEG. <i>WY</i> EFM	
A	COMPLETELY REVISED	11/14/65 15192	F.V. <i>gcb</i> <i>g</i>	
UNLESS OTHERWISE SPECIFIED:		SCALE: 5401-153 (162)		
DIMENSIONS ARE IN INCHES.		MAXIMUM ALLOWABLE TOLERANCES HAVE BEEN DETERMINED AND ANY DEVIATIONS WILL BE CAUSE FOR REJECTION. REMOVE ALL BURRS AND SHARP EDGES		
TOLERANCES ON		TYPE & TEMPER HEAT TREAT. SPEC.		
FRAC. ± 1/64 DEC. ± .005 ANGLES ± 1/2°		FINISH & SPEC. NO.		
		ELEC. DES. APP. MECH. DES. APP.		
		DRAWN <i>W.S.</i> 10-24-61		CHECKED <i>gcb</i>
		FINAL APPROVAL <i>SKM</i>		
		LI-102		B