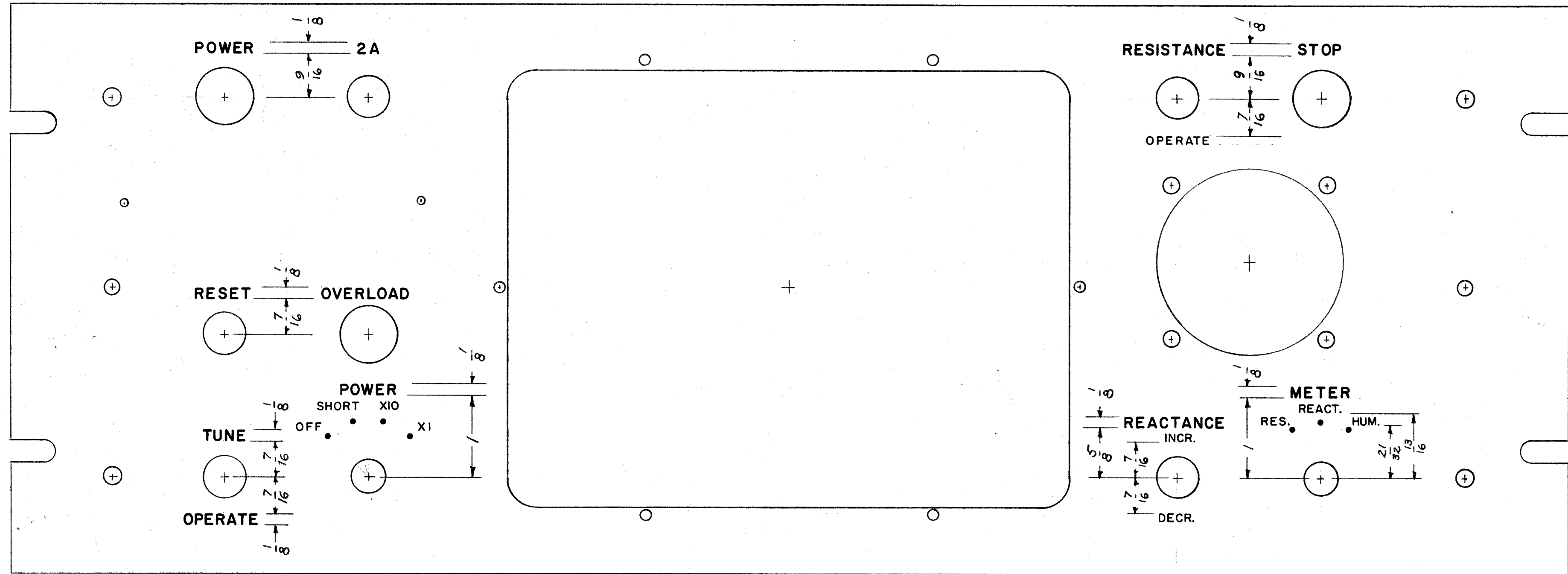
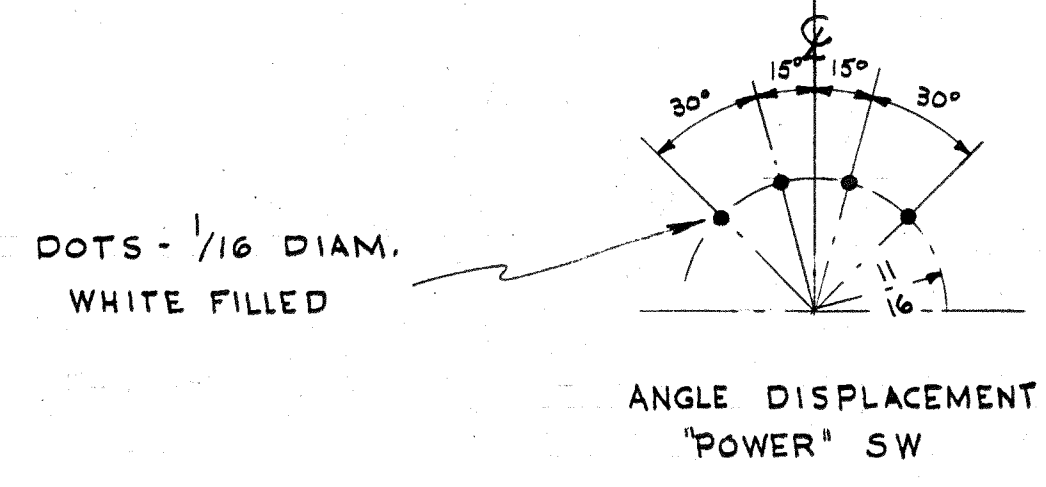


IF IT IS FOUND DESIRABLE TO CHANGE ANY TOLERANCE OR OTHER DETAIL SPECIFIED ON THIS DRAWING NOTIFY THE PURCHASER PROMPTLY.
 MAXIMUM ALLOWABLE TOLERANCES HAVE BEEN DETERMINED AND DEVIATIONS WILL BE CAUSE FOR REJECTION.
 REMOVE ALL BURRS AND SHARP EDGES

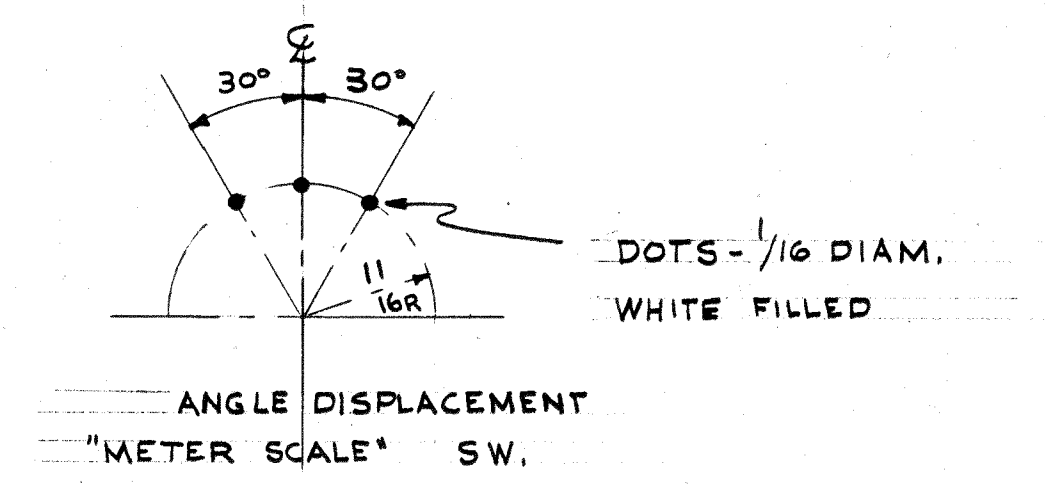


FRONT VIEW OF PANEL SHOWN
 (TO BE ENGRAVED)
 PER TMC SPEC - 5566



NOTES:
 ALL LETTERING TO BE 3/32" HIGH UNLESS OTHERWISE NOTED.
 ALL LETTERING TO BE BLACK FILLED GOTHIC.

LETTER HEIGHT	DEPTH OF STROKE	WIDTH OF STROKE
3/32	.010	.015
1/8	.010	.020



NOTICE TO PERSONS RECEIVING THIS DRAWING
 THE TECHNICAL MATERIEL CORPORATION claims proprietary right in the material disclosed herein. This drawing is issued in confidence for engineering information only and may not be reproduced or used to manufacture any like shown herein without permission from THE TECHNICAL MATERIEL CORPORATION in New York. This drawing is loaned for individual assistance and is subject to recall at any time.
 THE TECHNICAL MATERIEL CORPORATION
 240-200TH ST., NEW YORK

REVISE	NO	HOLES	DATE	BY	CHKD	APP.
B	1	REVISE NP HOLES	8-17-50	21673	WJB	
A	1	SHEET NO #2 Added	7-61	4595	RU	

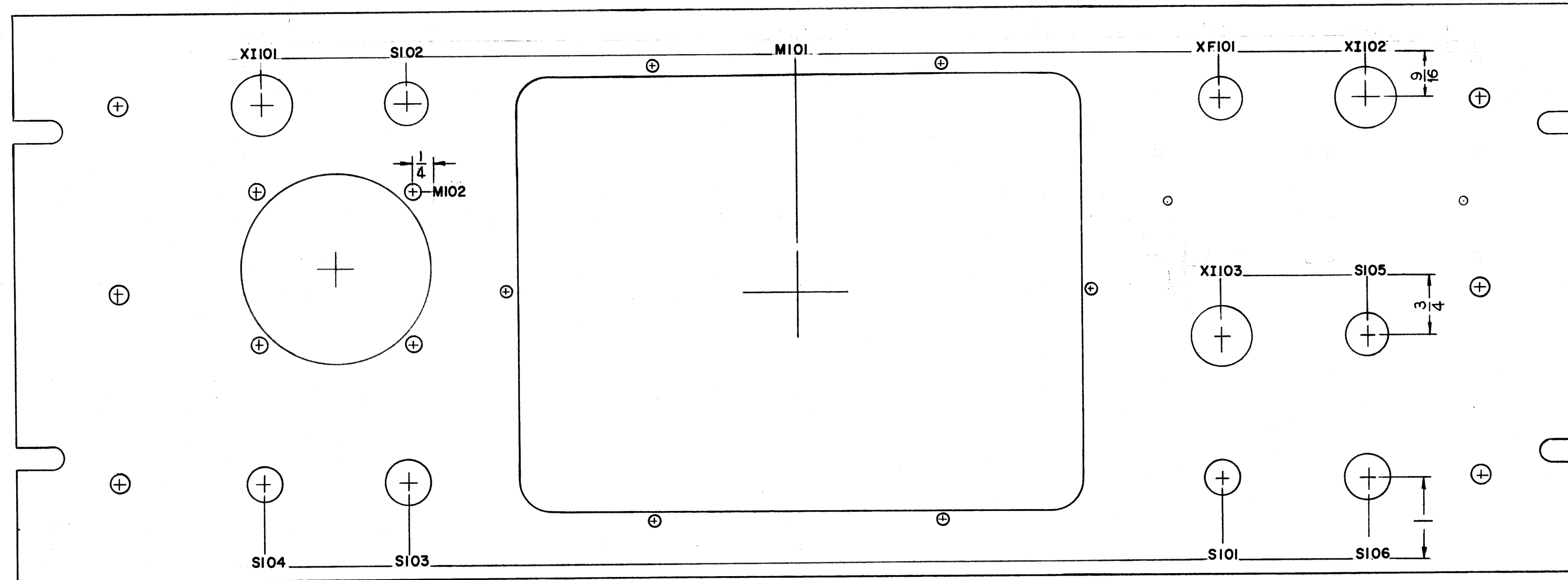
SCALE: DRILL, PUNCH, COMMERCIAL STOCK SIZES AND MANUFACTURERS TOLERANCES ARE NOT INCLUDED.

1	MCU-2	ATS-50 (10)	4-23-50
REQ PER UNIT	MODEL	PROJECT NO.	DATE
		ASSY. NO.	

REF: MS-1751	MACHINING		
REQ. ITEM	PART NO.	DESCRIPTION	SYMBOL
3/16		THE TECHNICAL MATERIEL CORP. MAMARONECK, NEW YORK	
ALUMINUM		ENGRAVING, FRONT PANEL	
MATERIAL	WEIGHT PER PC.	MODEL	MCU-2
2024-T3		DRAWN	WJB
TYPE & TEMPER		ECG. DES. APP.	WJB
HEAT TREAT SPEC.		CHECKED	WJB
SEE NOTE		FINAL APPROVAL	LD-538 B
FINISH & SPEC. NO.			

LD-538 B

WARNING TO PERSONS RECEIVING THIS DRAWING
 THE TECHNICAL MATERIEL CORPORATION claims proprietary right in the material disclosed hereon. This drawing is issued in confidence for engineering information only and may not be reproduced or used to manufacture any time shown hereon without permission from THE TECHNICAL MATERIEL CORPORATION to the user. This drawing is loaned for mutual assistance and is subject to recall at any time.
 Property of:
 THE TECHNICAL MATERIEL CORPORATION
 MAMARONECK, NEW YORK



REAR VIEW OF PANEL SHOWN

LETTERING TO BE 1/8 HIGH BLACK GOTHIC,
 CENTERED ON HOLES UNLESS OTHERWISE SPECIFIED

MARKING PROCESS: AS PER T.M.C. SPECIFICATION S-727

REF. MS-1751

REV. NO.	DESCRIPTION	DATE	CH. NO.	DRAFTS	CHECKER	ENG. APP.
B	REVISE NAMEPLATE HOLES	8-17-78	21673			
A	Dwg. Made as 2nd Sheet of (LD-538)	4-7-61	4596	RU		
UNLESS OTHERWISE SPECIFIED:		SCALE				
DIMENSIONS ARE IN INCHES		MAXIMUM ALLOWABLE TOLERANCES HAVE BEEN DETERMINED AND ANY DEVIATIONS WILL BE CAUSE FOR REJECTION. REMOVE ALL BURRS & SHARP EDGES				
TOLERANCES ON FRACTIONS ± 1/64		DECIMALS ± .005		ANGLES ± 1/2°		

REQ. PER UNIT	MODEL	SECTION	ASSY. NO.	DATE
1	MCU-2	ATS-50(70)		4-7-61
USED ON				

REQ. ITEM	PART NO.	DESCRIPTION	SYMBOL
		THE TECHNICAL MATERIEL CORP. MAMARONECK, NEW YORK	
		LETTERING - FRONT PANEL	
		REAR	
	UZZO	DRAWN	
		CHECKED	
		FORMAL APPROVAL	
		LD-538	B
		SHEET	OF 2 OF 2

LD-538 B