

5

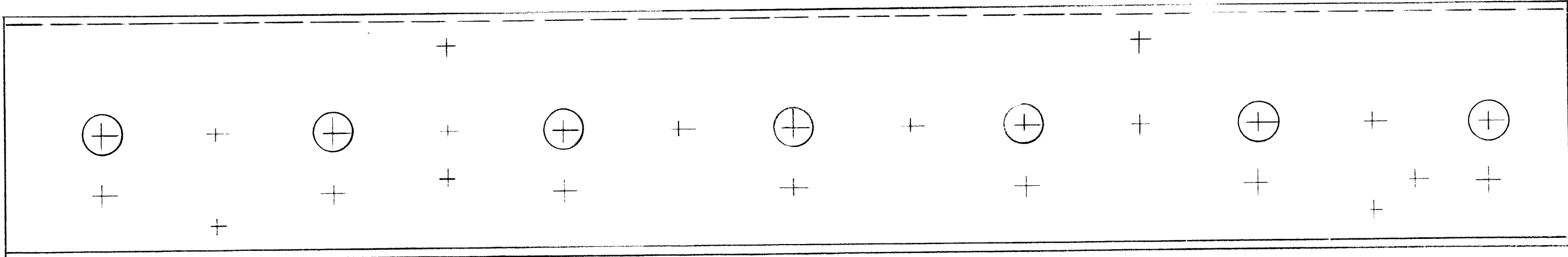
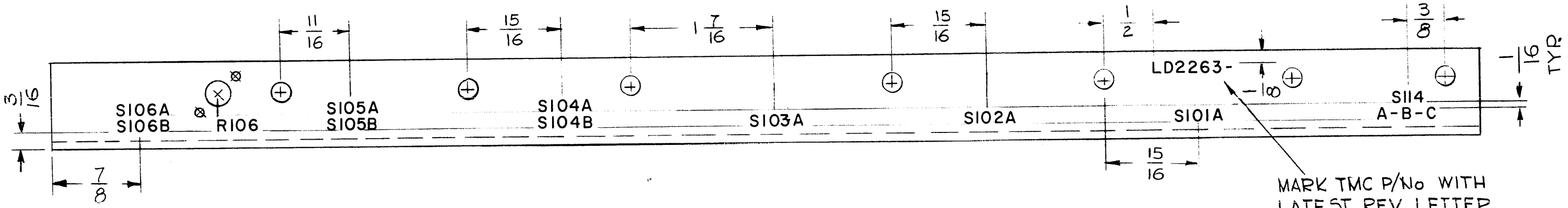
4

3

2

1

REVISIONS						
ZONE	LTR	DESCRIPTION	DATE	E.M.N.NO	DRAFT	CHKD
	X	EXP. RELEASE	11-3-67		G.D.L	<i>[Signature]</i>
	Ø	ORIG. RELEASE FOR PROD.	11-3-67	Ø	RG	<i>[Signature]</i>



MARKING PROCESS: AS PER TMC SPECIFICATION S-727.

LETTERING: 1/8 HIGH BLACK GOTHIC, LOCATED AS SHOWN.

1	LFE-1	BMA 117
QTY / UNIT	MODEL USED ON	ASS'Y NO.
APPLICATION		
	CODE A	5401-451

NOTICE TO PERSONS RECEIVING THIS DRAWING
 THE TECHNICAL MATERIEL CORPORATION claims proprietary right in the material disclosed hereon. This drawing is issued in confidence for engineering information only and may not be reproduced or used to manufacture anything shown hereon without permission from THE TECHNICAL MATERIEL CORPORATION to the user. This drawing is loaned for mutual assistance and is subject to recall at any time.

REF: MS6007

REQ'D	ITEM	PART NUMBER	DESCRIPTION	SYM.
		O-POSE	LIST OF MATERIAL	
THE TECHNICAL MATERIEL CORP. MAMARONECK, NEW YORK				
MARKING, BRACKET, MTG SWITCH				
SIZE	CODE IDENT. NO.	DWG NO.	ISSUE	
B	82679	LD2263	Ø	
SCALE	1:1		SHEET OF	

5

4

3

2

1