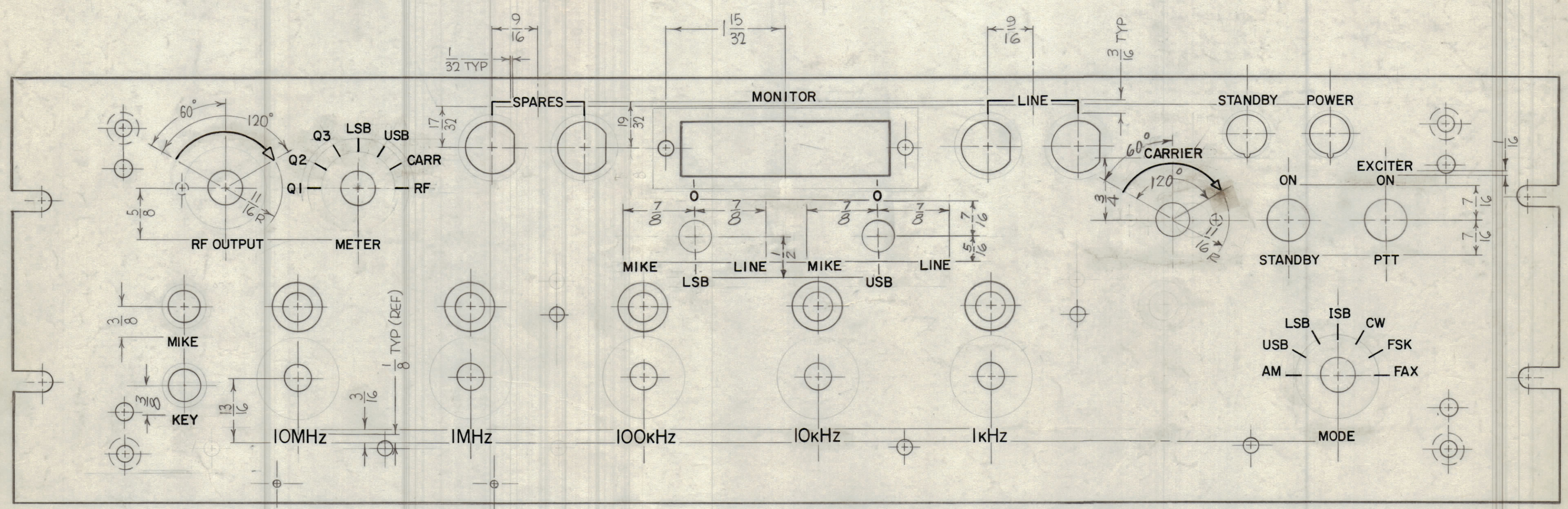
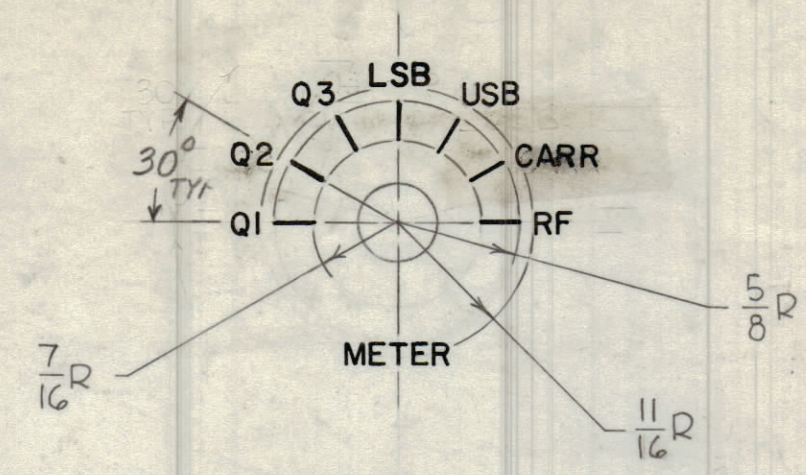
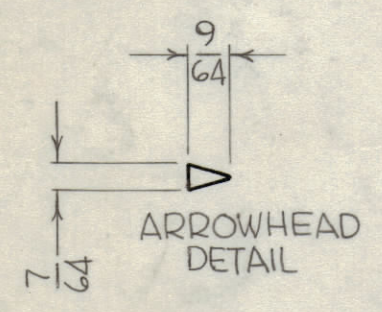


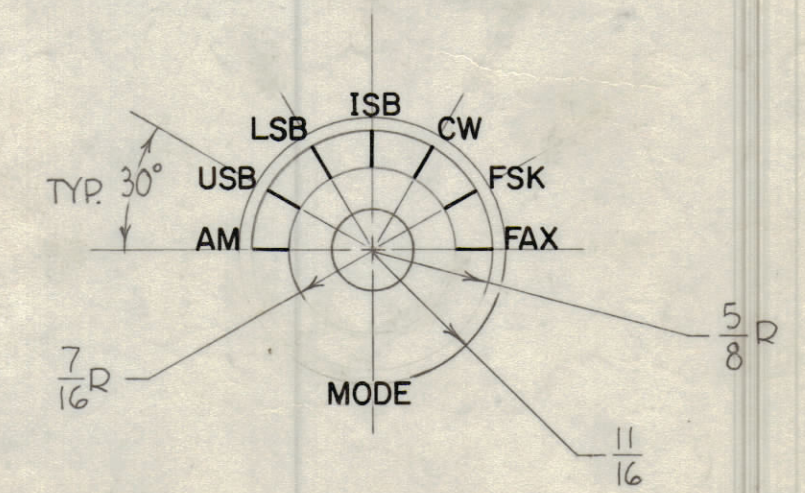
REVISIONS					
ZONE	SYM	DESCRIPTION	DATE	E.M.N. NO.	APPD
X1		HOLES FOR 100HZ DIAL DELETED SEE SH 2	1-18-67		UHO
X2		SEE SHEET 2 OF 2	4-24-67	X2	EDL
Ø		ORIGINAL RELEASE FOR PRODUCTION	4-11-69		HCA



FRONT OF PANEL SHOWN



HEIGHT OF LETTER	DEPTH OF STROKE	WIDTH OF STROKE
1/8	.010	.020
3/16	.010	.025
LINES	.010	.015
ARROWHEADS	.010	SEE DETAIL



- UNLESS OTHERWISE SPECIFIED:
- 1- ENGRAVING TO BE 1/8 HIGH GOTHIC, WHITE FILLED.
 - 2- ALL LINES TO BE WHITE FILLED.
 - 3- ALL ARROWHEADS TO BE WHITE OUTLINE FILL.
 - 4- ALL LETTER GROUPS TO BE CENTERED ON HOLES, CUTOUTS OR INDICATING LINES.
 - 5- ALL ENGRAVING AS PER TMC SPEC. S566.

NOTES

MMX-1	BMA 100
MODEL USED ON	ASS'Y. NO.
CODE A	5401-451
SCALE 1:1	

REF: MS 6062

REQ'D.	ITEM	PART NUMBER	DESCRIPTION	SYMBOL
Ø	POSE		LIST OF MATERIAL (SK 8246-2, SH 1 of 2)	
MATERIAL		THE TECHNICAL MATERIEL CORP. MAMARONECK, NEW YORK		
FINISH		TITLE MARKING, FRONT PANEL		
DRAWN	HCA	DATE	1-10-67	FINAL APPROVAL
CHECKED	JCB	DATE	1-18-67	
ELECT. DES.		DATE		
MECH. DES.		DATE	4/11/69	

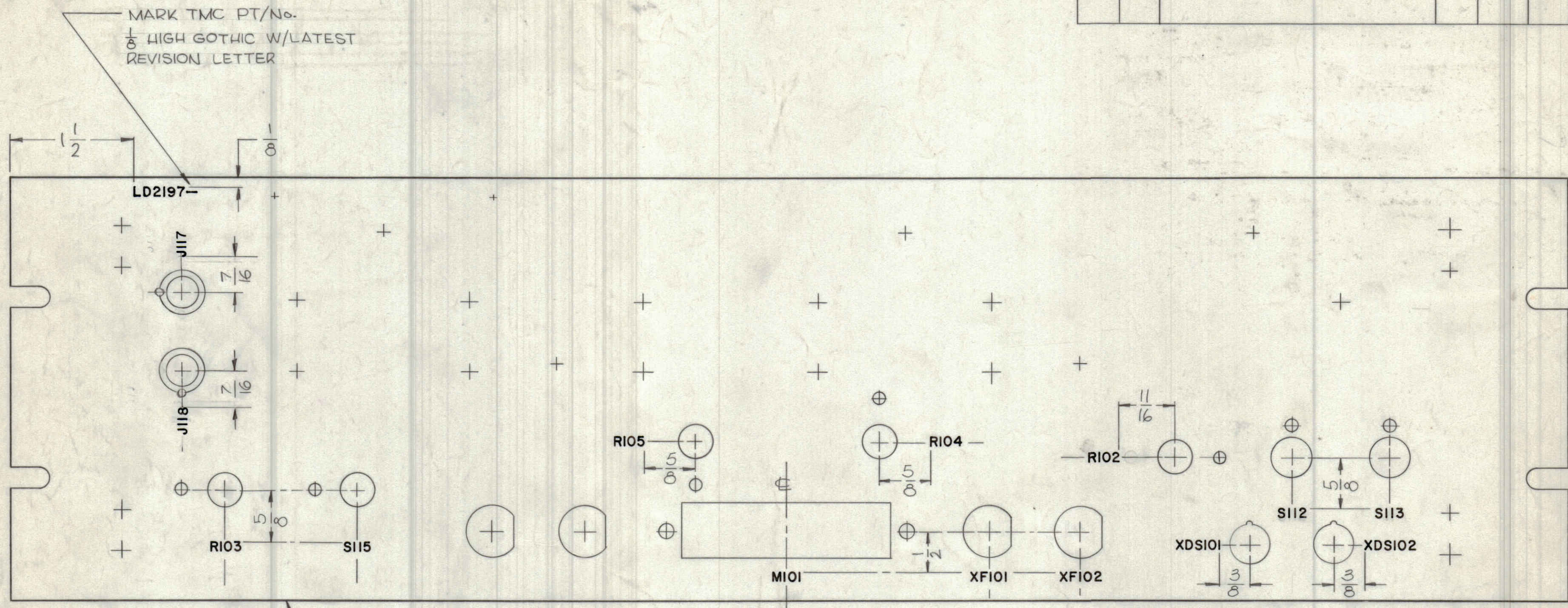
UNLESS OTHERWISE SPECIFIED DIMENSIONS ARE IN INCHES AND INCLUDE CHEMICALLY APPLIED OR PLATED FINISHES

DECIMALS	FRACTIONS
.X ± .05	± 1/64
.XX ± .01	ANGLES ± 0° 30'
.XXX ± .005	

LD2197

LD2197

REVISIONS						
ZONE	LTR	DESCRIPTION	DATE	E.M.N.NO	DRAFT	CHKD APPD
	X1	ADDED SHEET 2 (SEE SH. 1)	11/17/67			
	X2	DIM 7/16 FOR J117 & J118 WAS 3/8	4-24-67		GDL	
	Ø	ORIGINAL RELEASE FOR PRODUCTION	4/11/69	~	WW	



MARK TMC PT/No.
 1/8 HIGH GOTHIC W/LATEST
 REVISION LETTER

TOP OF PANEL

REAR VIEW OF PANEL SHOWN

UNLESS OTHERWISE SPECIFIED
 MARKING PROCESS: AS PER TMC SPECIFICATION S727.
 LETTERING: 1/8 HIGH BLACK GOTHIC, LOCATED AS SHOWN.

REF: MS6062

QTY. REQ.	ITEM	PART NO.	DESCRIPTION	SYMBOL
O. POSE LIST OF MATERIAL				
UNLESS OTHERWISE SPECIFIED DIMENSIONS ARE IN INCHES AND INCLUDE CHEMICALLY APPLIED OR PLATED FINISHES		FINAL APPROVAL	DATE	THE TECHNICAL MATERIEL CORP. MAMARONECK, NEW YORK MARKING - PANEL, FRONT
TOLERANCES ON		MECH. DES.	DATE	
DECIMALS .X ± .05 .XX ± .01 .XXX ± .005		ELECT. DES.	DATE	
FRACTIONS ± 1/64 ANGLES ± 0° -30'		CHECKED	DATE	
MATERIAL		DRAWN	DATE	SCALE C 82679 LD2197 SHEET 2 OF 2
FINISH				ISSUE

I	MMX-1	BMA 100
QTY / UNIT	MODEL USED ON	ASS'Y NO.
APPLICATION		
S401-451	CODE A	
NOTICE TO PERSONS RECEIVING THIS DRAWING THE TECHNICAL MATERIEL CORPORATION claims proprietary right in the material disclosed hereon. This drawing is issued in confidence for engineering information only and may not be reproduced or used to manufacture anything shown hereon without permission from THE TECHNICAL MATERIEL CORPORATION to the user. This drawing is loaned for mutual assistance and is subject to recall at any time.		