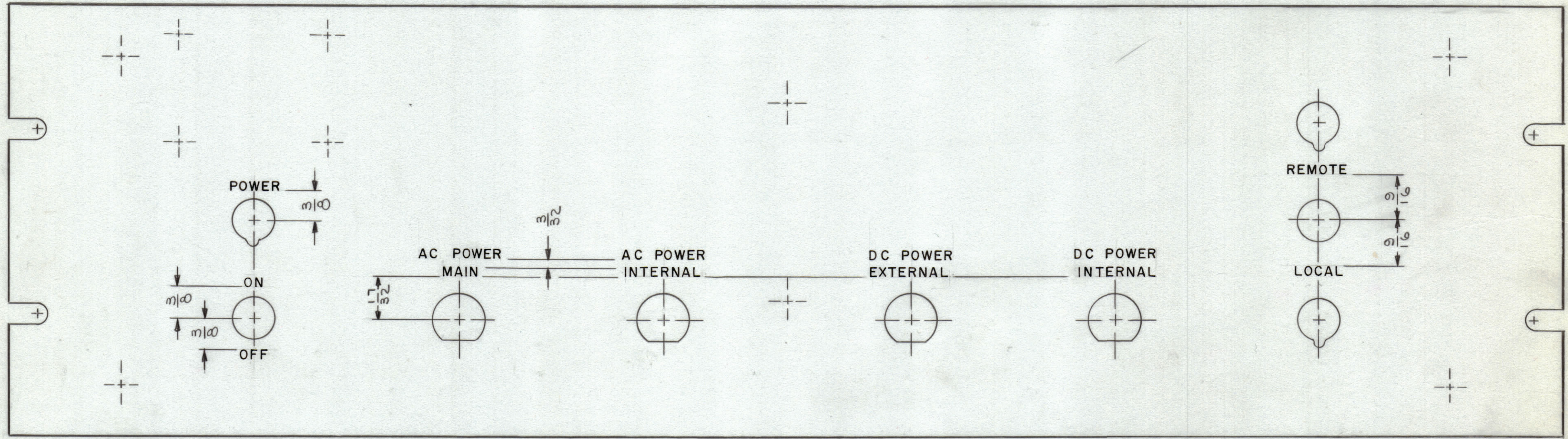


REVISIONS						
ZONE	SYM	DESCRIPTION	DATE	E.M.N. NO.	DRAFT	APPD
	Ø	ORIG. RELEASE FOR PRODUCTION	4/30/65		JL	



FRONT VIEW

- UNLESS OTHERWISE SPECIFIED -
- 1-ALL LETTER GROUPS TO BE CENTERED ON HOLES.
  - 2-ENGRAVING TO BE 1/8 HIGH GOTHIC, .010 DEEP, .020 WIDE WHITE FILLED.
  - 3-ENGRAVING AS PER TMC SPEC S566.

REF.: MS 4496

Q'TY./UNIT	MODEL USED ON	ASS'Y. NO.
1	LRCD-1	
1	LRCB-1	

REQ'D.	ITEM	PART NUMBER	DESCRIPTION	SYMBOL
F. E. EATON LIST OF MATERIAL				
MATERIAL		THE TECHNICAL MATERIEL CORP. MAMARONECK, NEW YORK		
FINISH		TITLE MARKING - PANEL, FRONT MARKING PROCESS-ENGRAVING		
UNLESS OTHERWISE SPECIFIED DIMENSIONS ARE IN INCHES AND INCLUDE CHEMICALLY APPLIED OR PLATED FINISHES		DRAWN J. LESHINSKI	DATE 4/20/65	FINAL APPROVAL <i>[Signature]</i>
TOLERANCES		CHECKED	DATE	DATE
DECIMALS .X ± .05 .XX ± .01 .XXX ± .005	FRACTIONS ± 1/64 ANGLES ± 0° 30'	ELECT. DES.	DATE	DATE
MECH. DES.		DATE	DATE	DATE
SHEET 1 OF 2		LD1855		Ø

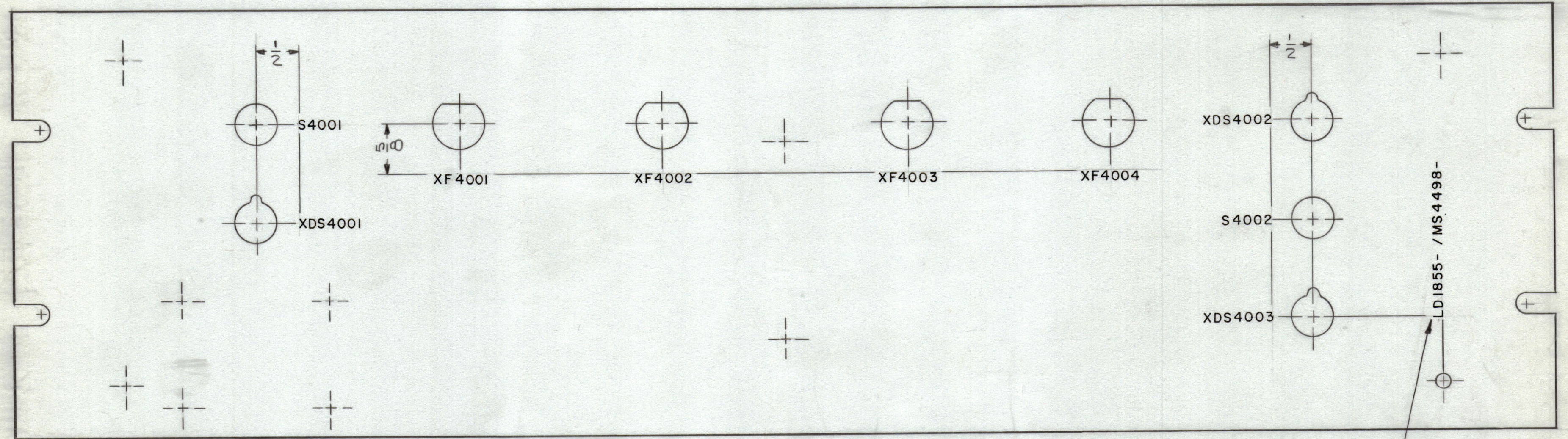
NOTES

THE CONTENTS OF THIS DRAWING ARE THE EXCLUSIVE PROPERTY OF THE TECHNICAL MATERIEL CORP. ITS UNAUTHORIZED USE OR REPRODUCTION IN WHOLE OR IN PART IS STRICTLY FORBIDDEN.

LD18550



REVISIONS					
ZONE	SYM	DESCRIPTION	DATE	E.M.N. NO.	APPD
	Ø	ORIG. RELEASE FOR PRODUCTION	4/30/65		JL



TOP  
- REAR VIEW -

MARK TMC PT NO. WITH LATEST REVISION LETTER

- UNLESS OTHERWISE SPECIFIED -
- 1- MARKING PROCESS : AS PER TMC SPEC S727.
  - 2- LETTERING : 1/8 HIGH BLACK GOTHIC, LOCATED AS SHOWN.

REF : MS4496

QTY./UNIT	MODEL USED ON	ASS'Y. NO.
1	LRCB-1	
1	LRCB-1	
SCALE 1/1	CODE	

REQ'D.	ITEM	PART NUMBER	DESCRIPTION	SYMBOL
F.E. EATON LIST OF MATERIAL				
MATERIAL		THE TECHNICAL MATERIEL CORP. MAMARONECK, NEW YORK		
FINISH		TITLE MARKING - PANEL, FRONT		
UNLESS OTHERWISE SPECIFIED DIMENSIONS ARE IN INCHES AND INCLUDE CHEMICALLY APPLIED OR PLATED FINISHES		DRAWN J. LESHINSKI	DATE 4/20/65	FINAL APPROVAL <i>[Signature]</i>
TOLERANCES		CHECKED <i>[Signature]</i>	DATE 4/29/65	DATE 4/30/65
DECIMALS .X ± .05 .XX ± .01 .XXX ± .005		ELECT. DES. <i>[Signature]</i>		DATE 4/30/65
FRACTIONS ± 1/64 ANGLES ± 0° 30'		MECH. DES. <i>[Signature]</i>		DATE 4/30/65
THE CONTENTS OF THIS DRAWING ARE THE EXCLUSIVE PROPERTY OF THE TECHNICAL MATERIEL CORP. ITS UNAUTHORIZED USE OR REPRODUCTION IN WHOLE OR IN PART IS STRICTLY FORBIDDEN.				REV. LTR.

NOTES

LD1855 Ø

LD1855 - Ø  
SHEET 2 OF 2