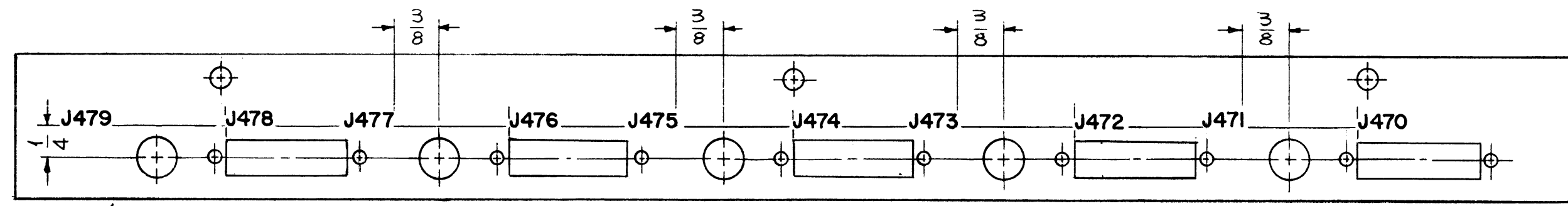


LD1612

REVISIONS						
SYM	DESCRIPTION	DATE	E.M.N. NO.	DRAFT	CHKD	APPD
X	EXPERIMENTAL RELEASE	9-23-64	X	SRG		
Ø	ORIGINAL RELEASE FOR PRODUCTION	9-28-64	Ø	RL		



FRONT VIEW

MARK TMC PART NO.
LD1612- /MS3999- WITH
LATEST REV. LETTER
(ON REAR OF BRACKET)

MARKING PROCESS: AS PER TMC SPECIFICATION S-727.
LETTERING: 1/8 HIGH BLACK GOTHIC, LOCATED AS SHOWN.

REF: MS3999

REQ'D.	ITEM	PART NUMBER	DESCRIPTION	SYMBOL
M. GELLMAN LIST OF MATERIAL				
MATERIAL		THE TECHNICAL MATERIEL CORP. MAMARONECK, NEW YORK		
FINISH		TITLE MARKING BRACKET, MTG. CONNECTORS, (MAIN CHASIS) MARKING PROCESS: AS PER TMC SPEC S-727		
UNLESS OTHERWISE SPECIFIED DIMENSIONS ARE IN INCHES AND INCLUDE CHEMICALLY APPLIED OR PLATED FINISHES		DRAWN	DATE	FINAL APPROVAL
		SRG	9-23-64	<i>[Signature]</i>
		CHECKED	DATE	
		<i>[Signature]</i>	9-28-64	
		ELECT. DES.	DATE	
		MECH. DES.	DATE	
		<i>[Signature]</i>	9-28-64	
SHEET				REV. LTR.
LD1612				Ø

1	LFSB-1	
Q'TY./UNIT	MODEL USED ON	ASS'Y. NO.
SCALE 1:1	CODE A	---
THE CONTENTS OF THIS DRAWING ARE THE EXCLUSIVE PROPERTY OF THE TECHNICAL MATERIEL CORP. ITS UNAUTHORIZED USE OR REPRODUCTION IN WHOLE OR IN PART IS STRICTLY FORBIDDEN.		

NOTES