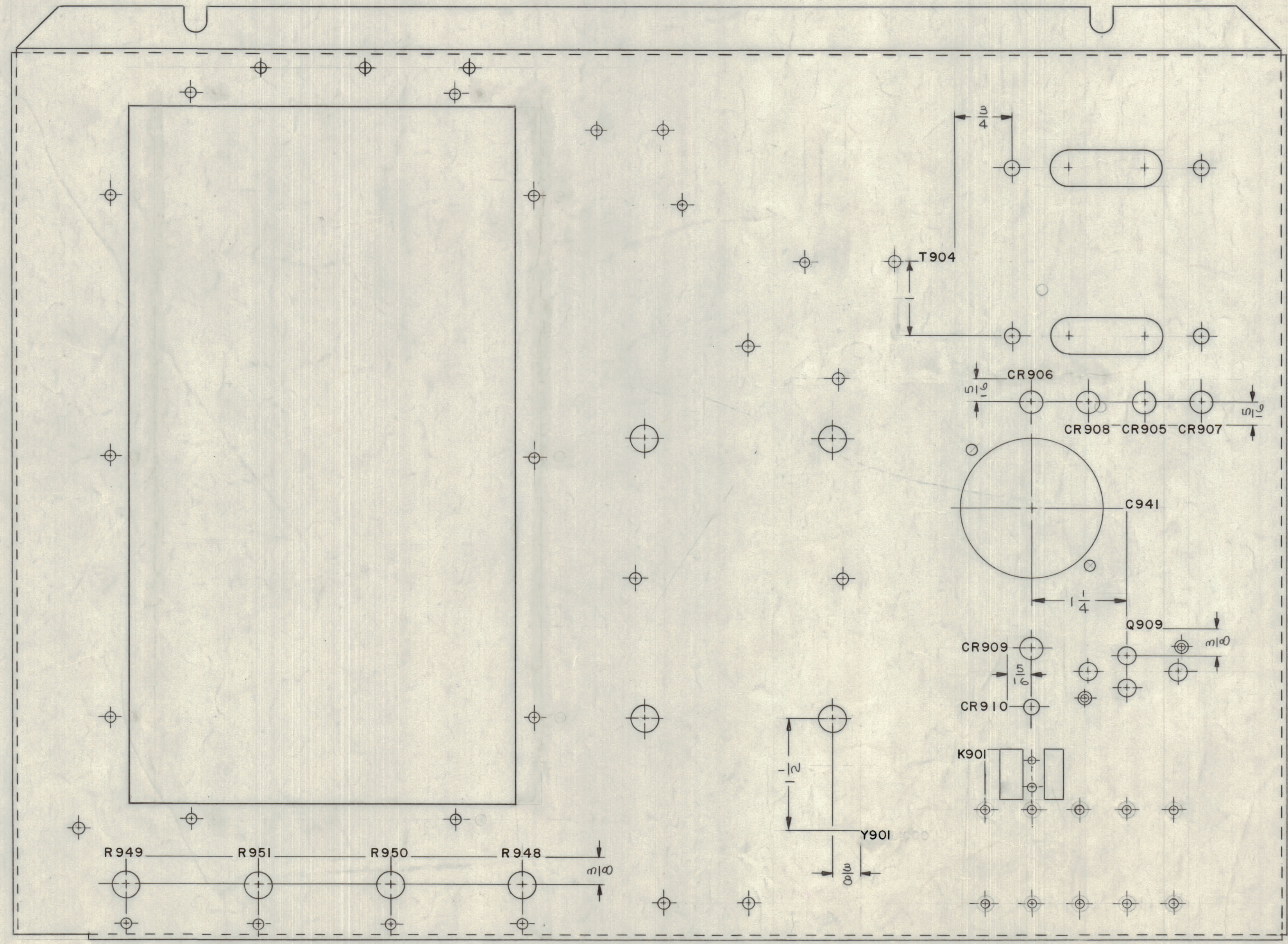
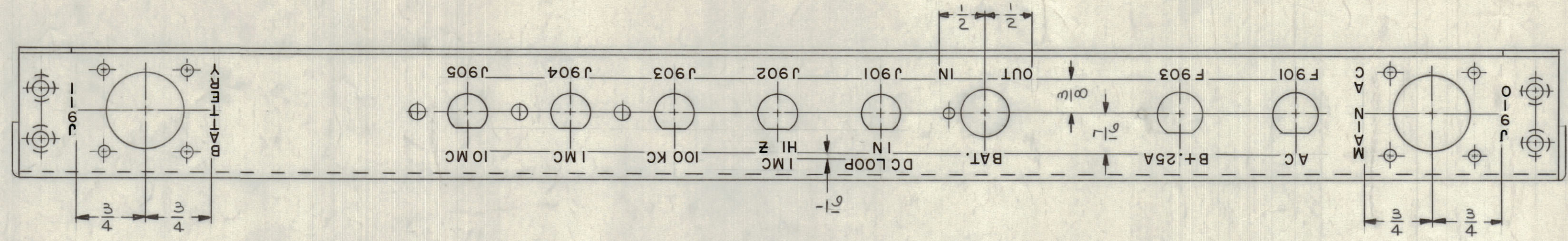


REVISIONS						
ZONE	SYM	DESCRIPTION	DATE	E.M.N. NO.	DRAFT	CHKD
-	XI	Y901 WAS JKTS100, K 901 ADDED J910 & J911 WERE P901 & P902	6/15/64	XI	A.M.	
-	Ø	ORIGINAL RELEASE FOR PRODUCTION	6/29/64		A.M.	
68,9	A	3 HOLES 11/64 DIA. ADDED	9-30-64	12488	ME	
E8	B	2 HOLES 1/8 DIA. ADDED	10-30-64	12794	RL	
D7	C	2 HOLES 9/64 DIA. ADDED	12-17-64	13128	RL	
E8,9	D	3 HOLES 5/32 DIA. ADDED.	1-18-65	13267	RL	



~UNLESS OTHERWISE SPECIFIED~  
 1-MARKING PROCESS: AS PER TMC SPECIFICATION S-727.  
 2-LETTERING: 1/8 HIGH BLACK GOTHIC, LOCATED AS SHOWN.

REF. MS 3711

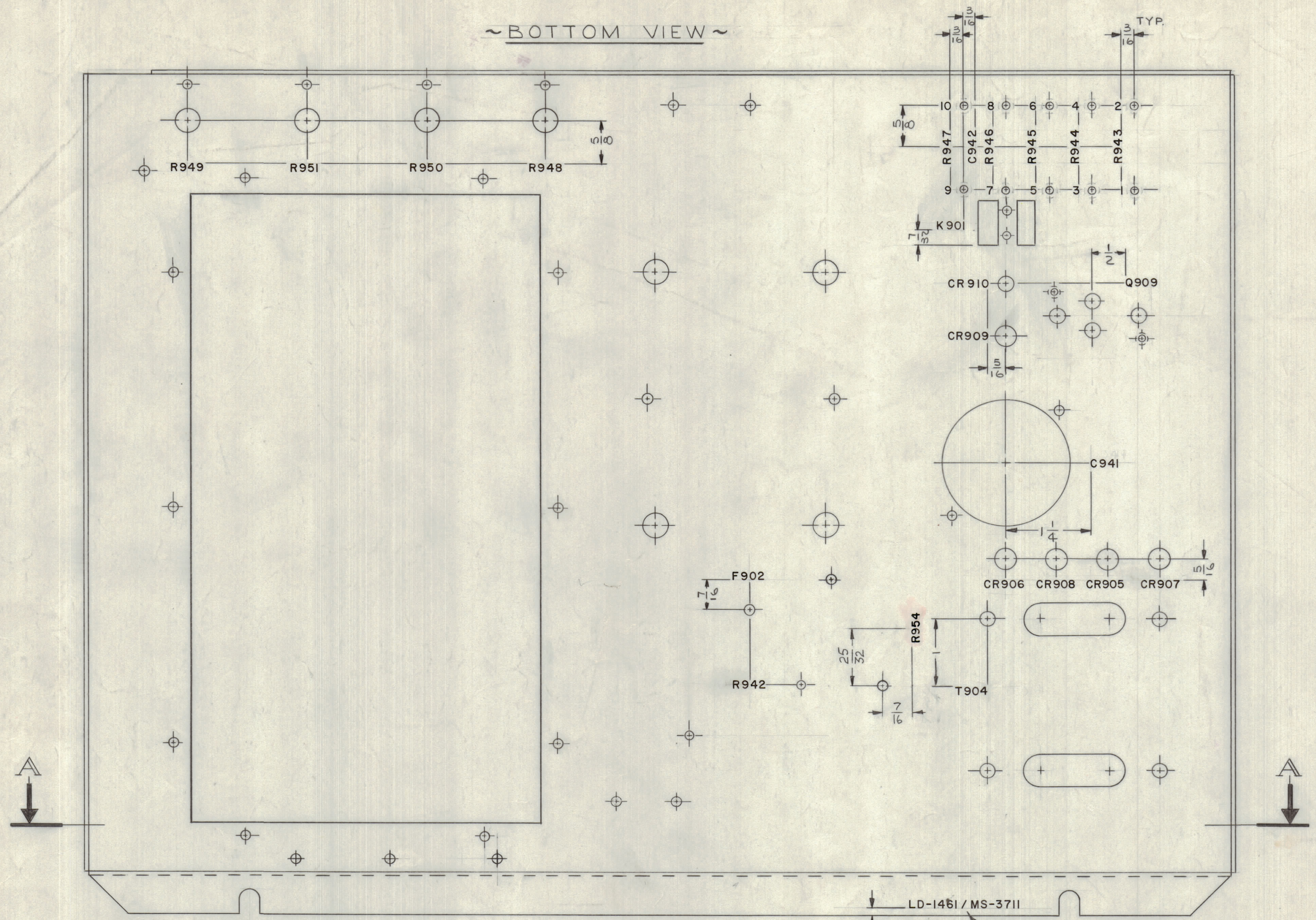
REQ'D.	ITEM	PART NUMBER	DESCRIPTION	SYMBOL
M. GELLMAN LIST OF MATERIAL				
MATERIAL			THE TECHNICAL MATERIEL CORP. MAMARONECK, NEW YORK	
FINISH			TITLE MARKING, CHASSIS, ELECT.-MAIN MARKING METHOD TMC S-727	
GTY./UNIT		MODEL USED ON	DRAWN	DATE
SCALE		CODE	CHECKED	DATE
1:1		A	J. LESHINSKI	4/15/64
ABS'Y. NO.		ELECT. DES.		DATE
		MECH. DES.		DATE
THE CONTENTS OF THIS DRAWING ARE THE EXCLUSIVE PROPERTY OF THE TECHNICAL MATERIEL CORP. ITS UNAUTHORIZED USE OR REPRODUCTION IN WHOLE OR IN PART IS STRICTLY FORBIDDEN.		DECIMALS	FRACTIONS	FINAL APPROVAL
		± .05	± 1/64	DATE
		± .01	ANGLES	DATE
		± .005	± 0° 30'	DATE

NOTES

LD 1461 D

REVISIONS							
ZONE	SYM	DESCRIPTION	DATE	E.M.N. NO.	DRAFT	CHKD	APPD
XI		J910 & J911 WERE P901 & P902	6/15/64	XI	A.M.		
		ORIGINAL RELEASE FOR PRODUCTION	6/29/64		A.M.		
AB,9	A	3 HOLES 1/64 DIA. ADD.	5/30/64	12489	JTB		
C8	B	2 HOLES 1/8 DIA. ADD.	10/30/64	12794	JTB		
D7	C	2 HOLES 9/64 ADD; R954 & LOC. DIM. ADD.	12/17/64	13178	JTB		
CB,9	D	3 HOLES 5/32 DIA. ADDED.	1/18/65	13267	JTB		

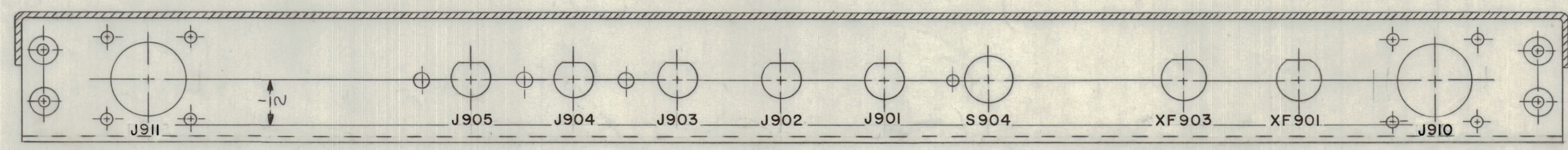
~ BOTTOM VIEW ~



LD-1461 / MS-3711  
 MARK TMC PART NO. WITH LATEST REVISION LETTERS

~ UNLESS OTHERWISE SPECIFIED ~

- 1- MARKING PROCESS: AS PER TMC SPECIFICATION S-727.
- 2- LETTERING: 1/8 HIGH BLACK GOTHIC, LOCATED AS SHOWN.



VIEW A-A

NOTES

1	CSS-2	
QTY./UNIT	MODEL USED ON	ASSY. NO.
SCALE 1:1	CODE A	

REF. MS 3711

REQ'D.	ITEM	PART NUMBER	DESCRIPTION	SYMBOL
M. GELLMAN LIST OF MATERIAL				
THE TECHNICAL MATERIEL CORP. MAMARONECK, NEW YORK				
TITLE: MARKING, CHASSIS, ELECT.-MAIN MARKING METHOD TMC S727				
UNLESS OTHERWISE SPECIFIED DIMENSIONS ARE IN INCHES AND INCLUDE CHEMICALLY APPLIED OR PLATED FINISHES		DRAWN J. LESHINSKI	DATE 4/15/64	FINAL APPROVAL RJC
DECIMALS ± .05 XX ± .01 XXX ± .005	FRACTIONS ± 1/64 ANGLES ± 0° 30'	CHECKED JTB	DATE 6/29/64	DATE 6/29/64
THE CONTENTS OF THIS DRAWING ARE THE EXCLUSIVE PROPERTY OF THE TECHNICAL MATERIEL CORP. ITS UNAUTHORIZED USE OR REPRODUCTION IN WHOLE OR IN PART IS STRICTLY FORBIDDEN.		ELECT. DES. JTB	DATE 6/29/64	DATE 6/29/64
		MECH. DES.	DATE	DATE

LD 1461 D  
 SHEET 2 OF 2