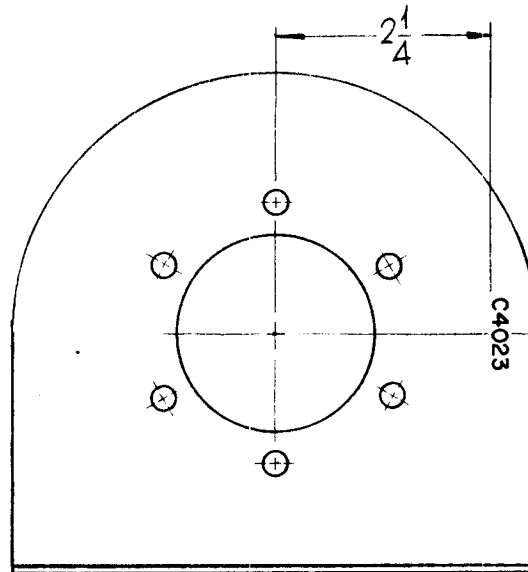
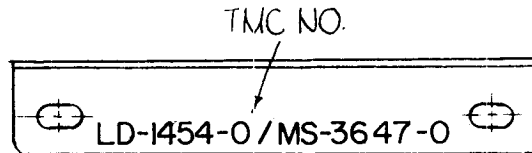


REQ. PER UNIT	USED ON			LD-1454	0
	MODEL	ASS'Y. NO.	DATE		
1	GPT-200K (AX-392)	A-3159	3-19-64		



MARKING PROCESS: AS PER TMC SPECIFICATION S-727.

LETTERING: 1/8 HIGH BLACK GOTHIC, LOCATED AS SHOWN.

REQ.	ITEM	PART NO.	F. BUDETTI DESCRIPTION				SYMBOL	
			THE TECHNICAL MATERIEL CORP. MAMARONECK. NEW YORK					
			STOCK SIZE					
0	ORIGINAL RELEASE FOR PROD	3-206A	MARKING PROCESS: AS PER TMC SPEC. S-727					
			MARKING, BRACKET, CAPACITOR MTG.					
SYM	DESCRIPTION	DATE	CH. NO.	DRAFTS	CHECKER	ENG. APP.	MATERIAL	
	UNLESS OTHERWISE SPECIFIED DIMENSIONS ARE IN INCHES AND INCLUDE CHEMICALLY APPLIED OR PLATED FINISHES	SCALE	1/2" = 1"					
DECIMALS .X ± .05 .XX ± .01 .XXX ± .005	TOLERANCES	FRACTIONS ± 1/64 ANGLES ± 0° 30'	CODE	A				
							SRG	
							QC8	
							RVL 4-7-64	
							TYPE & TEMPER	
							HEAT TREAT. SPEC.	
							DRAWN	
							CHECKED	
							FINAL APPROVAL	
							DD Mc	
							FINISH & SPEC. NO.	
							ELEC. DES. APP.	
							MECH. DES. APP.	
							LD-1454	
							0	