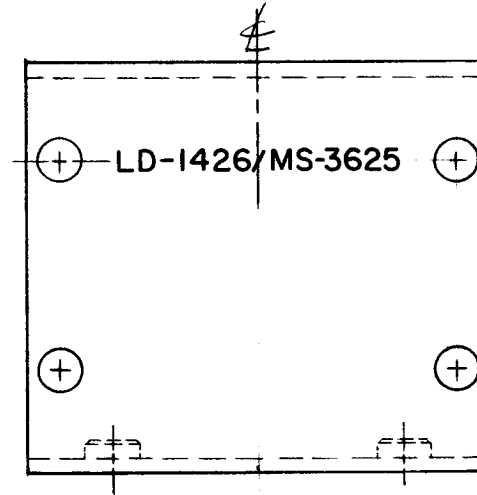
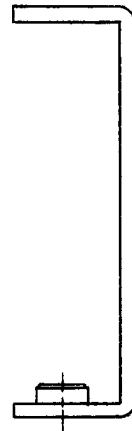
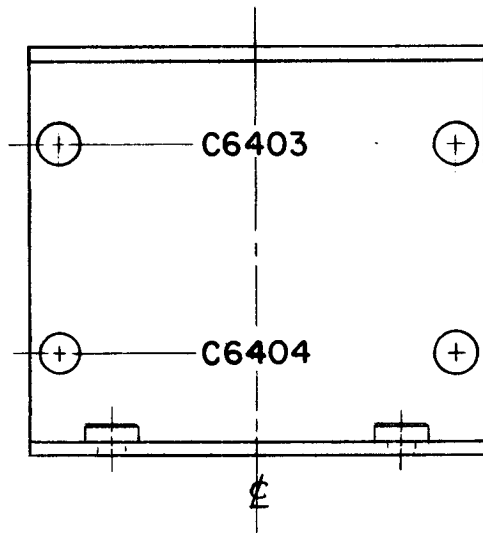


REQ. PER UNIT	USED ON			LD-1426 ○
	MODEL	ASS'Y. NO.	DATE	
1	MAF-1		2-14-64	



**MARKING PROCESS: AS PER TMC SPECIFICATION S-727.**

**LETTERING: 1/8 HIGH BLACK GOTHIC, LOCATED AS SHOWN.**

REF: MS-3625

REQ.	ITEM	PART NO.	DESCRIPTION				SYMBOL
		#	THE TECHNICAL MATERIEL CORP. MAMARONECK, NEW YORK				
○	ORIG. RELEASE FOR PROD.	4-24-64	A.M.	@			
XI	ORIGINAL DWG LOST REDRAWN	2/14/64	T.R.				
		#	MARKING, BRACKET, MOUNTING				
SYM	DESCRIPTION	DATE	CH. NO.	DRAFTS	CHECKER	ENG. APP.	MATERIAL
	UNLESS OTHERWISE SPECIFIED DIMENSIONS ARE IN INCHES AND INCLUDE CHEMICALLY APPLIED OR PLATED FINISHES	SCALE	1:1				# #
	DECIMALS .X ± .05 .XX ± .01 .XXX ± .005	FRACTIONS ± 1/64 ANGLES ± 0° 30'	CODE A				T. RAMIREZ DRAWN
	TOLERANCES						CHECKED
							FINAL APPROVAL
							LD-1426 ○
							ELEC. DES. APP. MECH. DES. APP.