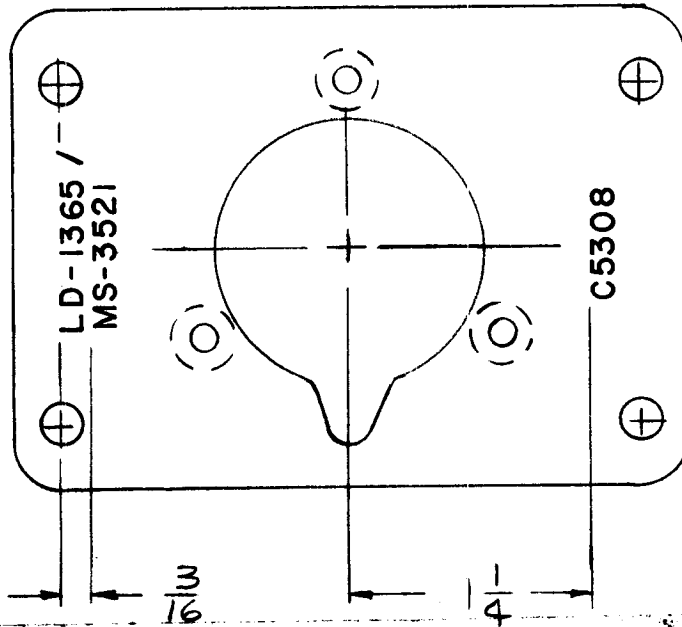


REQ. PER UNIT	USED ON			LD-1365 0
	MODEL	ASS'Y. NO.	DATE	
1	GPT-200K	AX-395	10-2-63	



MARKING PROCESS: AS PER TMC SPECIFICATION S-727.

LETTERING: 1/8 HIGH BLACK GOTHIC, LOCATED AS SHOWN

REQ.	ITEM	PART NO.	F. BUDETTI DESCRIPTION			SYMBOL
			THE TECHNICAL MATERIEL CORP. MAMARONECK. NEW YORK			
			LETTERING, PLATE, METERING			
			CIRCUIT MTG.			
0	ORIGINAL RELEASE	5.16.64	WFB			
SYM	DESCRIPTION	DATE	CH. NO.	DRAFTS	CHECKER	ENG. APP.
UNLESS OTHERWISE SPECIFIED DIMENSIONS ARE IN INCHES AND INCLUDE CHEMICALLY APPLIED OR PLATED FINISHES		SCALE				
DECIMALS: .X ± .05 .XX ± .01 .XXX ± .005		TOLERANCES				
FRACTIONS ± 1/64 ANGLES ± 0° 30'		CODE				
					A TURSI	QA
					DRAWN	CHECKED
					FINISH & SPEC. NO.	ELEC. DES. APP.
						MECH. DES. APP.
						LD-1365 0