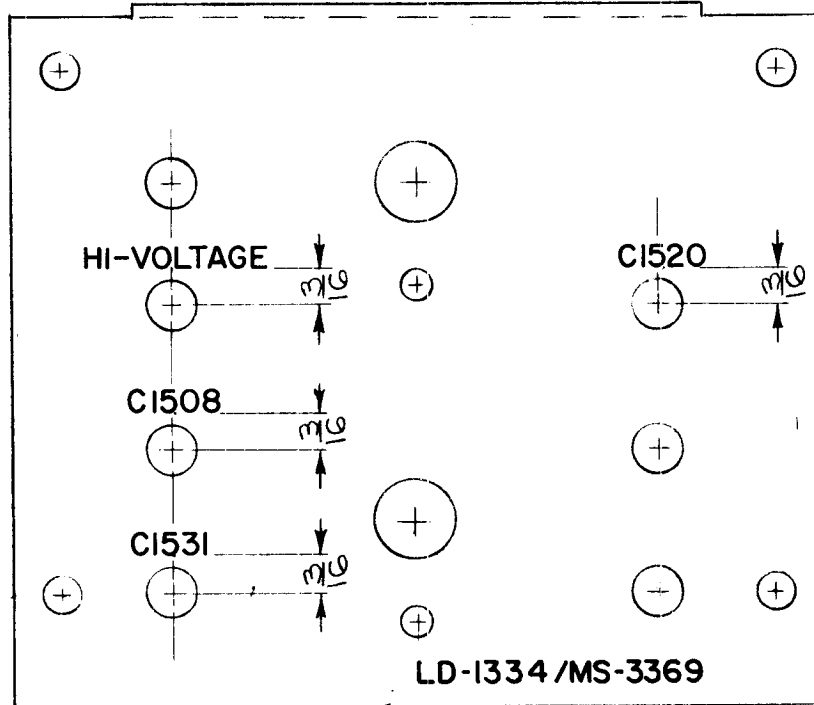


THE CONTENTS OF THIS DRAWING ARE THE EXCLUSIVE PROPERTY OF THE TECHNICAL MATERIEL CORP. ITS UNAUTHORIZED USE FOR REPRODUCTION IN WHOLE OR IN PART IS STRICTLY FORBIDDEN.

REQ. PER UNIT 1	USED ON		
	MODEL TTR-10	ASS'Y. NO. A-2773	DATE 6-11-63

LD-1334



UNLESS OTHERWISE SPECIFIED:

1. ALL LETTERING TO BE 1/8 HIGH BLACK GOTHIC.
2. LETTERING TO BE CENTERED ON HOLES AS SHOWN.

REF: MS-3369

SYM	DESCRIPTION	DATE	CH. NO.	DRAFTS	CHECKER	ENG. APP.	REQ. ITEM	PART NO.	DESCRIPTION	SYMBOL	
									THE TECHNICAL MATERIEL CORP. MAMARONECK. NEW YORK MARKING, SWITCH MTG, PLATE MARKING PROCESS: PERTMC SPEC 5727		
								STOCK SIZE			
								MATERIAL			
								TYPE & TEMPER		HEAT TREAT. SPEC.	
UNLESS OTHERWISE SPECIFIED DIMENSIONS ARE IN INCHES AND INCLUDE CHEMICALLY APPLIED OR PLATED FINISHES		SCALE	1:1						<i>R. Clement</i> 6-11-63	<i>J. W. Jordan</i> 6/11/63	<i>[Signature]</i>
DECIMALS .X ± .05 .XX ± .01 .XXX ± .005		FRACTIONS ± 1/64 ANGLES ± 0° 30'		TOLERANCES		CODE A	FINISH & SPEC. NO.		ELEC. DES. APP.	MECH. DES. APP.	LD-1334