

IF IT IS FOUND DESIRABLE TO CHANGE ANY TOLERANCE OR OTHER DETAIL SPECIFIED ON THIS DRAWING NOTIFY THE PURCHASER PROMPTLY.

LD10100A

MAXIMUM ALLOWABLE TOLERANCES HAVE BEEN DETERMINED AND DEVIATIONS WILL BE CAUSE FOR REJECTION. REMOVE ALL BURRS AND SHARP EDGES

USED ON

MODEL

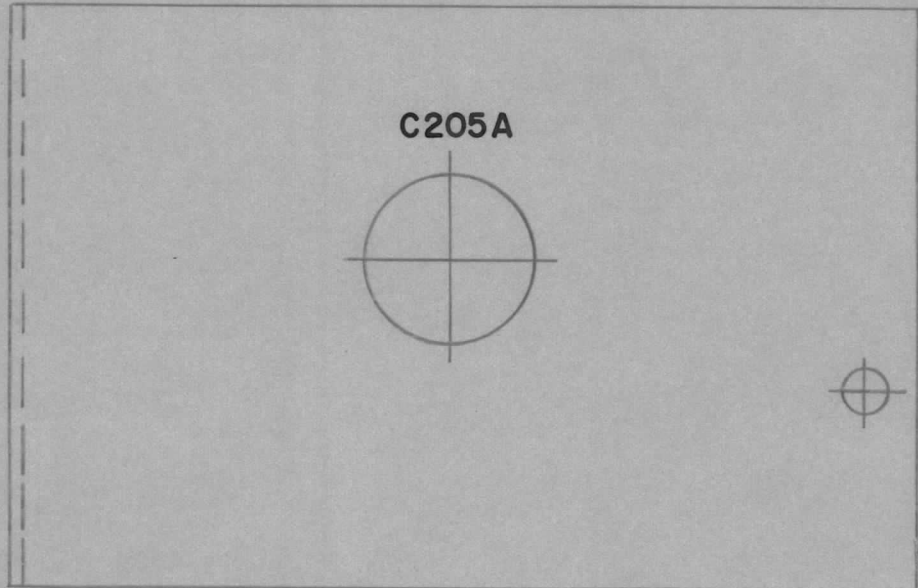
PROJECT NO.

ASS'Y. NO.

DATE

RFA-1

29/11/60



NOTE: STAMPING TO BE BLACK & 1/8 HIGH.

REF: MS10416.

REQ.	ITEM	PART NO.	DESCRIPTION	SYMBOL
			TMC (Canada) LIMITED OTTAWA ONTARIO	
		STOCK SIZE	STAMPING, CAPACITOR	
		MATERIAL	SHIELD	
		WEIGHT PER PC.		
		TYPE & TEMPER	JPC	KA
		HEAT TREAT. SPEC.		
		FINISH & SPEC. NO.		
DRAWN			ELEC. DES. APP.	MECH. DES. APP.
CHECKED			FINAL APPROVAL	
			LD10100	A

A	LD10100AWAS LD42B	NOV 29/60	JPC	KA	KA		
ISSUE	ITEM	CHANGED FROM	DATE	CN. NO.	DRAFTS	CHECKER	ENG. APP.
TOLERANCES		SCALE					
ALL OTHERS		DIMENSIONS IN INCHES UNLESS OTHERWISE SPECIFIED					
		DRILL, PUNCH, COMMERCIAL STOCK SIZES AND MANUFACTURERS TOLERANCES ARE NOT INCLUDED.					