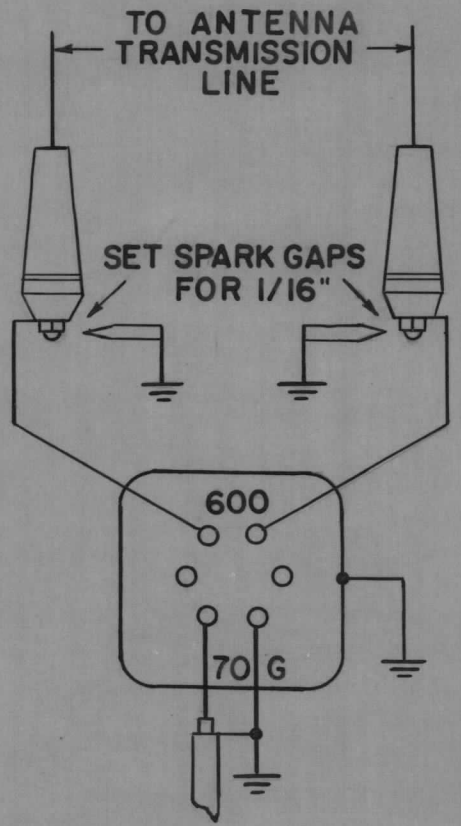


T.M.C. (CANADA) LTD.
OTTAWA, ONTARIO.
ANTENNA COUPLER
MODEL RAC --



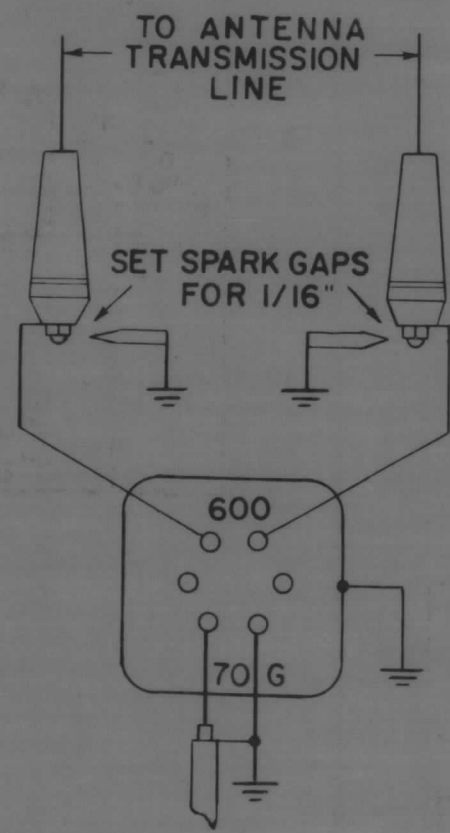
NOTICE TO PERSONS RECEIVING THIS DRAWING

THE TECHNICAL MATERIEL CORPORATION claims proprietary right in the material disclosed hereon. This drawing is issued in confidence for engineering information only and may not be reproduced or used to manufacture anything shown hereon without permission from THE TECHNICAL MATERIEL CORPORATION to the user. This drawing is loaned for mutual assistance and is subject to recall at any time.

Property of:
THE TECHNICAL MATERIEL CORPORATION
MAMARONECK, NEW YORK

TMC (Canada) LIMITED		
OTTAWA		ONTARIO
WIRING DIAGRAM FOR		
RHOMBIC ANTENNA COUPLER		
L. MARION	<i>N.J.J.</i>	
DRAWN		
<i>E.L.</i>	<i>W.A.A.</i>	
CHECKED		
		LD-10022

T.M.C. (CANADA) LTD.
OTTAWA, ONTARIO.
ANTENNA COUPLER
MODEL RAC ---



T.M.C. (Canada) LIMITED		
OTTAWA		ONTARIO
WIRING DIAGRAM FOR		
RHOMBIC ANTENNA COUPLER		
L. MARION	<i>N.S.J.</i>	
DRAWN		
<i>E.L.</i>	<i>W.A.A.</i>	
CHECKED		
		LD-10022