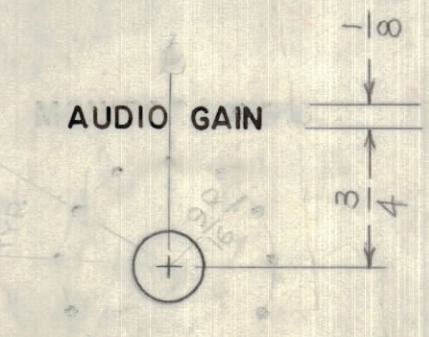
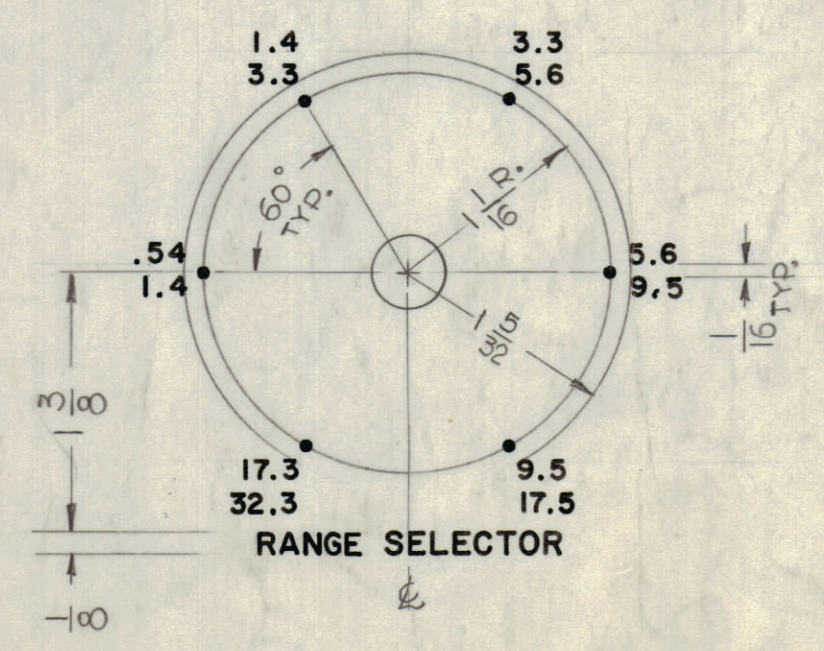
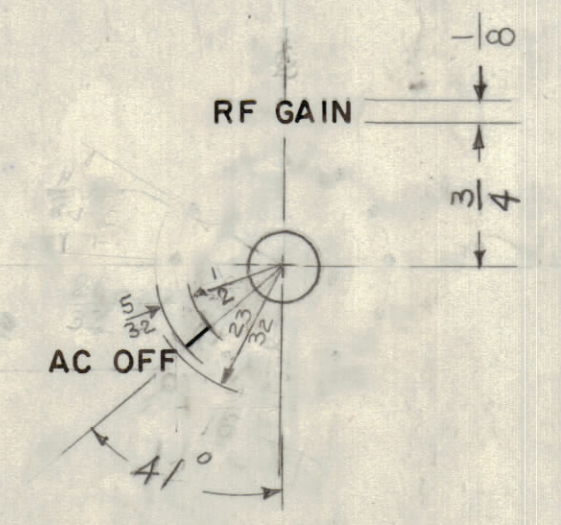
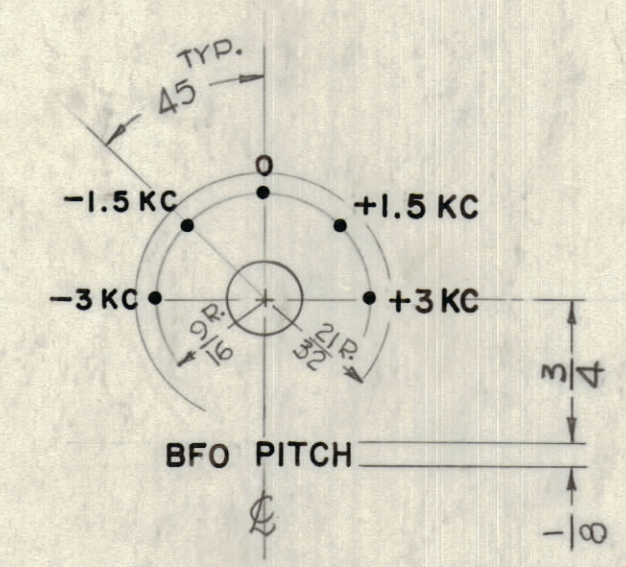
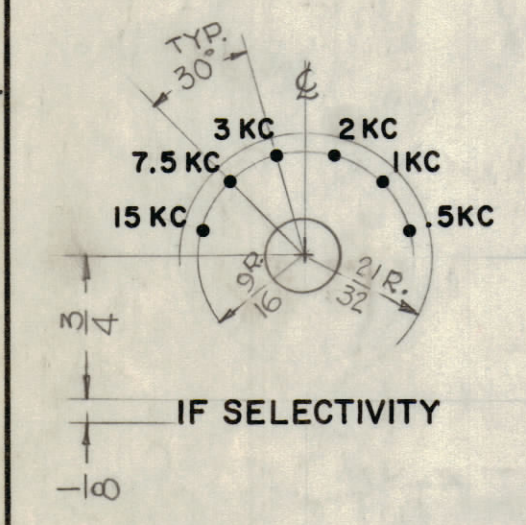
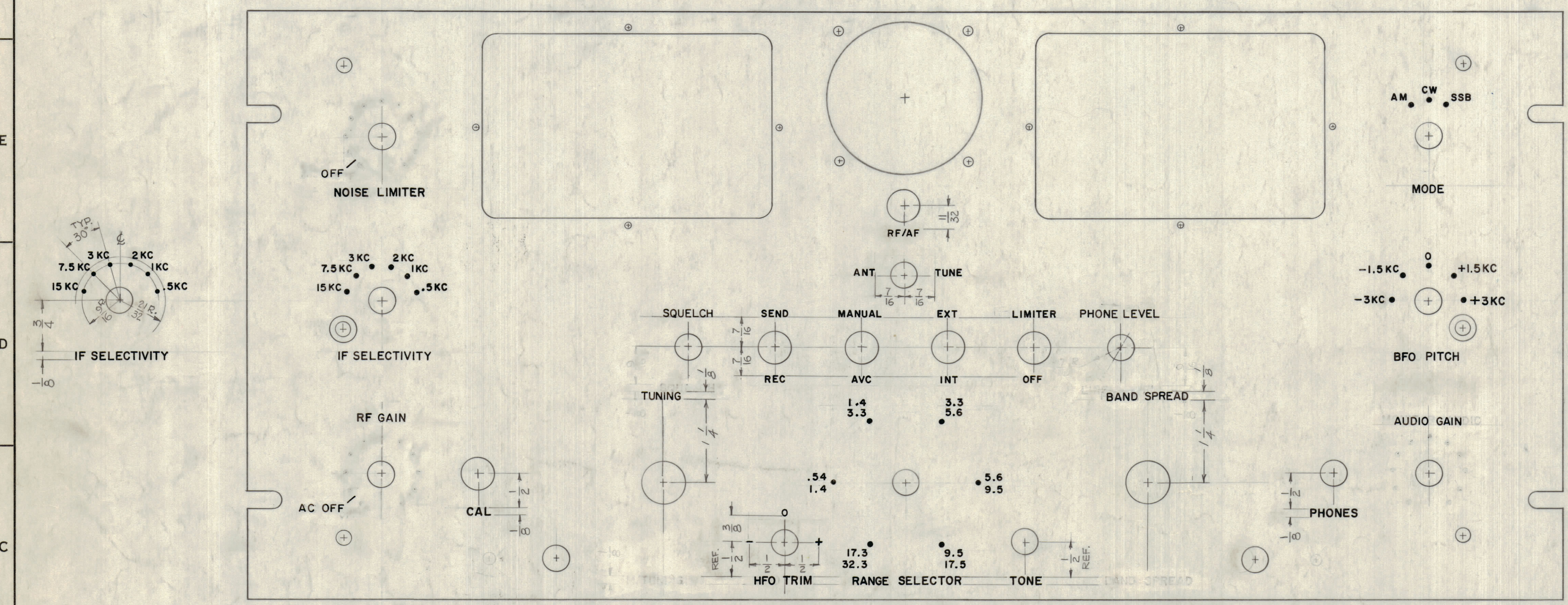
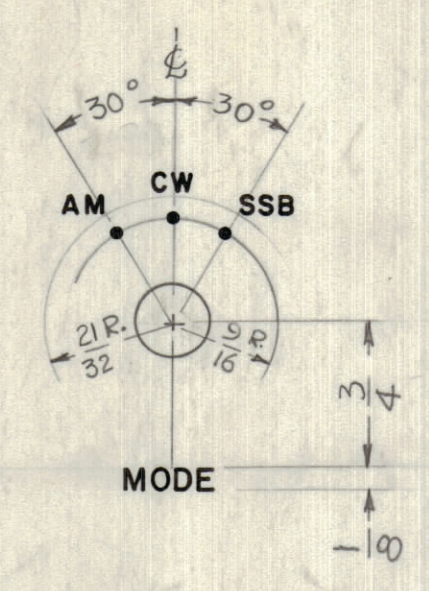
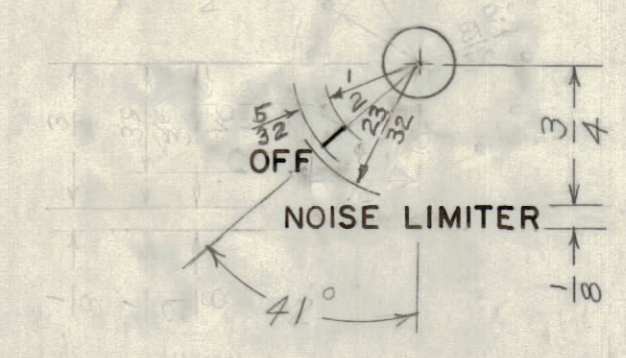


REVISIONS						
ZONE	SYM	DESCRIPTION	DATE	E.M.N. NO.	DRAFT	CHKD
C2	A	WORD "TUNING" RELOCATED TO 4 OF HOLE ABOVE	3-12-63	8529	REC	FW
	B	SEE EMN # 10922 FOR CHANGES	2/19/64	10922	AM	FW



- UNLESS OTHERWISE SPECIFIED —
- 1- ENGRAVING TO BE 3/32 HIGH WHITE GOTHIC FILLED UNLESS OTHERWISE SPECIFIED
 - 2- ALL LETTER GROUPS TO BE CENTERED ON HOLES.
 - 3- ALL DOTS, LINES & LETTERINGS TO BE WHITE FILLED.
 - 4- ALL LETTERING TO BE WHITE FILLED.
 - 5- ALL LINES TO BE WHITE FILLED.

LETTER HEIGHT	DEPTH OF STROKE	WIDTH OF STROKE
3/32	.010	.015
1/8	.010	.020
DOTS	.010	1/16 DIA.
LINES	.010	.015

REF: M5-2903

REQ'D.	ITEM	PART NUMBER	DESCRIPTION	SYMBOL
	STRUMER		LIST OF MATERIAL	
MATERIAL				
THE TECHNICAL MATERIEL CORP. MAMARONECK, NEW YORK				
FINISH				
TITLE ENGRAVING & LETTERING, FRONT PANEL				
QTY/UNIT	MODEL USED ON	DATE	FINAL APPROVAL	DATE
SCALE	CODE			
UNLESS OTHERWISE SPECIFIED DIMENSIONS ARE IN INCHES AND INCLUDE CHEMICALLY APPLIED OR PLATED FINISHES				
DECIMALS	FRACTIONS	ANGLES	TOLERANCES	MECH. DES.
.X ± .05 .XX ± .01 .XXX ± .005	± 1/64 ± 1/32 ± 1/16	± 30'		
DATE		DATE	DATE	DATE
12/1/62		12-18-62	12-18-62	12/1/62
SHEET 1 of 2				

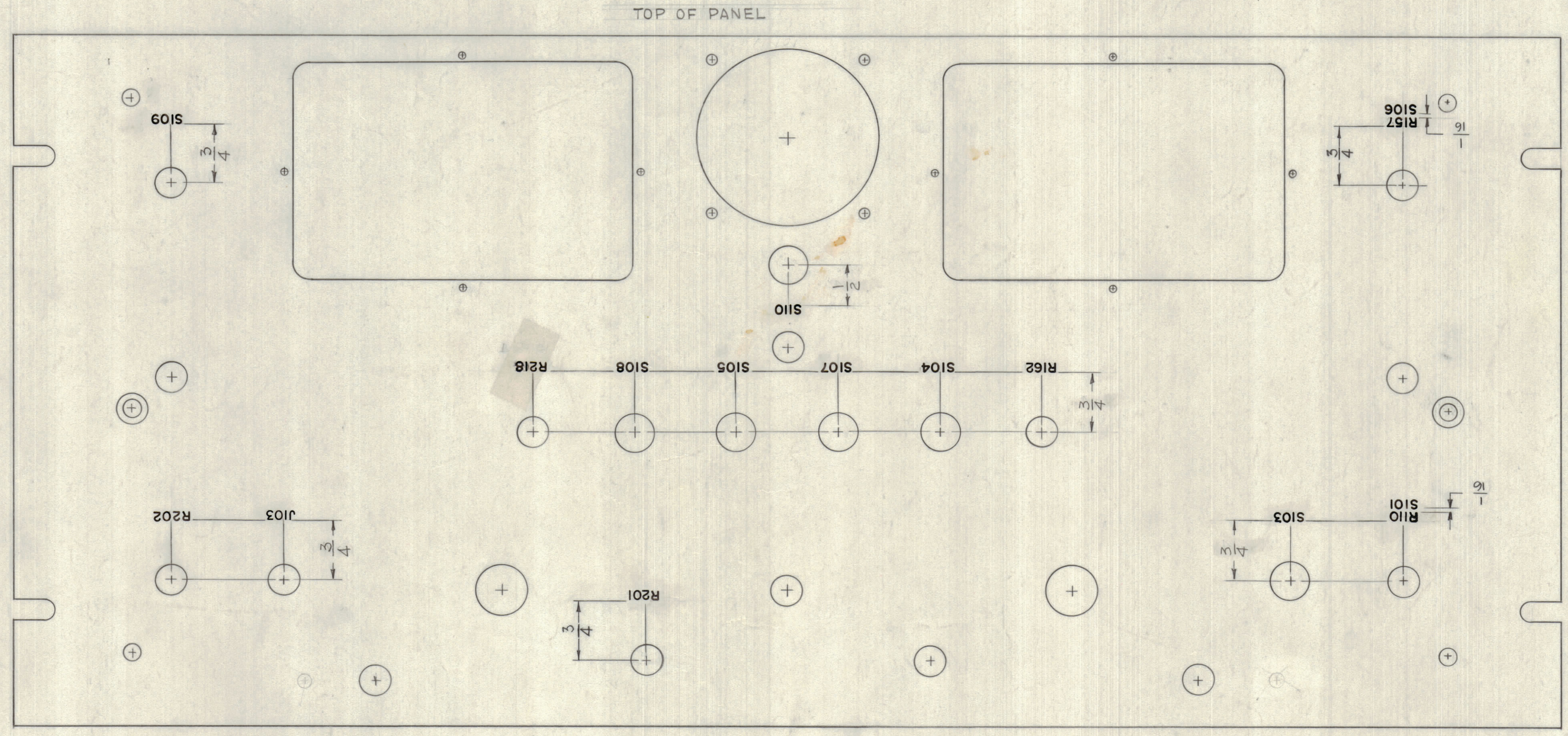
QTY/UNIT	MODEL USED ON	DATE	FINAL APPROVAL	DATE
SCALE	CODE			
THE CONTENTS OF THIS DRAWING ARE THE EXCLUSIVE PROPERTY OF THE TECHNICAL MATERIEL CORP. ITS UNAUTHORIZED USE OR REPRODUCTION IN WHOLE OR IN PART IS STRICTLY FORBIDDEN.				

NOTES

LD-1058 B

A

ZONE		SYM	DESCRIPTION	DATE	E.M.N. NO.	DRAFT	CHKD	APPD
-		A	SEE SHEET 1 or 2, REV 'A'	3-12-63	B529	RC	gmk	
-		B	SEE EMN # 10926 FOR CHANGES	2/19/64	10926	A.M.	file	



MARKING PROCESS: AS PER T.M.C. SPECIFICATION S-727
 MARKING PROCESS: AS PER T.M.C. SPECIFICATION S-727
 LETTERING: 1/8 HIGH BLACK, GOTHIC
 LOCATED AS SHOWN.

LD-1058
B

REQ'D	ITEM	PART NUMBER	DESCRIPTION	SYMBOL
REF-M5-2903				
STRUMER LIST OF MATERIAL				
MATERIAL		THE TECHNICAL MATERIEL CORP. MAMARONECK, NEW YORK		
FINISH		TITLE LETTERING, REAR OF FRONT PANEL		
Q'TY./UNIT		GPP-92		ASS'Y. NO.
SCALE		CODE		
UNLESS OTHERWISE SPECIFIED DIMENSIONS ARE IN INCHES AND INCLUDE CHEMICALLY APPLIED OR PLATED FINISHES		DRAWN GDL		DATE 11-20-62
DECIMALS X ± .05 XX ± .01 XXX ± .005		TOLERANCES		FINAL APPROVAL BP
FRACTIONS ± 1/64		ELECT. PER DATE 1-4-63		DATE 1-4-63
ANGLES ± 0° 30'		MECH. DES. DATE 1-4-63		DATE 1-4-63
		SHEET 2 OF 2		REV. LTR. B

NOTES

THE CONTENTS OF THIS DRAWING ARE THE EXCLUSIVE PROPERTY OF THE TECHNICAL MATERIEL CORP. ITS UNAUTHORIZED USE OR REPRODUCTION IN WHOLE OR IN PART IS STRICTLY FORBIDDEN.