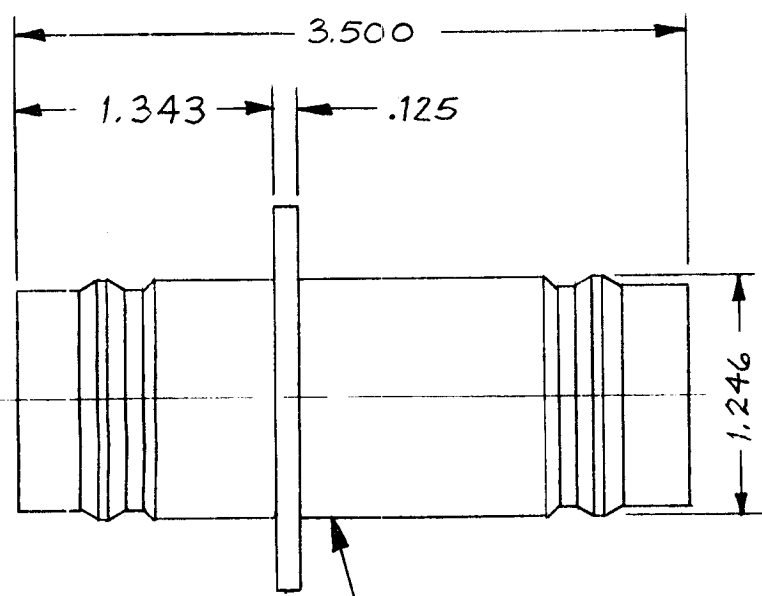
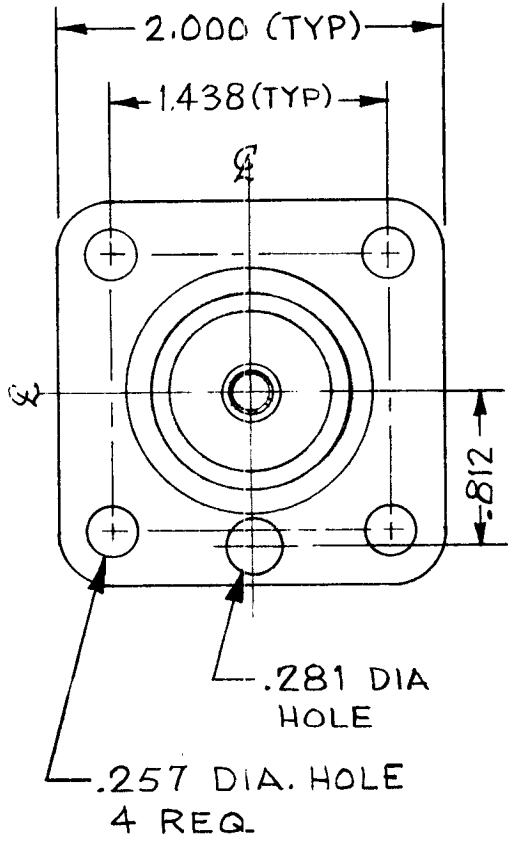


REQ. PER UNIT	USED ON			JJ-284
	MODEL	ASS'Y. NO.	DATE	



STAMP TMC
PART No. JJ-284



SPECIFICATIONS:
 Series - QDL
 No. of Contacts - ONE (1)
 Type of Contact - FEMALE (CAPTIVE)
 Dielectric - TEFLON

ELECTRICAL DATA:
 Max. Peak Opr. Volt - 10 KV
 Freq. Limit -
 Nominal Impedance - 50 OHMS

CABLE ACCOMMODATIONS:
 Type - NONE

MATING ACCOMMODATIONS:
 Type - QDL

MATERIAL:
 External Parts - BRASS
 Contact - BERYLLIUM COPPER
 Gasket - NONE

FINISH:
 External Parts - RHODIUM
 Contact - GOLD FLASH

PANEL:
 Max. Thickness - 3/16

NOTE:
 1- CENTER CONDUCTOR
 CAPTIVATED.
 2- REPLACEMENT FOR
 JJ-136 AND JJ-138

								REQ. ITEM	PART NO.	MARTINENGO DESCRIPTION	SYMBOL	
										THE TECHNICAL MATERIEL CORP. MAMARONECK. NEW YORK		
									STOCK SIZE	ADAPTER, CONNECTOR		
										QDL TO QDL		
SYM	DESCRIPTION	DATE	CH. NO.	DRAFTS	CHECKER	ENG. APP.			MATERIAL	M. TANTILLO 10-4-63	BP	
UNLESS OTHERWISE SPECIFIED DIMENSIONS ARE IN INCHES AND INCLUDE CHEMICALLY APPLIED OR PLATED FINISHES		SCALE								DRAWN	CHECKED	FINAL APPROVAL
DECIMALS .X ± .05 .XX ± .01 .XXX ± .005	TOLERANCES	FRACTIONS ± 1/64 ANGLES ± 0° 30'	CODE	S401-70						10-5-63		JJ-284
									FINISH & SPEC. NO.	ELEC. DES. APP.	MECH. DES. APP.	