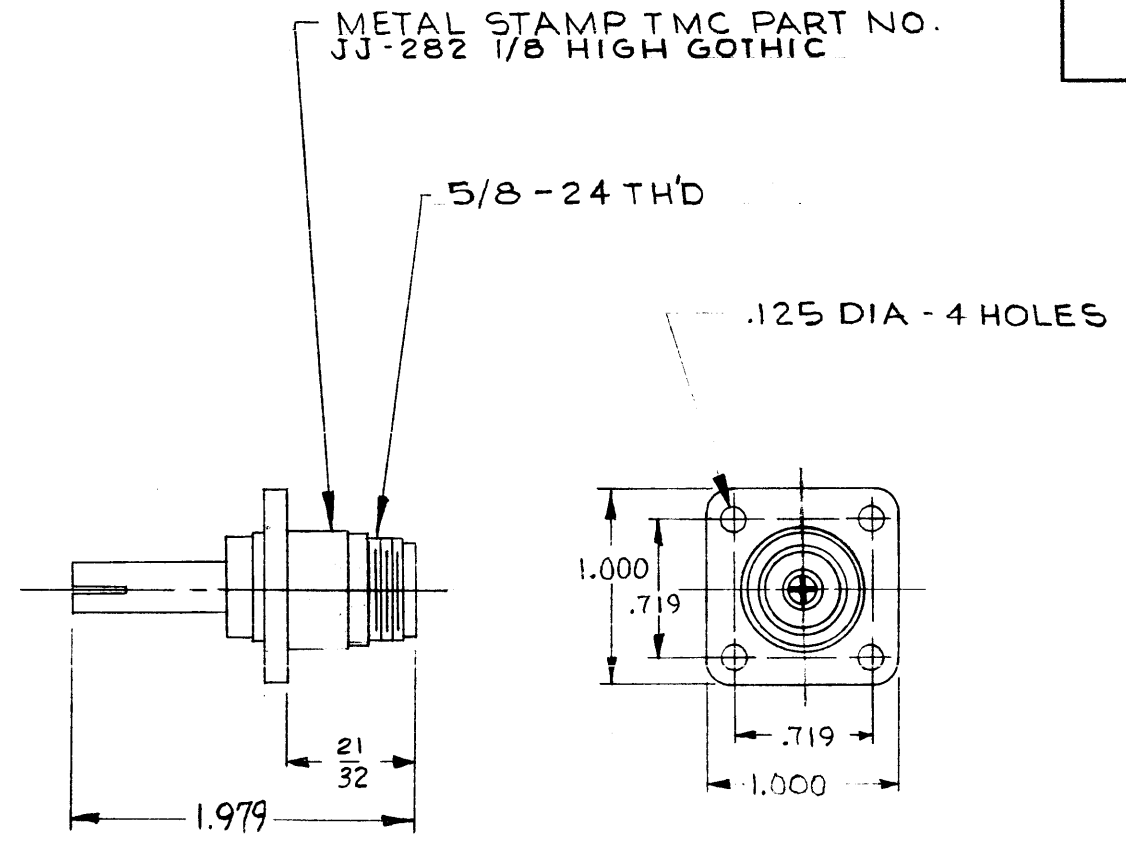


REVISIONS					
SYM	DESCRIPTION	DATE	E.M.N. NO.	DRAFT	CHKD APPD

JJ-282



**SPECIFICATIONS**

Series - N  
 No. of Contacts - One (1)  
 Type of Contact - Female  
 Dielectric - Teflon

**ELECTRICAL DATA**

Max. Peak Opr. Volt - 1500 V.  
 Nominal Impedance - 50 Ohms

**MATING ACCOMMODATIONS**

TCA 85/N Only

**MATERIAL**

External Parts - Brass  
 Contact - Beryllium Copper

**FINISH**

External Parts - Silver Plate and Rhodium Flash  
 Contact - Silver Plate and Gold Flash

REQ'D.	ITEM	PART NUMBER	DESCRIPTION	SYMBOL
<b>MARTENGO LIST OF MATERIAL</b>				
MATERIAL		THE TECHNICAL MATERIEL CORP. MAMARONECK, NEW YORK		
FINISH		TITLE CONNECTOR, RECEPTACLE for TCA-85/N		
UNLESS OTHERWISE SPECIFIED DIMENSIONS ARE IN INCHES AND INCLUDE CHEMICALLY APPLIED OR PLATED FINISHES		DRAWN <i>DDM</i>	DATE 4-17-63	FINAL APPROVAL <i>BP</i>
		CHECKED <i>JCC</i>	DATE 4-17-63	
		ELECT. DES. <i>JCC</i>	DATE	JJ-282
		MECH. DES. <i>ATK</i>	DATE 3/17/63	
			SHEET	REV. LTR.

Q'TY./UNIT	MODEL USED ON	ASS'Y. NO.
SCALE <i>H</i>	CODE	S401-70 (2937)

THE CONTENTS OF THIS DRAWING ARE THE EXCLUSIVE PROPERTY OF THE TECHNICAL MATERIEL CORP. ITS UNAUTHORIZED USE OR REPRODUCTION IN WHOLE OR IN PART IS STRICTLY FORBIDDEN.

**NOTES**