

REQ. PER UNIT	USED ON			JJ-280
	MODEL	ASS'Y. NO.	DATE	

SPECIFICATIONS:

Series - QDS
 No. of Contacts - ONE (1)
 Type of Contact - FEMALE
 Dielectric - TEFLON

ELECTRICAL DATA:

Max. Peak Opr. Volt - 1000 V
 Freq. Limit - 10,000 MCS
 Nominal Impedance - 50 OHMS

CABLE ACCOMMODATIONS:

Type - RG-8-10-213-214-215-216/U

MATING ACCOMMODATIONS:

Type - QDS

MATERIAL:

External Parts - BRASS
 Contact - BERYLLIUM COPPER
 Gasket - SILICONE RUBBER

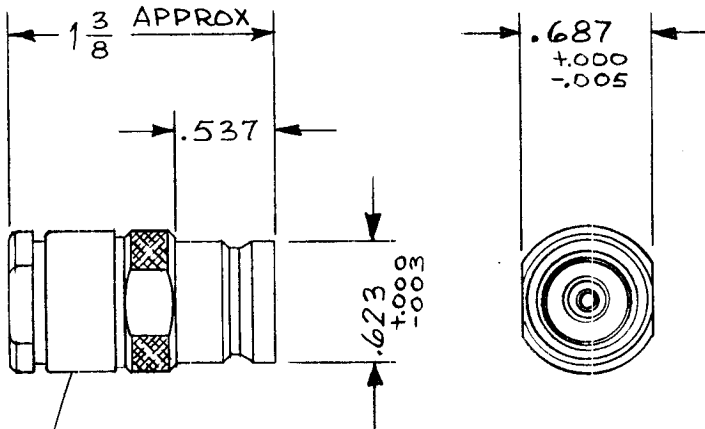
FINISH:

External Parts - RHODIUM

Contact - GOLD

PANEL:

Max. Thickness - NONE



STAMP TMC
 PART NO. JJ-280

SYM	DESCRIPTION	DATE	CH. NO.	DRAFTS	CHECKER	ENG. APP.	REQ. ITEM	PART NO.	MARTINENGO DESCRIPTION	SYMBOL
									THE TECHNICAL MATERIEL CORP. MAMARONECK, NEW YORK	
								STOCK SIZE	CONNECTOR, RECEPTACLE	
								MATERIAL	QDS TO CABLE	
									M. TANTILLO 9-20-63	
									9/25/63	BP
								TYPE & TEMPER	CHECKED	FINAL APPROVAL
								HEAT TREAT. SPEC.		
										JJ-280
								FINISH & SPEC. NO.	ELEC. DES. APP.	MECH. DES. APP.