

THE CONTENTS OF THIS DRAWING ARE THE EXCLUSIVE PROPERTY OF THE TECHNICAL MATERIEL CORP. ITS UNAUTHORIZED USE FOR REPRODUCTION IN WHOLE OR IN PART IS STRICTLY FORBIDDEN.

REQ. PER UNIT

USED ON

MODEL

ASS'Y. NO.

DATE

1-16-63

JJ-278

SPECIFICATIONS:

Series - QDS
 No. of Contacts - One
 Type of Contacts - Female
 Dielectric - Teflon

ELECTRICAL DATA:

Max. Peak Opr. Volt - 1500 volts
 Freq. Limit - 10,000 Mcs
 Nominal Impedance - 50 ohms

CABLE ACCOMMODATIONS:

Type - RG-58/U, RG-55/U, RG-223/U

MATING ACCOMMODATIONS: TYPE - QDS

MATERIAL:

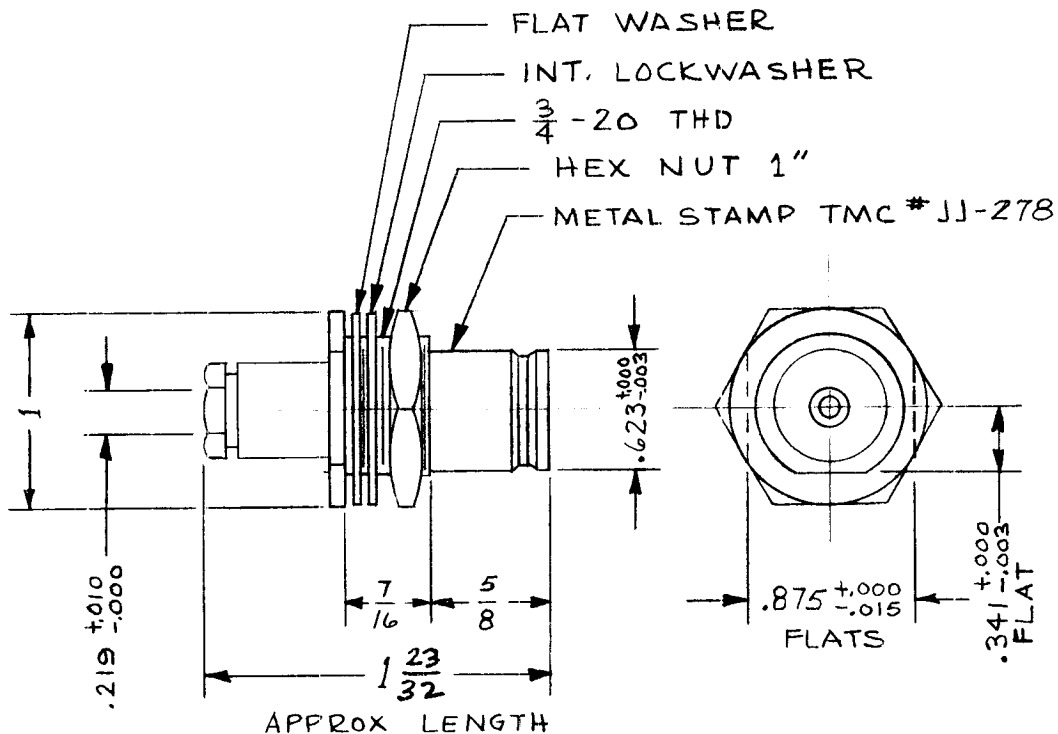
External Parts - Brass
 Contact - Beryllium Copper
 Gasket - Silicone Rubber

FINISH:

External Parts - Silver Plate,
 Rhodium Flash
 Contact - Silver Plate, Gold
 Flash

PANEL:

Max. Thickness - 3/16"



REQ.	ITEM	PART NO.	DESCRIPTION			SYMBOL
			THE TECHNICAL MATERIEL CORP. MAMARONECK, NEW YORK			
			STOCK SIZE			
			SEE NOTES			CONNECTOR, BULKHEAD RECEPTACLE
			MATERIAL			QDS TO RG-58/U
SYM	DESCRIPTION	DATE	CH. NO.	DRAFTS	CHECKER	ENG. APP.
UNLESS OTHERWISE SPECIFIED DIMENSIONS ARE IN INCHES AND INCLUDE CHEMICALLY APPLIED OR PLATED FINISHES		SCALE				
DECIMALS .X ± .05 .XX ± .01 .XXX ± .005		TOLERANCES		FRACTIONS ± 1/64 ANGLES ± 0° 30'	CODE	S401-70-3076
				M. TANTILLO		<i>[Signature]</i>
		TYPE & TEMPER		HEAT TREAT. SPEC.	DRAWN	CHECKED
		SEE NOTES				FINAL APPROVAL
		FINISH & SPEC. NO.		ELEC. DES. APP.	MECH. DES. APP.	JJ-278