

THE CONTENTS OF THIS DRAWING ARE THE EXCLUSIVE PROPERTY OF THE TECHNICAL MATERIEL CORP. ITS UNAUTHORIZED USE FOR REPRODUCTION IN WHOLE OR IN PART IS STRICTLY FORBIDDEN.

REQ. PER UNIT

MODEL

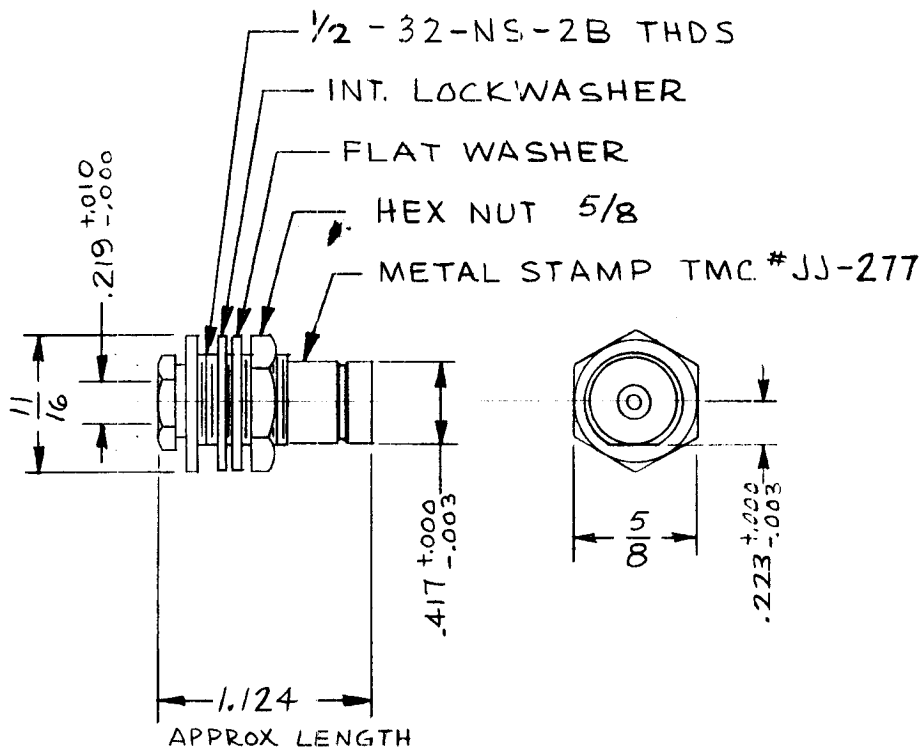
USED ON

ASS'Y. NO.

DATE

1-16-63

JJ-277



SPECIFICATIONS:

Series - QDM
 No. of Contacts - One
 Type of Contact - Female
 Dielectric - Teflon

ELECTRICAL DATA:

Max. Peak Opr. Volt - 500 Volts
 Freq. Limit - 10,000 Mcs.
 Nominal Impedance - 50 ohms

CABLE ACCOMMODATIONS:

Type - RG-58/U

MATING ACCOMMODATIONS: TYPE - QDM

MATERIAL:

External Parts - Brass
 Contact - Beryllium Copper
 Gasket -

FINISH:

External Parts - Silver Plate,
 Rhodium Flash
 Contact - Silver Plate, Gold Flash

Panel Max. Thickness - 3/16"

REQ.	ITEM	PART NO.	MARTINENGO DESCRIPTION				SYMBOL
			THE TECHNICAL MATERIEL CORP. MAMARONECK. NEW YORK				
			STOCK SIZE				
			SEE NOTE				CONNECTOR, BULKHEAD RECEPTACLE
			MATERIAL				QDM TO RG-58/U
SYM	DESCRIPTION	DATE	CH. NO.	DRAFTS	CHECKER	ENG. APP.	M TANTILLO
UNLESS OTHERWISE SPECIFIED DIMENSIONS ARE IN INCHES AND INCLUDE CHEM CALLY APPLIED OR PLATED FINISHES		SCALE					
DECIMALS .X ± .05 .XX ± .01 .XXX ± .005	TOLERANCES	FRACTIONS ± 1/64 ANGLES ± 0° 30'	CODE	S401-70-3279			SEE NOTE
				FINISH & SPEC. NO.		ELEC. DES. APP. MECH. DES. APP.	
						JJ-277	