

THE CONTENTS OF THIS DRAWING ARE THE EXCLUSIVE PROPERTY OF THE TECHNICAL MATERIEL CORP. ITS UNAUTHORIZED USE FOR REPRODUCTION IN WHOLE OR IN PART IS STRICTLY FORBIDDEN.

REQ. PER UNIT

USED ON

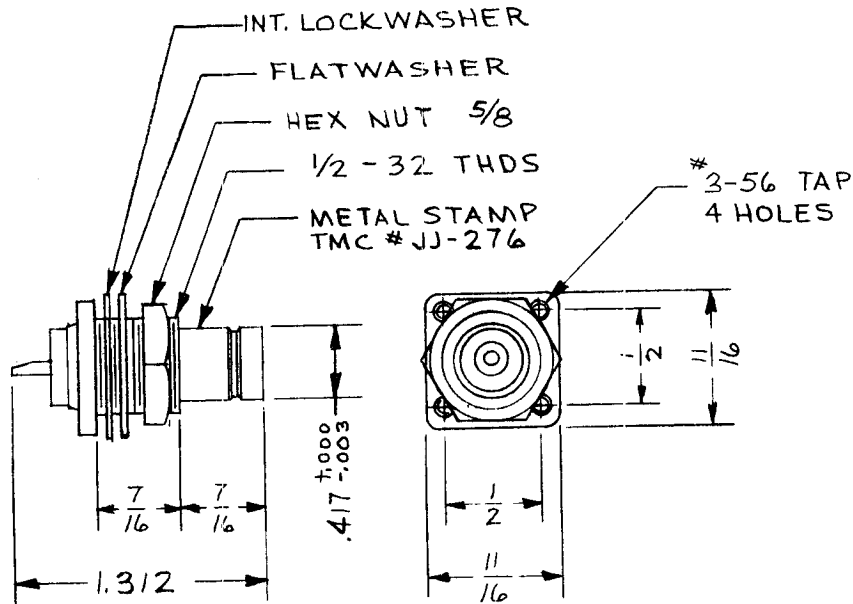
MODEL

ASS'Y. NO.

DATE

1-11-63

JJ-276



SPECIFICATIONS:

Series - QDM
 No. of Contacts - One (1)
 Type of Contact - Female
 Dielectric - Teflon

ELECTRICAL DATA:

Max. Peak Cpr. Volt - 500 V
 Freq. Limit - 10,000 mcs
 Nominal Impedance - 50

MATING ACCOMMODATIONS:

Type - Solder Cup

MATERIAL:

External Parts - Brass
 Contact - Beryllium Copper
 Gasket - None

FINISH:

External Parts - Silver Plate and Rhodium Flash
 Contact - Silver Plate, Gold Flash

SYM	DESCRIPTION	DATE	CH. NO.	DRAFTS	CHECKER	ENG. APP.	REQ. ITEM	PART NO.	MARTINENGO DESCRIPTION	SYMBOL
									THE TECHNICAL MATERIEL CORP. MAMARONECK, NEW YORK RECEPTACLE QDM TO SOLDER CUP	
								STOCK SIZE		
								MATERIAL		
								TYPE & TEMPER HEAT TREAT. SPEC.		
	UNLESS OTHERWISE SPECIFIED DIMENSIONS ARE IN INCHES AND INCLUDE CHEMICALLY APPLIED OR PLATED FINISHES	SCALE							MTANTILLO	9/
									DRAWN	CHECKED
										FINAL APPROVAL
										JJ-276
									ELEC. DES. APP.	MECH. DES. APP.