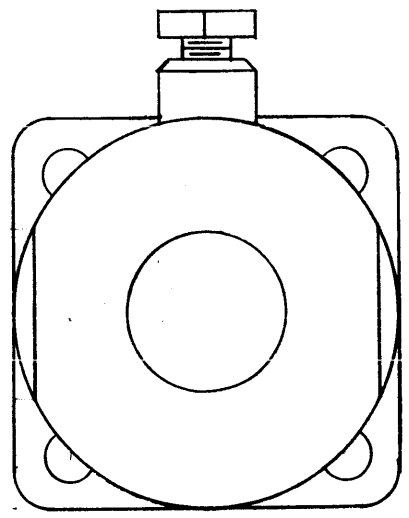
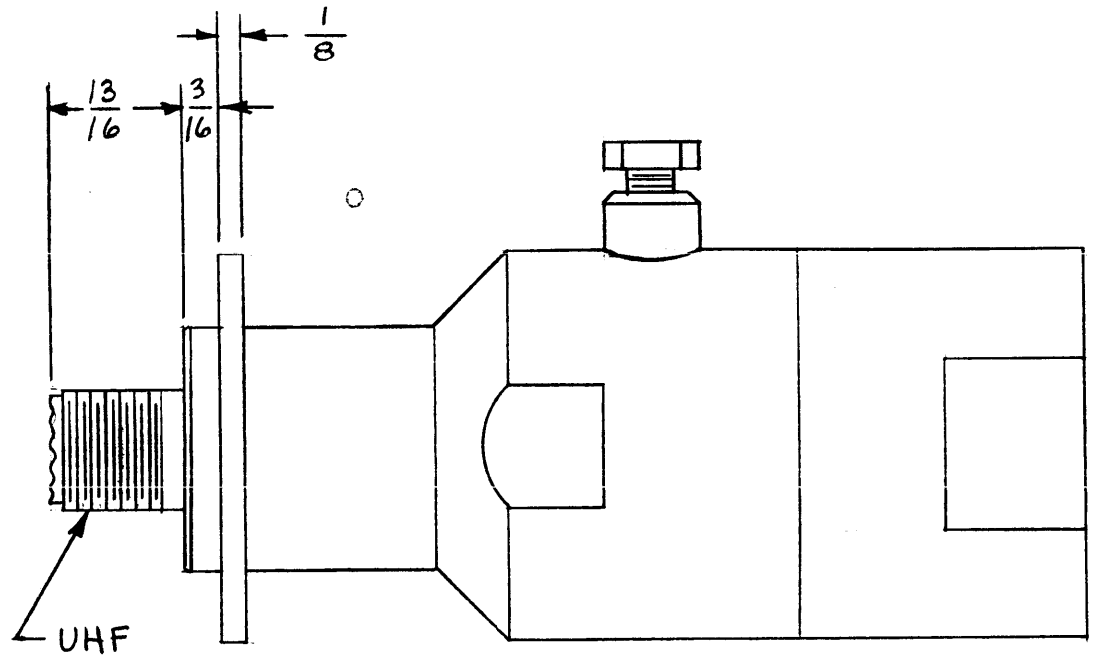
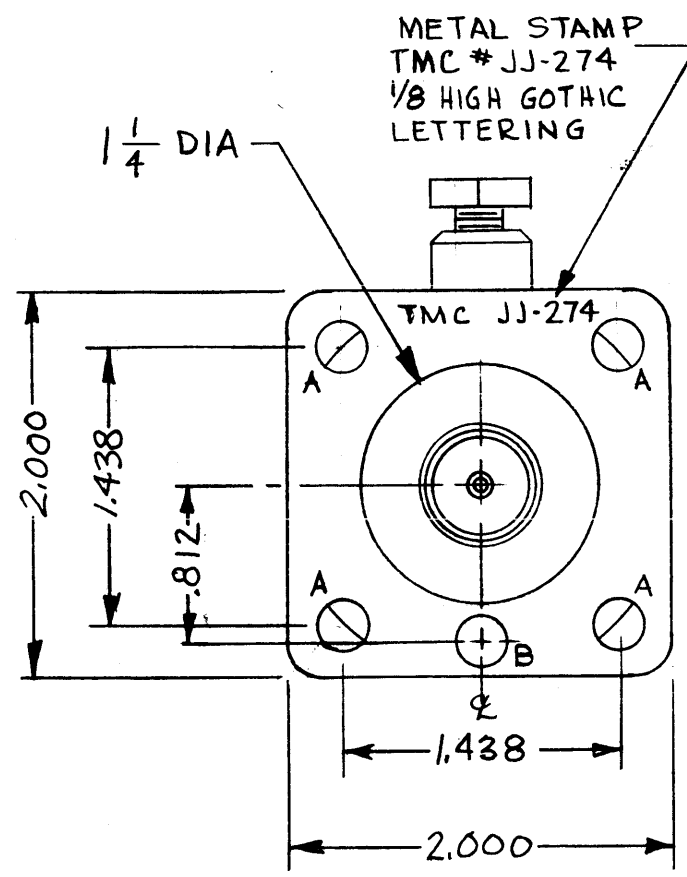


SPECIFICATIONS
 SERIES - UHF
 No. OF CONTACTS - ONE (1)
 TYPE OF CONTACT - FEMALE
 DIELECTRIC - **TEFLON**
ELECTRICAL DATA
 MAX. PEAK OPR. VOLTS -
 NOMINAL IMPEDANCE - 50Ω

CABLE ACCOMODATION
 TYPE - 7/8 HELIAX
 MAX. O.D. -
MATERIAL
 EXT. PARTS - BRASS
 CONTACTS -
FINISH
 EXT. PARTS -
 CONTACTS -

JJ-274

| REVISIONS | | | | | | |
|-----------|---------------------------|---------|------------|-------|------|------|
| SYM | DESCRIPTION | DATE | E.M.N. NO. | DRAFT | CHKD | APPD |
| Ø | ORIGINAL RELEASE FOR TROD | 8/25/69 | | | | |



HOLE DIA
 A - .257 DIA 4 REQ.
 B - 9/32 (.281) DIA 1 REQ.

| | | |
|----------------|------------------------|------------|
| JPP-HX5875C7X4 | | |
| Q'TY./UNIT | MODEL USED ON | ASS'Y. NO. |
| SCALE | CODE | |
| | S401-31 (750 MODIFIED) | |

THE CONTENTS OF THIS DRAWING ARE THE EXCLUSIVE PROPERTY OF THE TECHNICAL MATERIEL CORP. ITS UNAUTHORIZED USE OR REPRODUCTION IN WHOLE OR IN PART IS STRICTLY FORBIDDEN.

| REQ'D. | ITEM | PART NUMBER | DESCRIPTION | SYMBOL |
|---|------|--|------------------|-------------------------------|
| MARTINEU GO LIST OF MATERIAL | | | | |
| MATERIAL | | THE TECHNICAL MATERIEL CORP. MAMARONECK, NEW YORK | | |
| FINISH | | TITLE CONNECTOR, RECEPTACLE 7/8 HELIAX TO UHF | | |
| UNLESS OTHERWISE SPECIFIED DIMENSIONS ARE IN INCHES AND INCLUDE CHEMICALLY APPLIED OR PLATED FINISHES | | DRAWN MJ TANTILLO | DATE 12-17-62 | FINAL APPROVAL [Signature] |
| | | CHECKED [Signature] | DATE 12-17-62 | DATE 8/25/69 |
| DECIMALS .X ± .05 .XX ± .01 .XXX ± .005 | | FRACTIONS ± 1/64 ANGLES ± 0° 30' | | TOLERANCES |
| | | ELECT. DES. | DATE | JJ-274 |
| | | MECH. DES. | DATE | Ø |
| | | | 12/17/62 | SHEET |
| | | | | REV. LTR. |

NOTES