

REQ. PER UNIT	USED ON			JJ-269
	MODEL	ASSY. NO.	DATE	

SPECIFICATIONS:

Series - C
 No. of Contacts- ONE (1)
 Type of Contact - FEMALE & MALE
 Dielectric - TEFLON

ELECTRICAL DATA:

Max. Peak Opr. Volt - 1500 V
 Freq. Limit - 10,000 MCS
 Nominal Impedance - 50 OHMS

CABLE ACCOMMODATIONS:

Type - NONE

MATING ACCOMMODATIONS:

Type - TCA-85/C

MATERIAL:

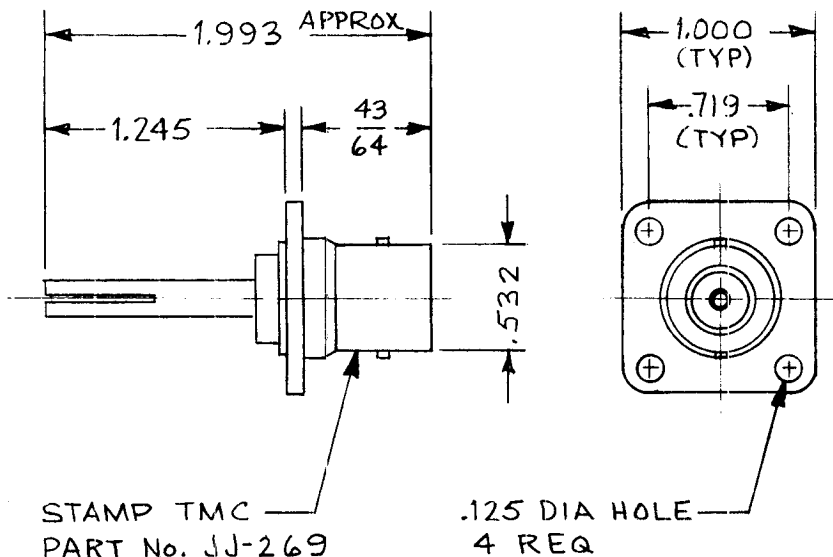
External Parts - BRASS
 Contact - BERYLLIUM COPPER
 Gasket - NONE

FINISH:

External Parts - RHODIUM
 Contact - GOLD

PANEL:

Max. Thickness - 3/16



SYM	DESCRIPTION	DATE	CH. NO.	DRAFTS	CHECKER	ENG. APP.	REQ. ITEM	PART NO.	MARTINENGO DESCRIPTION	SYMBOL
									THE TECHNICAL MATERIEL CORP. MAMARONECK, NEW YORK	
								STOCK SIZE	CONNECTOR, RECEPTACLE	
								MATERIAL	"C" SERIES	
	UNLESS OTHERWISE SPECIFIED DIMENSIONS ARE IN INCHES AND INCLUDE CHEMICALLY APPLIED OR PLATED FINISHES	SCALE							M. TANTILLO 9-20-63	BP
									CHECKED	FINAL APPROVAL
	DECIMALS .X ± .05 .XX ± .01 .XXX ± .005	FRACTIONS ± 1/64 ANGLES ± 0° 30'	CODE						DRAWN	JJ-269
	TOLERANCES		S401-70-2944						CHECKED	
									FINISH & SPEC. NO.	ELEC. DES. APP. MECH. DES. APP.