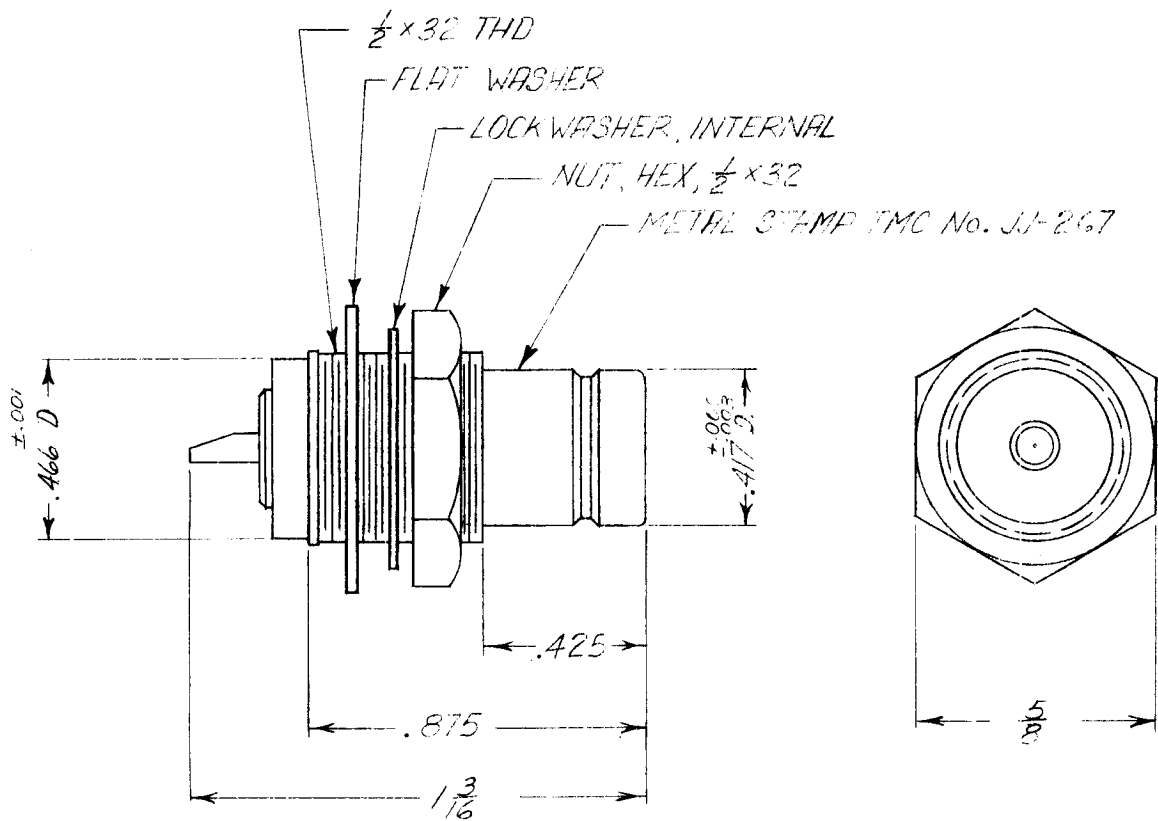


STANDARD DRAWING

THE CONTENTS OF THIS DRAWING ARE THE EXCLUSIVE PROPERTY OF THE TECHNICAL MATERIEL CORP. ITS UNAUTHORIZED USE FOR REPRODUCTION IN WHOLE OR IN PART IS STRICTLY FORBIDDEN.

REQ. PER UNIT 4	USED ON		DATE 3-29-63	JJ-267	A
	MODEL 11-108	ASS'Y. NO. A-3140			



SPECIFICATIONS:
 Series - QDM
 No. of Contacts - One (1)
 Type of Contact - Female
 Dielectric - Teflon

ELECTRICAL DATA:
 Max. Peak Opr. Volt - 500 V.
 Freq. Limit - 10,000 MC.
 Nominal Impedance - 50 Ohms

CABLE ACCOMMODATIONS:
 Type -

MATING ACCOMMODATIONS:
 Type - Solder Cup

MATERIAL:
 External Parts - Brass
 Contact - Beryllium Copper
 Gasket - None

FINISH:
 External Parts - Silver Plate and Rhodium Flash
 Contact - Silver Plate and Gold Flash

PANEL:
 Max. Thickness - 3/16

REQ.	ITEM	PART NO.	DESCRIPTION	SYMBOL
			Martimengo	
STOCK SIZE			THE TECHNICAL MATERIEL CORP. MAMARONECK, NEW YORK	
			CONNECTOR, RECEPTACLE	
			QDM BULKHEAD MTG.	
MATERIAL				
TYPE & TEMPER				
HEAT TREAT. SPEC.				
FINISH & SPEC. NO.				
ELEC. DES. APP.				
MECH. DES. APP.				

A	ON TITLE, "QDM" WAS "QDS"	4-23-63	8839	JNY	GIB	
SYM	DESCRIPTION	DATE	CH. NO.	DRAFTS	CHECKER	ENG. APP.
UNLESS OTHERWISE SPECIFIED DIMENSIONS ARE IN INCHES AND INCLUDE CHEMICALLY APPLIED OR PLATED FINISHES		SCALE 2:1				
DECIMALS .X ± .05 .XX ± .01 .XXX ± .005		TOLERANCES		FRACTIONS ± 1/64 ANGLES, ± 0° 30'		
		CODE S-401-70 (2936)				