

JJ-246

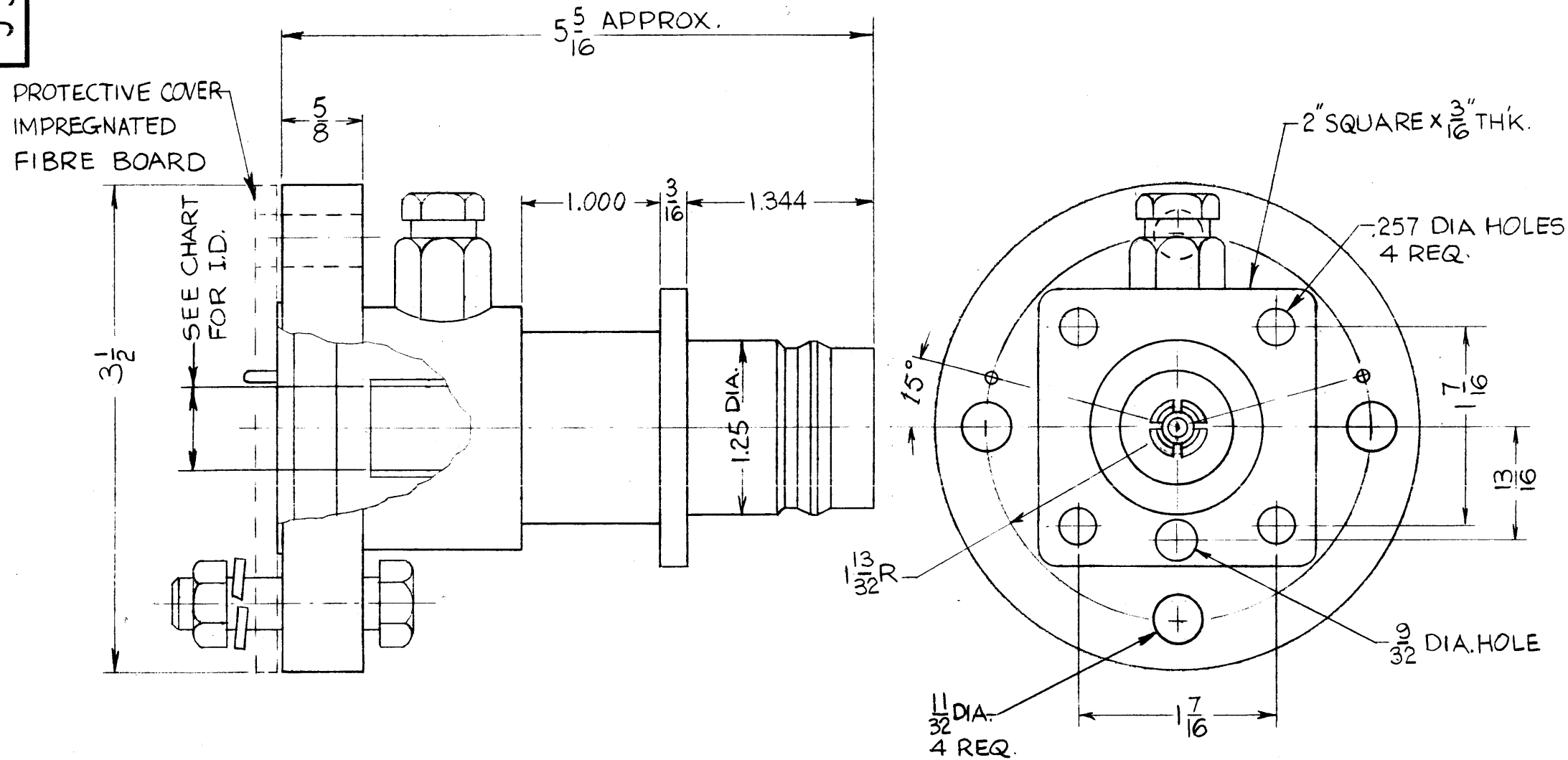
THE CONTENTS OF THIS DRAWING ARE THE EXCLUSIVE PROPERTY OF THE TECHNICAL MATERIEL CORP. ITS UNAUTHORIZED USE OR REPRODUCTION IN WHOLE OR IN PART IS STRICTLY FORBIDDEN.

TMC PART NO.	IMPEDANCE	I. D.	
JJ-246-50	50 OHMS	.588	S-401-70-(2614)
JJ-246-70	70 OHMS	.385	S-401-70-(2613)

SPECIFICATIONS
 SERIES ~ QDL
 NO. OF CONTACTS ~ ONE (1)
 TYPE OF CONTACT ~ MALE
 DIELECTRIC ~ TEFLON
ELECTRICAL DATA
 MAX. PEAK VOLTAGE ~ 10,000 V
 FREQ. LIMIT ~ 1,000 MCS.
 NOM. IMPEDANCE ~ 50Ω OR 70Ω
CABLE ACCOMODATIONS
 TYPE ~ 1 5/8 EIA

MATERIAL
 EXTERNAL PARTS ~ BRASS
 CONTACT ~ BRASS
 CONTACT FINGER - BERYLLIUM COPPER
FINISH
 EXT. PARTS ~ RHODIUM FLASH
 CONTACTS, FINGERS ~ SILVER PLATE & GOLD FLASH.

SUPPLIED BY MFR.
 O-RING - 1 REQ.
 SCREW, MACHINE - SCHH3118NR24 - 4 REQ.
 WASHER, LOCK, SPLIT - LWS31HRN - 4 REQ.
 NUT, HEX. - NTH3118NR16 - 4 REQ.
 CONNECTOR, INNER-PO-218-XX - 1 REQ.



A	FIN. ON EXT. PARTS WAS BRASS	2-5-64	10834	A.M.	T.R.	W.P.
SYM	DESCRIPTION	DATE	CH. NO.	DRAFTS	CHECKER	ENG. APP.
UNLESS OTHERWISE SPECIFIED:		SCALE:				
DIMENSIONS ARE IN INCHES		MAXIMUM ALLOWABLE TOLERANCES HAVE BEEN DETERMINED AND ANY DEVIATIONS WILL BE CAUSE FOR REJECTION.				
TOLERANCES ON FRACTIONS ± 1/64 DECIMALS ± .005 ANGLES ± 1/2°		REMOVE ALL BURRS AND SHARP EDGES				

REQ. PER UNIT	MODEL	SECTION	ASSY. NO.	DATE
				4-6-62
USED ON				

REQ.	ITEM	PART NO.	PRITCHARD DESCRIPTION	SYMBOL
			THE TECHNICAL MATERIEL CORP. MAMARONECK, NEW YORK	
STOCK SIZE			ADAPTOR, CONNECTOR, EIA, 1 5/8 50Ω OR 70Ω	
MATERIAL			V.R.R. <i>HP</i>	<i>BP</i>
TYPE & TEMPER			DRAWN <i>HP</i>	CHECKED <i>HP</i>
HEAT TREAT. SPEC.			FINAL APPROVAL	
FINISH & SPEC. NO.			ELEC. DES. APP. <i>HP</i>	MECH. DES. APP. <i>HP</i>
			JJ-246	A