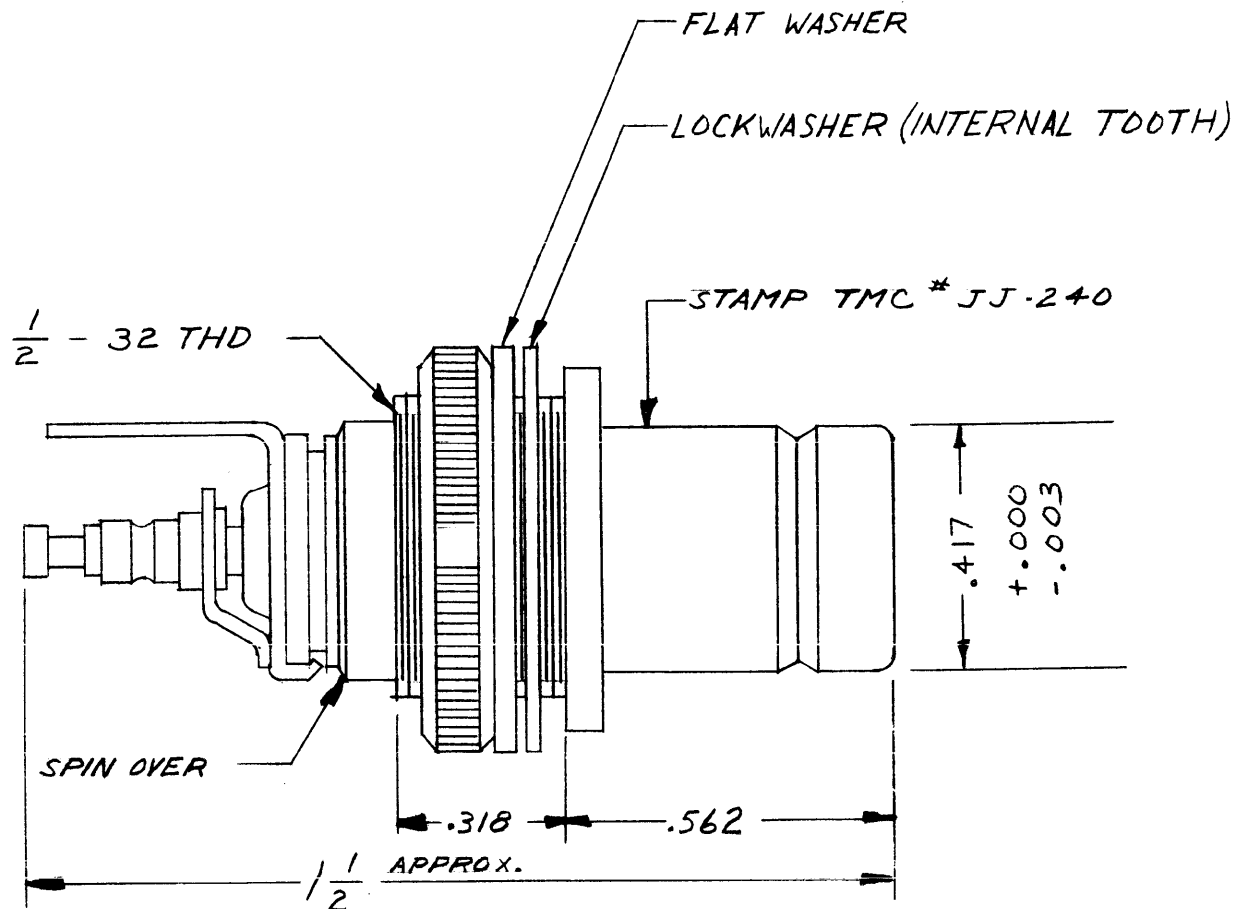
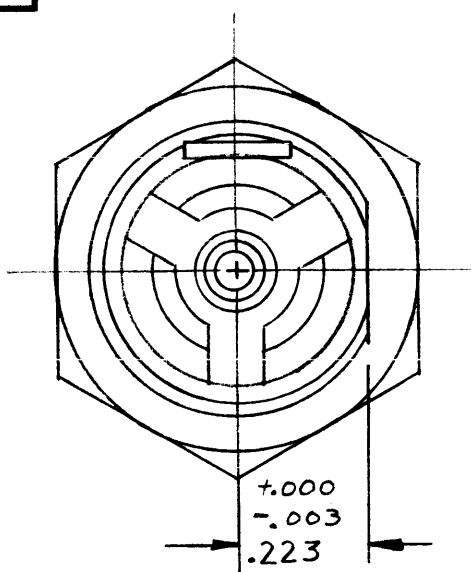


THE CONTENTS OF THIS DRAWING ARE THE EXCLUSIVE PROPERTY OF THE TECHNICAL MATERIEL CORP. ITS UNAUTHORIZED USE OR REPRODUCTION IN WHOLE OR IN PART IS STRICTLY FORBIDDEN.

JJ-240



NOTE:
UPON ENGAGEMENT OF MATING CONNECTOR THE INSULATOR ASSEMBLY MOVES BACK 0.085

SPECIFICATIONS

SERIES - QDM
NO. OF CONTACTS - ONE (1)
TYPE OF CONTACTS - SWITCH TYPE
DIELECTRIC - TEFLON

ELECTRICAL DATA

MAX. PEAK VOLTAGE - 500 V
FREQ. LIMIT - 10,000
NOM. IMPEDANCE - 50 OR 70 OHMS

CABLE ACCOMMODATIONS

TYPE -
MAX. O.D. -
IMPEDANCE -

MATERIAL

EXTERNAL PARTS - BRASS
CONTACTS - BERYLLIUM COPPER

FINISH

EXTERNAL PARTS - SILVER PLATE & RHODIUM FLASH
CONTACTS - SILVER PLATE & GOLD FLASH

REQ.	ITEM	PART NO.	DESCRIPTION	SYMBOL
			THE TECHNICAL MATERIEL CORP. MAMARONECK, NEW YORK	
STOCK SIZE				
SEE NOTE			CONNECTOR, RECEPTACLE, ELECTRICAL	
MATERIAL				
		G. SENCEN	<i>file</i>	<i>BP</i>
TYPE & TEMPER		HEAT TREAT. SPEC.	DRAWN	CHECKED
SEE NOTE				FINAL APPROVAL
FINISH & SPEC. NO.		ELEC. DES. APP.	MECH. DES. APP.	JJ-240

SYM	DESCRIPTION	DATE	CH. NO.	DRAFTS	CHECKER	ENG. APP.
UNLESS OTHERWISE SPECIFIED:		SCALE: S 401-70 (3278)				
DIMENSIONS ARE IN INCHES		MAXIMUM ALLOWABLE TOLERANCES HAVE BEEN DETERMINED AND ANY DEVIATIONS WILL BE CAUSE FOR REJECTION.				
TOLERANCES ON FRACTIONS ± 1/64 DECIMALS ± .05 ANGLES ± 1/2°		REMOVE ALL BURRS AND SHARP EDGES				

REQ. PER UNIT	MODEL	SECTION	ASS'Y. NO.	DATE
				11-20-62
USED ON				