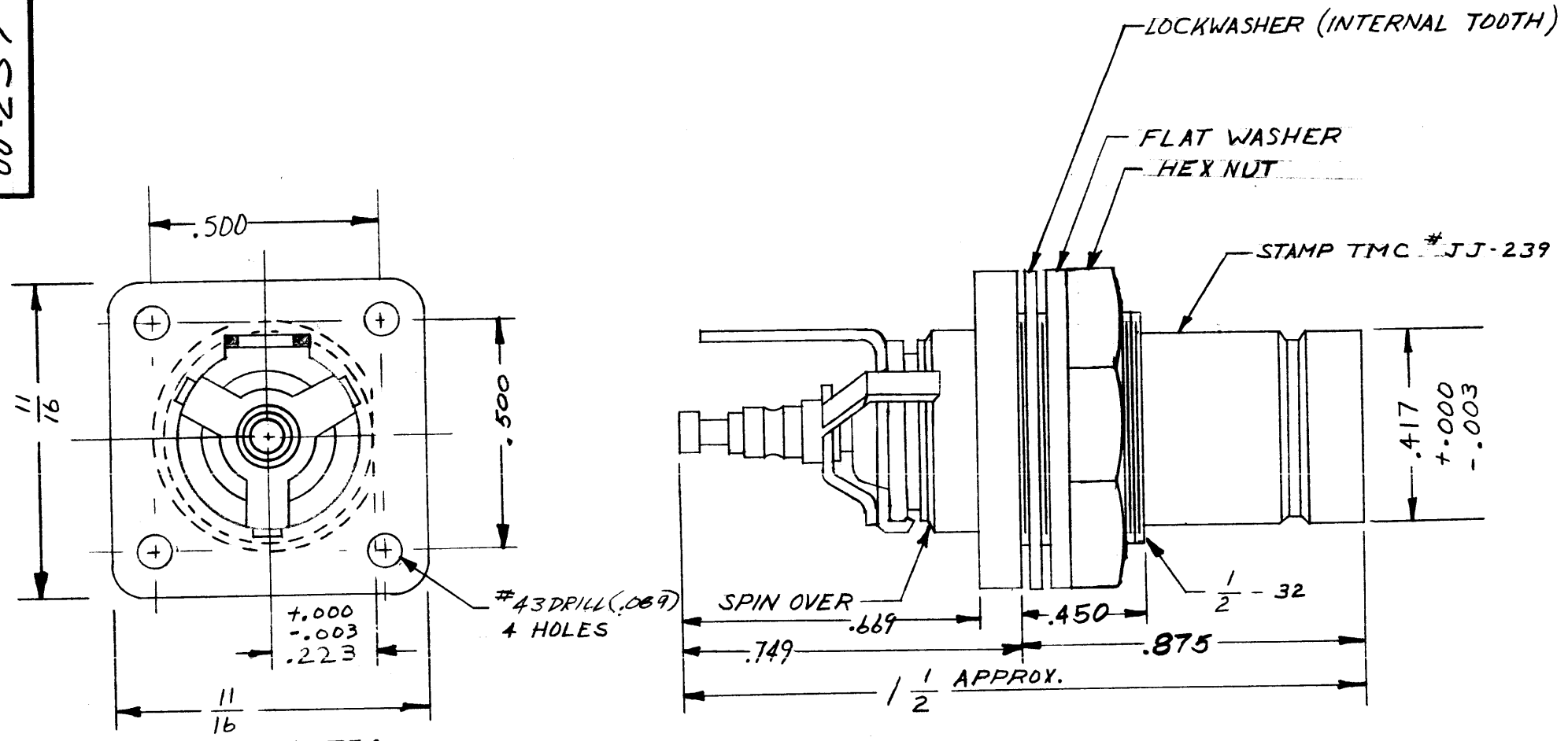


STANDARD DRAWING

JJ-239

THE CONTENTS OF THIS DRAWING ARE THE EXCLUSIVE PROPERTY OF THE TECHNICAL MATERIEL CORP. ITS UNAUTHORIZED USE OR REPRODUCTION IN WHOLE OR IN PART IS STRICTLY FORBIDDEN.



NOTE:
 1 UPON ENGAGEMENT OF MATING CONNECTOR THE INSULATOR ASSEMBLY MOVES BACK 0.085
 2 CONNECTOR TO BE SUPPLIED WITH PLASTIC CAP MOUNTED, AND HARDWARE BULK PACKED.

ASSIGNED PATENT No. 2,767,267

SPECIFICATIONS

SERIES - QDM
 NO. OF CONTACTS - ONE (1)
 TYPE OF CONTACTS - SWITCH TYPE
 DIELECTRIC - TEFLON

ELECTRICAL DATA

MAX PEAK VOLTAGE - 500 V
 FREQ. LIMIT - 10,000
 NOM. IMPEDANCE - 50 or 70 OHMS

CABLE ACCOMMODATIONS

TYPE -
 MAX. O.D. -
 IMPEDANCE -

MATERIAL

EXTERNAL PARTS - BRASS
 CONTACTS - BERYLLIUM COPPER

FINISH

EXTERNAL PARTS - SILVER PLATE & RHODIUM FLASH
 CONTACTS - SILVER PLATE & GOLD FLASH

SYM	DESCRIPTION	DATE	CH. NO.	DRAFTS	CHECKER	ENG. APP.
B	NOTE 2, #43 DRILL (.089) ADD TAP REM	12/29/65	15472	F.V.V.	JCB	JCB
A	.500 DIA - 1/2, #43 WAS .381, .875 WAS .806 HEX WAS RING NUT PATENT NO ADDED	10/18/65	14945	F.V.V.	JCB	JCB

UNLESS OTHERWISE SPECIFIED:
 DIMENSIONS ARE IN INCHES
 TOLERANCES ON FRACTIONS ± 1/64 DECIMALS ± .05 ANGLES ± 1/2°

SCALE: 5/16-1/2 (3277)
 MAXIMUM ALLOWABLE TOLERANCES HAVE BEEN DETERMINED AND ANY DEVIATIONS WILL BE CAUSE FOR REJECTION.
 REMOVE ALL BURRS AND SHARP EDGES

REQ. PER UNIT	MODEL	SECTION	ASS'Y. NO.	DATE

REQ. ITEM	PART NO.	DESCRIPTION	SYMBOL
		THE TECHNICAL MATERIEL CORP. MAMARONECK, NEW YORK	
		CONNECTOR, RECEPTACLE, ELECTRICAL	
		G. SENCEN DRAWN	BP FINAL APPR VAL
		SEE NOTE	
		FINISH & SPEC. NO.	JJ-239