

JJ-234

THE CONTENTS OF THIS DRAWING ARE THE EXCLUSIVE PROPERTY OF THE TECHNICAL MATERIEL CORP. ITS UNAUTHORIZED USE OR REPRODUCTION IN WHOLE OR IN PART IS STRICTLY FORBIDDEN.

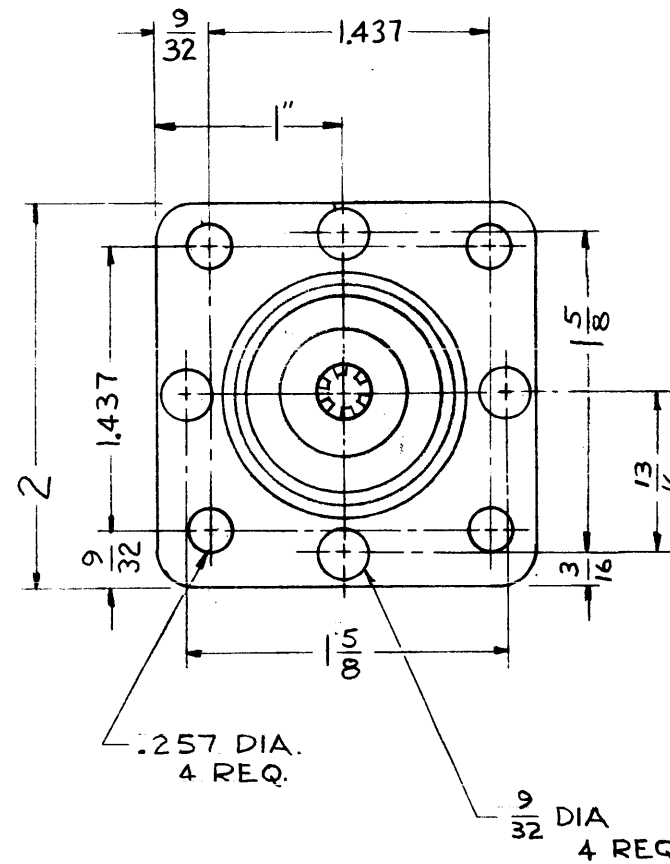
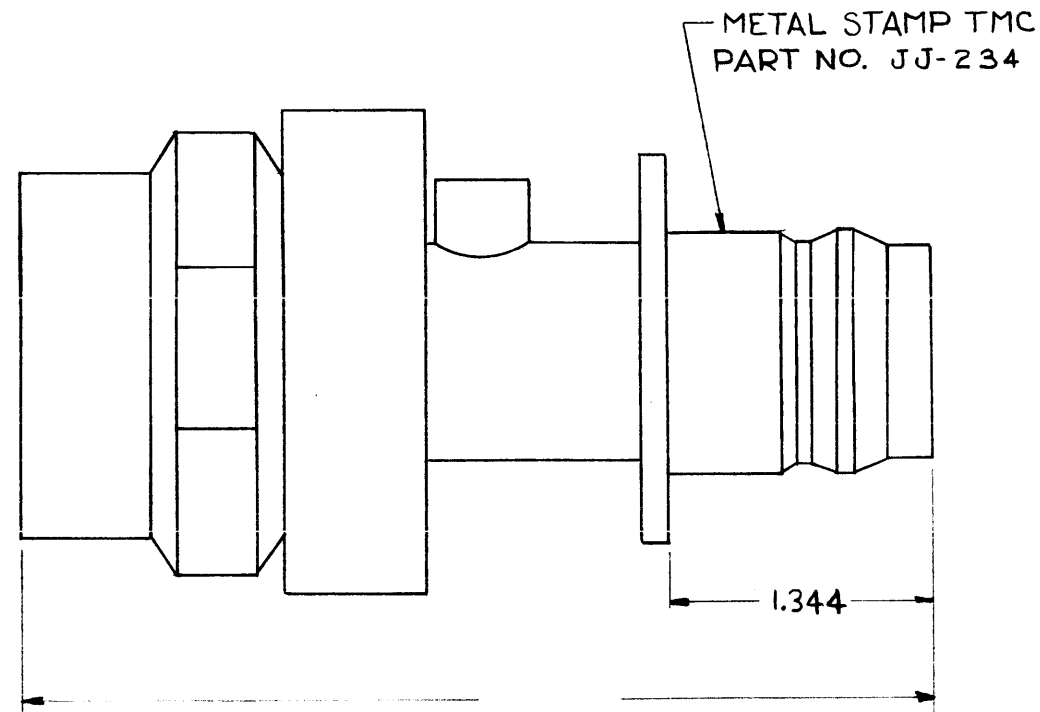
SPECIFICATIONS
 SERIES ~ QDL
 N° OF CONTACTS ~ ONE (1)
 TYPE OF CONTACT ~ FEMALE
 DIELECTRIC ~ TEFLON

ELECTRICAL DATA
 MAX. PEAK OPR. VOLT ~
 NOMINAL IMPEDANCE ~ 70 Ω

CABLE ACCOMODATIONS
 TYPE ~ 1-1/8 STYROFLEX
 MAX. O.D. ~

MATERIAL
 EXTERNAL PARTS ~ ALUMINUM
 CONTACTS ~ FEMAL - BERYLLIUM

FINISH
 EXTERNAL PARTS ~
 CONTACTS ~



REQ.	ITEM	PART NO.	DESCRIPTION	SYMBOL
			THE TECHNICAL MATERIEL CORP. MAMARONECK, NEW YORK	
STOCK SIZE			CONNECTOR, RECEPTACLE	
SEE NOTE			1-1/8 STYROFLEX-70Ω - TO QDL	
MATERIAL			G.S.	
TYPE & TEMPER		HEAT TREAT. SPEC.	DRAWN	CHECKED
SEE NOTE				FINAL APPROVAL
FINISH & SPEC. NO.			ELEC. DES. APP.	MECH. DES. APP.

SYM	DESCRIPTION	DATE	CH. NO.	DRAFTS	CHECKER	ENG. APP.
UNLESS OTHERWISE SPECIFIED:		SCALE: S-401-70-(2424)				
DIMENSIONS ARE IN INCHES		MAXIMUM ALLOWABLE TOLERANCES HAVE BEEN DETERMINED AND ANY DEVIATIONS WILL BE CAUSE FOR REJECTION.				
TOLERANCES ON		REMOVE ALL BURRS AND SHARP EDGES				
FRACTIONS ± 1/64		DECIMALS ± .05		ANGLES ± 1/2°		

REQ. PER UNIT	MODEL	SECTION	ASS'Y. NO.	DATE

USED ON