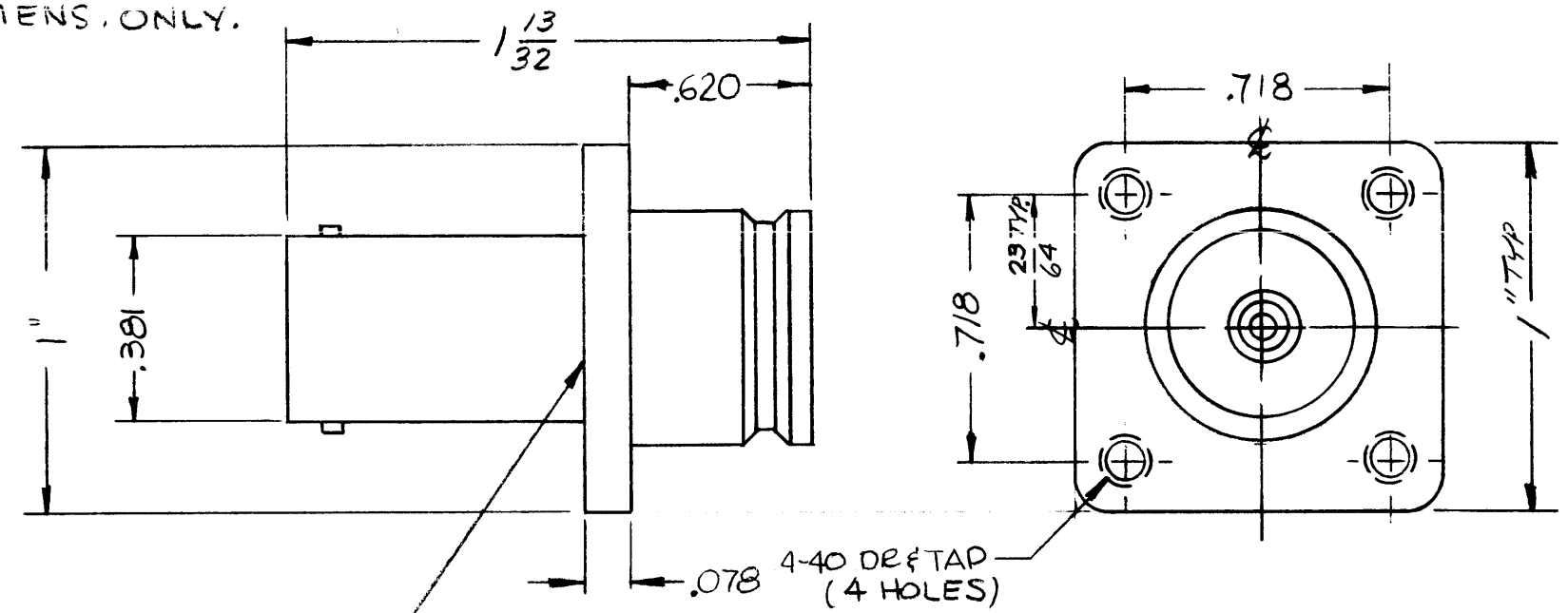


JJ-227
A

SPECIFICATIONS
 SERIES - BNC(F) TO QDS (F)
 NO. OF CONTACTS - ONE (1)
 TYPE OF CONTACT - FEMALE
 DIELECTRIC - TEFLON
ELECTRICAL DATA
 MAX. PEAK VOLT. - 5KV
 FREQ. LIMIT - 1,000 MCS
 NOM. IMPEDANCE - 50 Ω

MATERIAL
 EXTERNAL PARTS - BRASS
 CONTACT - BERYLLIUM COPPER
FINISH
 EXTERNAL PARTS - SILVER PLATE &
 RHODIUM FLASH
 CONTACT - SILVER PLATE &
 GOLD FLASH

REF. DIMENS. ONLY.



NOTE:
 METAL STAMP TMC PART NO.
 JJ-227, 1/8 HIGH GOTHIC.

NOTICE TO PERSONS RECEIVING THIS DRAWING

THE TECHNICAL MATERIEL CORPORATION claims proprietary right in the material disclosed hereon. This drawing is issued in confidence for engineering information only and may not be reproduced or used to manufacture anything shown hereon without permission from THE TECHNICAL MATERIEL CORPORATION to the user. This drawing is loaned for mutual assistance and is subject to recall at any time.

Property of:
 THE TECHNICAL MATERIEL CORPORATION
 MAMARONECK, NEW YORK

SYM	DESCRIPTION	DATE	CH. NO.	DRAFTS	CHECKER	ENG. APP.
A	DIM. .620 & .078 ADDED 4-40 HOLE WAS 1/8	4-12-66	16085	WVW	QCS	MM
UNLESS OTHERWISE SPECIFIED:						
DIMENSIONS ARE IN INCHES						
TOLERANCES ON						
FRACTIONS ± 1/64 DECIMALS ± .05 ANGLES ± 1/2°						
SCALE: S401-70-2349						
MAXIMUM ALLOWABLE TOLERANCES HAVE BEEN DETERMINED AND ANY DEVIATIONS WILL BE CAUSE FOR REJECTION.						
REMOVE ALL BURRS AND SHARP EDGES						

REQ. PER UNIT	MODEL	SECTION	ASS'Y. NO.	DATE
				11-17-61
USED ON				

REQ. ITEM	PART NO.	DESCRIPTION	SYMBOL
		THE TECHNICAL MATERIEL CORP. MAMARONECK, NEW YORK	
		ADAPTER, CONNECTOR, RECEPTACLE, BNC TO QDS	
		MATERIAL	
		TYPE & TEMPER	
		HEAT TREAT. SPEC.	
		FINISH & SPEC. NO.	
		ELEC. DES. APP.	
		MECH. DES. APP.	
		DRAWN	
		CHECKER	
		FINAL APPROVAL	
		JJ-227	A