

THE CONTENTS OF THIS DRAWING ARE THE EXCLUSIVE PROPERTY OF THE TECHNICAL MATERIEL CORP. ITS UNAUTHORIZED USE OR REPRODUCTION IN WHOLE OR IN PART IS STRICTLY FORBIDDEN.

REQ. PER UNIT

USED ON

MODEL

ASS'Y. NO.

DATE

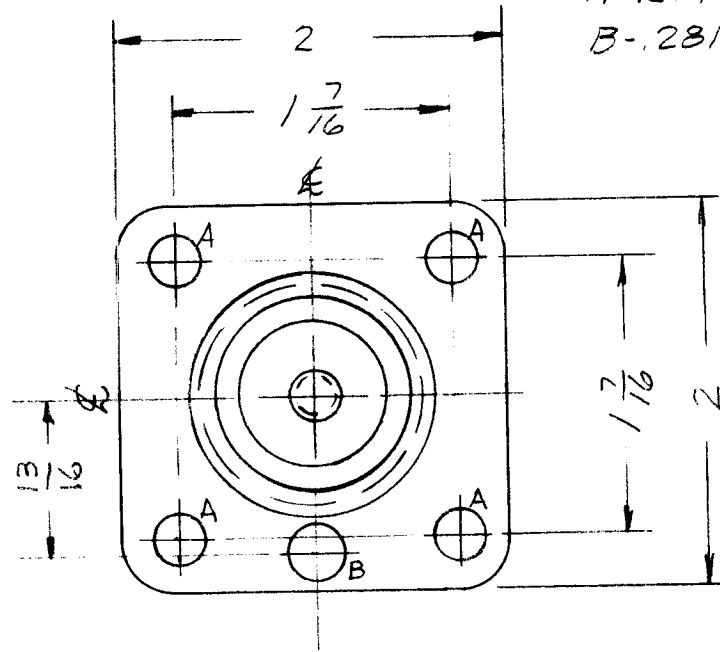
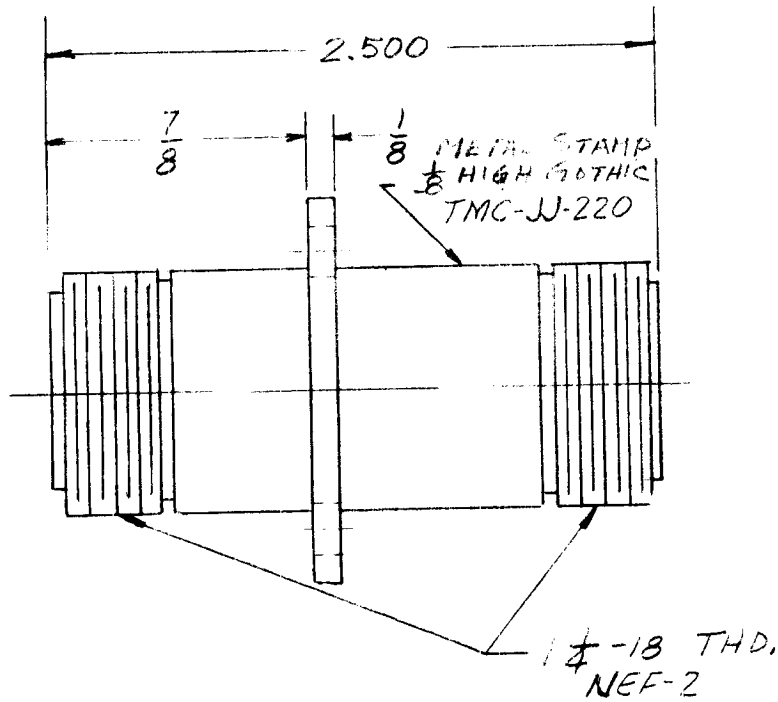
10-4-61

JJ-220

HOLES

A-.257 DIA. 4 REQ'D.

B-.281 DIA. 1 REQ'D.



SPECIFICATIONS

Series- LC
No. of Contacts- one (1)
Type of Contacts- Female
Dielectric- Teflon

ELECTRICAL DATA

Max. Peak Volt-5KV
Nom. Impedance- 50 Ω
Freq. Limit- 1000 MCS.

MATERIAL

External Parts- Brass
Contacts-Beryllium Copper

FINISH

External Parts- Silver Plate
.0002
Rhodium Flash- .00005
Contacts-Silver plate-.0002
Gold flash .0001

REQ.	ITEM	PART NO.	DESCRIPTION	SYMBOL							
			THE TECHNICAL MATERIEL CORP. MAMARONECK, NEW YORK								
			STOCK SIZE								
			MATERIAL								
			CONNECTION, RECEPTACLE LC TO LC (F)								
SYM	DESCRIPTION	DATE	CH. NO.	DRAFTS	CHECKER	ENG. APP.					
UNLESS OTHERWISE SPECIFIED: DIMENSIONS ARE IN INCHES TOLERANCES ON FRAC. ± 1/64 DEC. ± .005 ANGLES ± 1/2°		SCALE: S-401-70(2310)		MAXIMUM ALLOWABLE TOLERANCES HAVE BEEN DETERMINED AND ANY DEVIATIONS WILL BE CAUSE FOR REJECTION. REMOVE ALL BURRS AND SHARP EDGES							
							TYPE & TEMPER	HEATTREAT. SPEC.	DRAWN	CHECKED	FINAL APPROVAL
											JJ-220
							FINISH & SPEC. NO.		ELEC. DES. APP.	MECH. DES. APP.	