

| | | | | |
|---------------|---------|-----------|---------|----------|
| REQ. PER UNIT | USED ON | | | JJ-216 E |
| | MODEL | ASSY. NO. | DATE | |
| | HFI-1 | | 9-15-61 | |

NOTES:

1. Material - Diallyl phthalate glass-filled per MIL-M-19833, Type GDI-30 (GD).
2. Socket Contact - Phosphor bronze gold plated .00003 minimum thickness over .0002 silver plate.
3. Male and Female Mounting Plate and Bushing - Stainless steel, Type 303 passivated.
4. Mounting - Screws and Nuts - Brass cadmium plated per QQ-P-416 Class 3.
5. Solder cup to accept A 16 AWG wire.

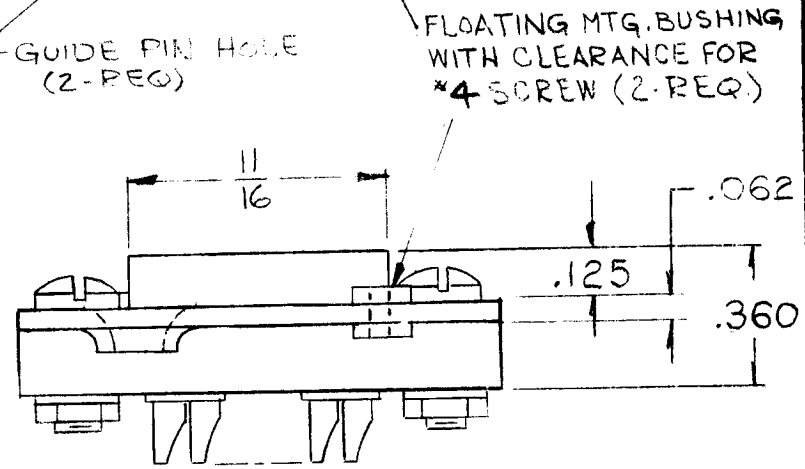
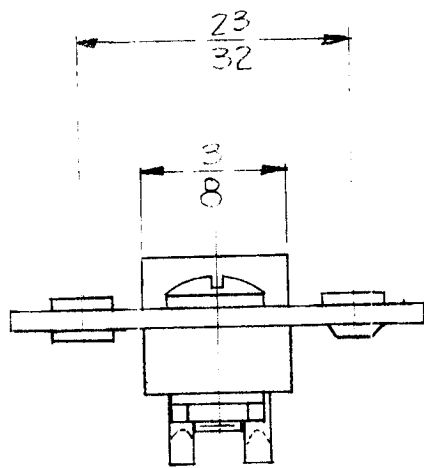
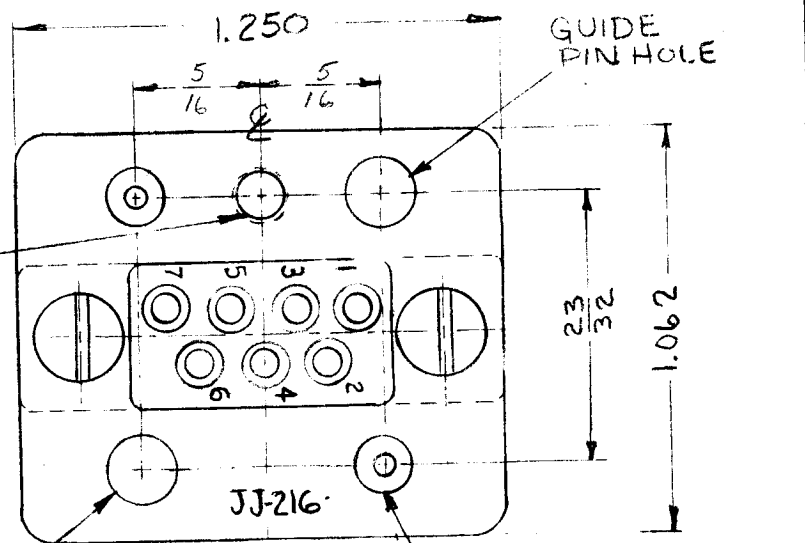
REF: MATES WITH JJ-245

NOTICE TO PERSONS RECEIVING THIS DRAWING

THE TECHNICAL MATERIEL CORP. has a proprietary right in the material shown on this drawing. This drawing is issued to you for information only and may not be used to manufacture any thing without the permission from THE TECHNICAL MATERIEL CORPORATION to the user. This drawing is issued for mutual assistance and is subject to recall at any time.

Property of
THE TECHNICAL MATERIEL CORPORATION
MAMARONECK, NEW YORK

STAMP TMC PART NO. V8 HIGH, GOTHIC, AS SHOWN.



| REQ. | ITEM | PART NO. | DESCRIPTION | | SYMBOL |
|--------------------|---------------------|--|--|----------------|----------|
| | | | THE TECHNICAL MATERIEL CORP. MAMARONECK, NEW YORK | | |
| STOCK SIZE | | | CONNECTOR, RECEPTACLE, FEMALE | | |
| MATERIAL | | | | | |
| E | PICTORIAL CLARIFIED | 2-28-63 8288 | R LOPEZ | | |
| ISSUE | ITEM | CHANGED FROM | DATE | CH. NO. | DRAFTS |
| TOLERANCES | | SCALE 5/16" = 1" (MTS-16-SPMPGD) | | | |
| DEC. DIM. ± | | MAXIMUM ALLOWABLE TOLERANCES HAVE BEEN DETERMINED AND ANY DEVIATIONS WILL BE CAUSE FOR REJECTION. REMOVE ALL BURRS AND SHARP EDGES | | | |
| FRAC. DIM. ± | | | | | |
| ANGULAR DIM. ± | | | | | |
| FINISH & SPEC. NO. | | | ELEC. DES. APP | MECH. DES. APP | |
| | | | 9-15-61 | | JJ-216 E |