

STANDARD DRAWING

JJ-177-B

SPECIFICATIONS

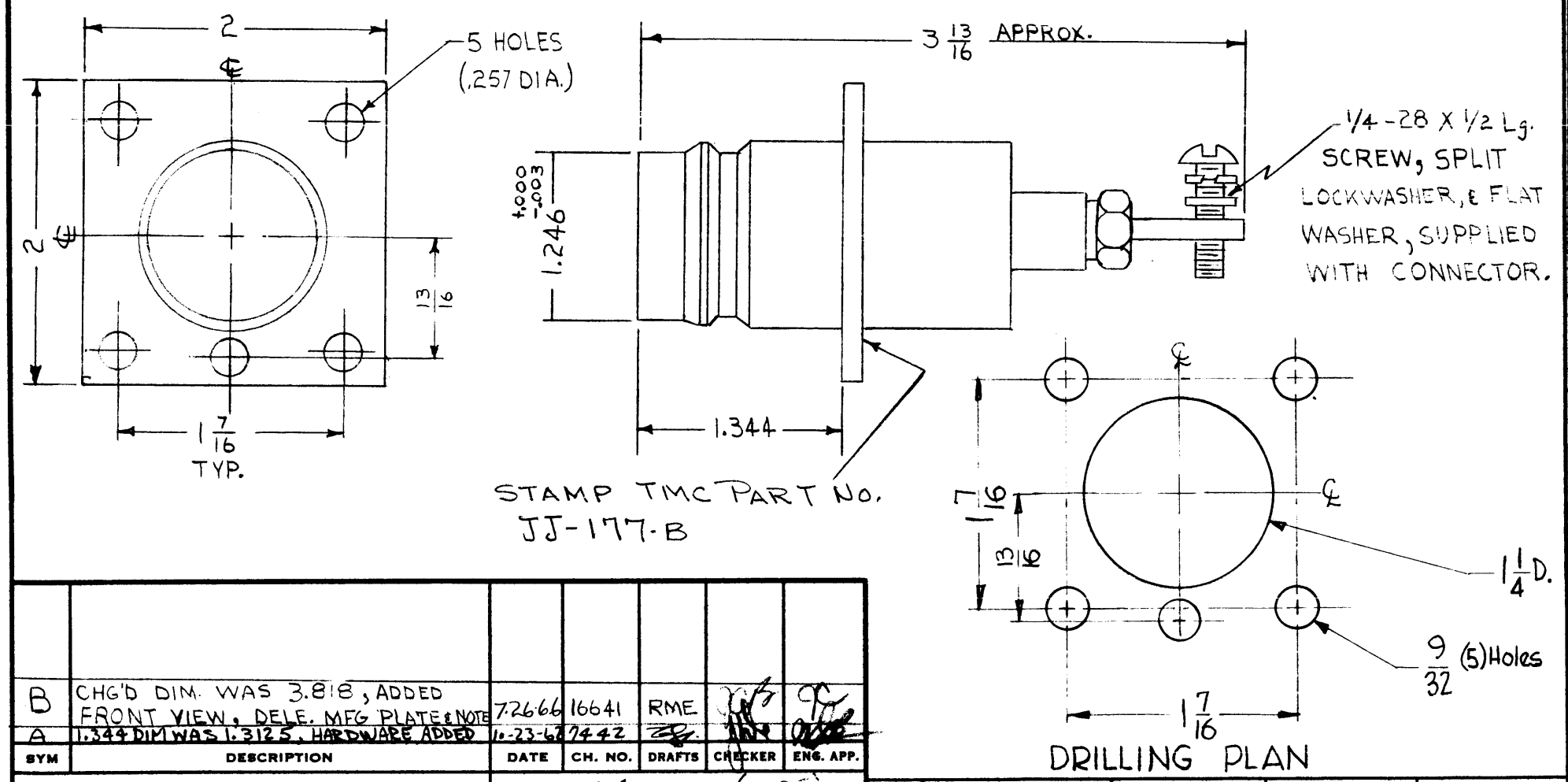
SERIES ~ QDL
 NO OF CONTACTS ~ ONE (1)
 TYPE OF CONTACT ~ FEMALE
 DIELECTRIC ~ TEFLON
 ELECTRICAL DATA
 MAX. PEAK VOLT. ~ 10 KV
 FREQ. LIMIT. ~
 NOM. IMPEDANCE ~ 50 Ω

CABLE ACCOMODATIONS

TYPE ~
 MAX. O.D. ~
 IMPEDANCE ~

MATERIAL

EXTERNAL PARTS ~ BRASS
 CONTACT ~ BERYLLIUM COPPER
 FINISH
 EXT. PARTS ~ SILVER PLATE &
 RHODIUM FLASH.
 CONTACT ~ SILVER PLATE & GOLD
 FLASH.



STAMP TMC PART NO.
 JJ-177-B

NOTICE TO PERSONS RECEIVING THIS DRAWING

THE TECHNICAL MATERIEL CORPORATION claims proprietary right in the material disclosed hereon. This drawing is issued in confidence for engineering information only and may not be reproduced or used to manufacture anything shown hereon without permission from THE TECHNICAL MATERIEL CORPORATION to the user. This drawing is loaned for mutual assistance and is subject to recall at any time.

Property of:
 THE TECHNICAL MATERIEL CORPORATION
 MAMARONECK, NEW YORK

SYM	DESCRIPTION	DATE	CH. NO.	DRAFTS	CHECKER	ENG. APP.
B	CHGD DIM. WAS 3.818, ADDED FRONT VIEW, DELE. MEG PLATE & NOTE	7-26-66	16641	RME		
A	1.344 DIM WAS 1.3125, HARDWARE ADDED	10-23-67	7442			

UNLESS OTHERWISE SPECIFIED:
 DIMENSIONS ARE IN INCHES
 TOLERANCES ON FRACTIONS ± 1/64 DECIMALS ± .005 ANGLES ± 1/2°

SCALE: S-401-70 (1039)

MAXIMUM ALLOWABLE TOLERANCES HAVE BEEN DETERMINED AND ANY DEVIATIONS WILL BE CAUSE FOR REJECTION. REMOVE ALL BURRS AND SHARP EDGES

REQ. PER UNIT	MODEL	SECTION	ASS'Y. NO.	DATE
				5-17-61
USED ON				

REQ. ITEM	PART NO.	DESCRIPTION	SYMBOL
THE TECHNICAL MATERIEL CORP. MAMARONECK, NEW YORK			
CONNECTOR, RECEPTACLE			
QDL SERIES			
DRAWN		CHECKER	FINAL APPROVAL
ELEC. DES. APP.		MECH. DES. APP.	