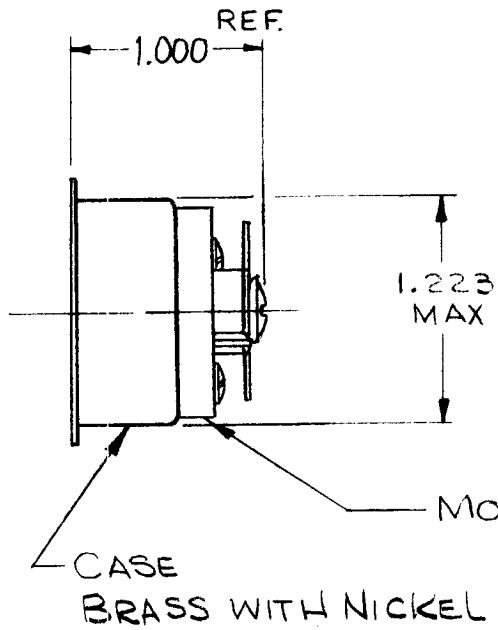
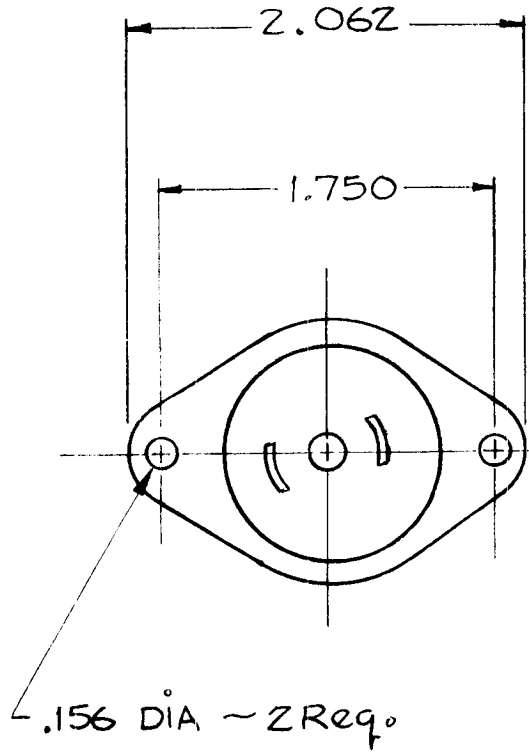


REQ. PER. UNIT	USED ON			JJ-175	B
	MODEL	ASS'Y. NO.	DATE		
			5-13-59		



SPECIFICATIONS:

MIDGET SIZE
 POLARIZED
 10 AMPS, 250 VOLTS
 15 AMPS, 125 VOLTS

DIM. REF. UNLESS OTHERWISE SPECIFIED

ISSUE	ITEM	CHANGED FROM	DATE	CH. NO.	DRAFTS	CHECKER	ENG. APP.	REQ.	ITEM	PART NO.	DESCRIPTION	SYMBOL	
											THE TECHNICAL MATERIEL CORP. MAMARONECK, NEW YORK		
E		1.223 MAX DIM. WAS 1.218; ADDED REF TO 1.000 & DIM. REF. NOTE	6/15/66	16412	JL	OCB	QC				PLUG, TWIST LOCK, MALE		
A		UPDATED PICTORIAL	4/4/66	16053	HCA	OCB	QC				CHASSIS MOUNT (POLARIZED)		
TOLERANCES			SCALE: 1" = 1/4" - 45 (1/4) 5/1					TYPE & TEMPER		HEAT TREAT. SPEC.		J.C. BIELE	
DEC. DIM. ± FRAC. DIM. ± ANGULAR DIM. ±			MAXIMUM ALLOWABLE TOLERANCES HAVE BEEN DETERMINED AND ANY DEVIATIONS WILL BE CAUSE FOR REJECTION. REMOVE ALL BURRS AND SHARP EDGES					DRAWN		CHECKED			
								FINISH & SPEC. NO.		ELEC. DES. APP		MECH. DES. APP	
											JJ-175	B	