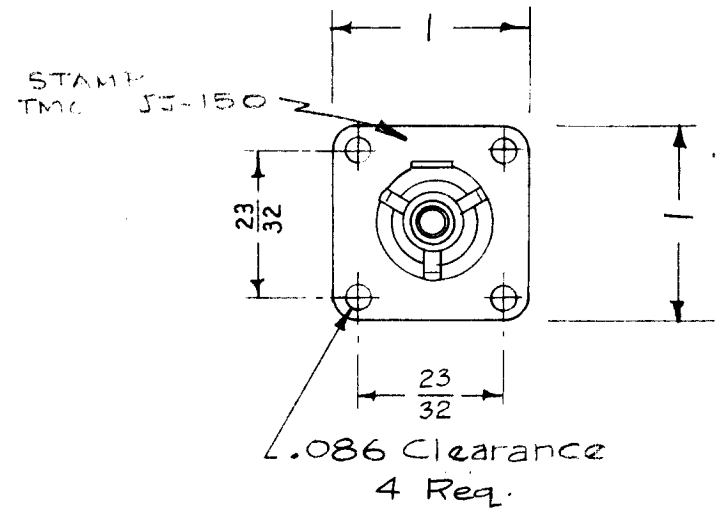
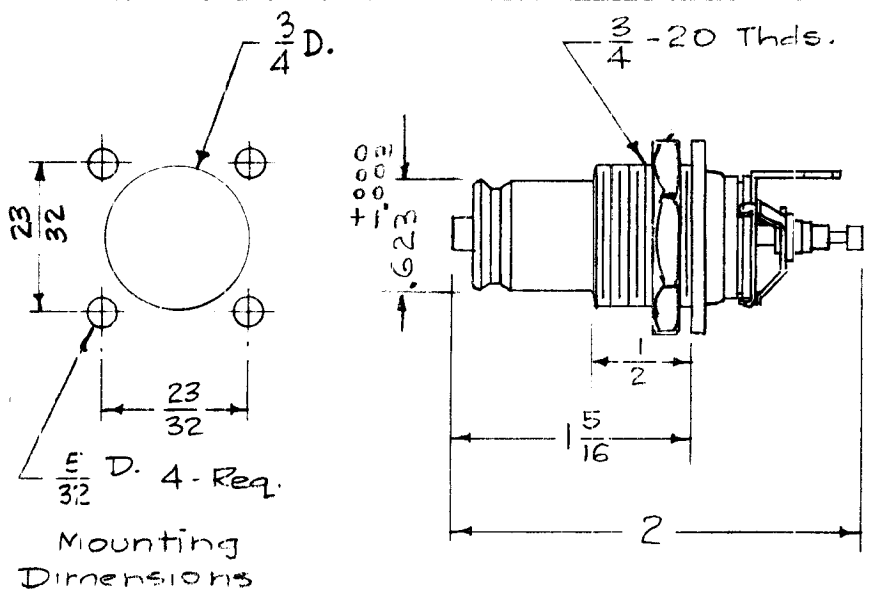


SPECIFICATIONS SERIES~QDS(SWITCH TYPE) NO OF CONTACTS~ONE(1) TYPE OF CONTACT~FEMALE DIELECTRIC ~TEFLON	ELECTRICAL DATA MAX. PEAK VOLTAGE~5KV NOMINAL IMPEDANCE~50Ω MATING ACCOMODATIONS TYPE~	MATERIAL EXTERNAL PARTS~BRASS CONTACTS~BERYLLIUM COPPER FINISH EXTERNAL PARTS~SILVER PLATE & RHODIUM FLASH CONTACTS~SILVER PLATE & GOLD FLASH	USED ON		
			REQ. PER UNIT	MODEL	ASS'Y. NO.
			JJ-150 A		



NOTE~Hexagon Mounting Nut & Internal Lockwasher Supplied by Mfg.

Notes: All dimensions for reference only. (except Mounting Dim.) Dimension shown with switch closed (Normal)

REQ.	ITEM	PART NO.	DESCRIPTION				SYMBOL
			THE TECHNICAL MATERIEL CORP. MAMARONECK, NEW YORK				
			CONNECTOR, RECEPTACLE, SWITCH TYPE				
A	1	Specifications Added	5/8/61				
ISSUE	ITEM	CHANGED FROM	DATE	CH. NO.	DRAFTS	CHECKER	ENG. APP.
TOLERANCES			SCALE: S-401-70 (3103)				
DEC. DIM. ±			MAXIMUM ALLOWABLE TOLERANCES HAVE BEEN DETERMINED AND ANY DEVIATIONS WILL BE CAUSE FOR REJECTION. REMOVE ALL BURRS AND SHARP EDGES				
FRAC. DIM. ±							
ANGULAR DIM. ±							
TYPE & TEMPER		HEAT TREAT. SPEC.		DRAWN		CHECKED	
FINISH & SPEC. NO.		ELEC. DES. APP.		MECH. DES. APP.		JJ-150 A	