

SPECIFICATIONS

SERIES ~ QDS to UHF
 NO. OF CONTACTS ~ ONE (1) EACH END
 TYPE OF CONTACT ~ FEMALE
 DIELECTRIC ~ TEFLON
ELECTRICAL DATA
 MAX. PEAK VOLT. ~ 5,000 VOLTS
 NOM. IMPEDANCE ~ 50 Ω

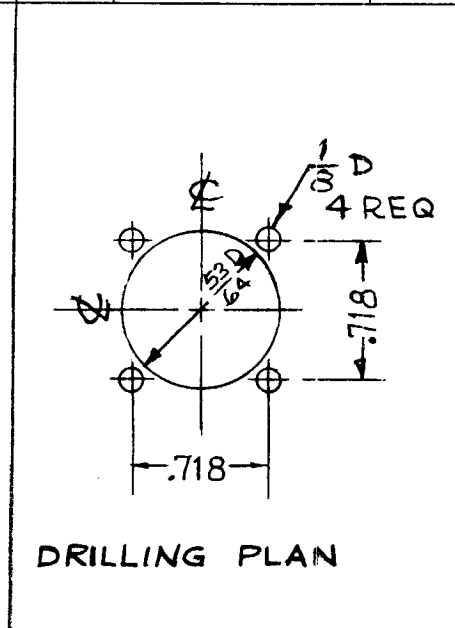
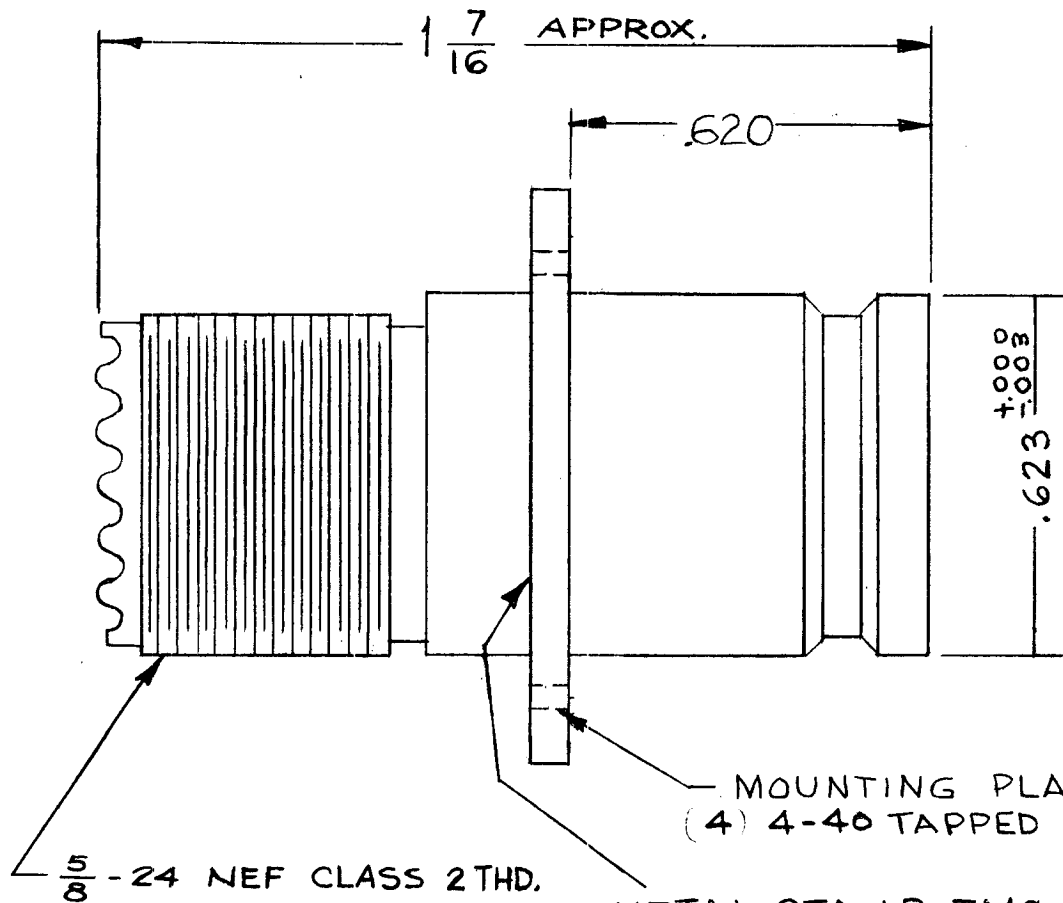
MATERIAL

EXTERNAL PARTS ~ BRASS
 CONTACTS ~ BERYLLIUM
 COPPER

FINISH

EXTERNAL PARTS ~ SILVER PLATE &
 RHODIUM FLASH
 CONTACTS ~ SILVER PLATE &
 GOLD FLASH

| | | | |
|---------------|---------|------------|----------|
| REQ. PER UNIT | USED ON | | JJ-147 E |
| | MODEL | ASS'Y. NO. | |



MOUNTING PLATE 1" SQ.
 (4) 4-40 TAPPED HOLES ON .718 Ø.
 METAL STAMP TMC PART TMC JJ-147
 1/8" HIGH GOTHIC.

| | | | | | | | |
|-------|------|-----------------------------------------|---------|---------|--------|---------|-----------|
| E | | DIM CLARIFIED DR. PLAN ISOLATED | 4-12-66 | 16085 | WFW | JCA | |
| D | 1 | SPECIFICATIONS ADDED | 5/8/61 | | DRM | JCA | |
| C | 3 | TAPERED SHOULDER CLARIFIED | 4-18-61 | 4704 | WAF | JCA | DRM |
| | 2 | .712 DIM WAS 11/16 .165 DIM WAS 3/16 | | | | | |
| B | 2 | 3/16 DIM WAS 1/4 | 8-3-60 | 2695 | CY | JCA | DRM |
| A | 1 | 1/4 DRILLING 3/16 R. WAS 13/16 R. | 6-25-58 | 400 | HC | JCA | DRM |
| ISSUE | ITEM | CHANGED FROM | DATE | CH. NO. | DRAFTS | CHECKER | ENG. APP. |

| REQ. | ITEM | PART NO. | DESCRIPTION | SYMBOL |
|------|------|--------------------|------------------------------------------------------|-----------------|
| | | | THE TECHNICAL MATERIEL CORP. MAMARONECK, NEW YORK | |
| | | STOCK SIZE | ADAPTER, CONNECTOR | |
| | | MATERIAL | QDS TO UHF | |
| | | | 9-4-57 | |
| | | TYPE & TEMPER | DRAWN | CHECKED |
| | | HEAT TREAT. SPEC. | 16 | DRM |
| | | FINISH & SPEC. NO. | ELEC. DES. APP. | MECH. DES. APP. |

TOLERANCES
 DEC. DIM. ±
 FRAC. DIM. ± 1/64
 ANGULAR DIM. ±

SCALE: S401-70 (2082)

MAXIMUM ALLOWABLE TOLERANCES HAVE BEEN DETERMINED AND ANY DEVIATIONS WILL BE CAUSE FOR REJECTION.
 REMOVE ALL BURRS AND SHARP EDGES

JJ-147 E