

IF IT IS FOUND DESIRABLE TO CHANGE ANY TOLERANCE OR OTHER DETAIL SPECIFIED ON THIS DRAWING NOTIFY THE PURCHASER PROMPTLY.

STANDARD DRAWING

JJ-024

MAXIMUM ALLOWABLE TOLERANCES HAVE BEEN DETERMINED AND DEVIATIONS WILL BE CAUSE FOR REJECTION. REMOVE ALL BURRS AND SHARP EDGES

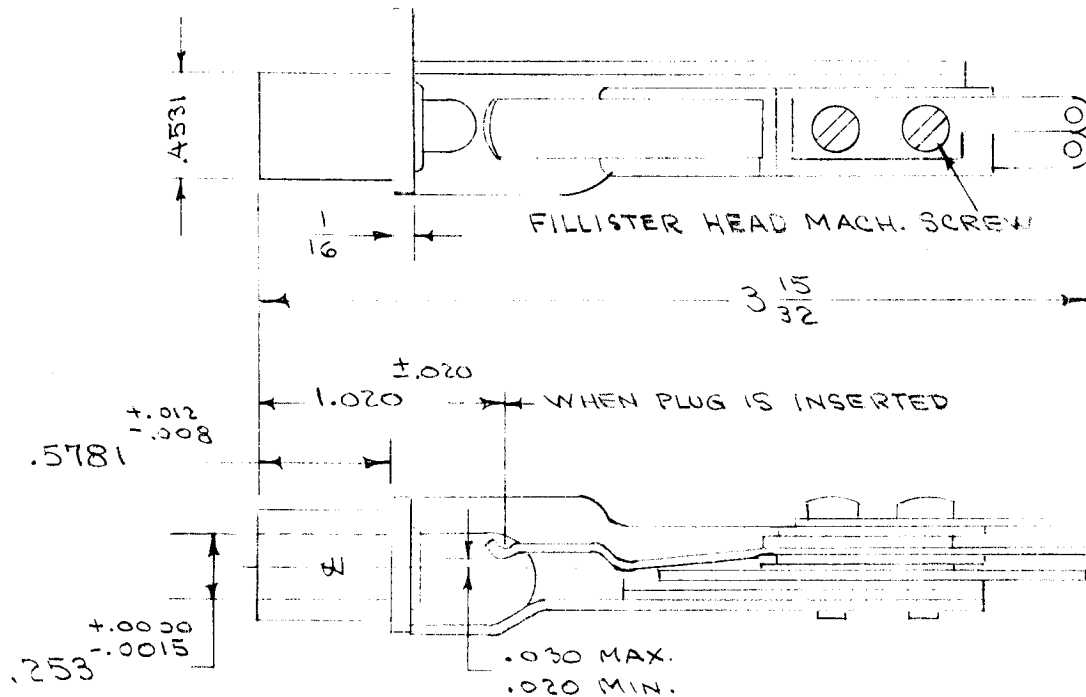
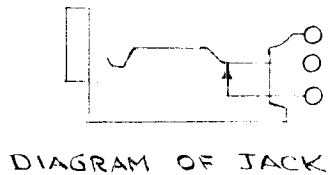
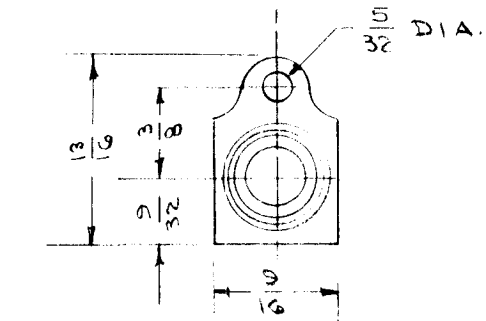
USED ON

MODEL

PROJECT NO.

ASS'Y. NO.

DATE



DIMENSIONS FOR REF. ONLY
 JACKS IN ACC. WITH SPEC. JAN-J-641 & AMEND.

| REQ. | ITEM | PART NO. | DESCRIPTION | SYMBOL |
|--------------------|------|----------------|---|-----------------|
| | | | THE TECHNICAL MATERIEL CORP. MAMARONECK, NEW YORK | |
| # | | | JACK, TELEPHONE TYPE | |
| STOCK SIZE | | | | |
| # | | | | |
| MATERIAL | | WEIGHT PER PC. | | |
| # | | | | |
| TYPE & TEMPER | | LG 11/13/52 | | P.B |
| # | | DRAWN | | ELEC. DES. APP. |
| # | | H.D.E | | MECH. DES. APP. |
| HEAT TREAT. SPEC. | | CHECKED | | FINAL APPROVAL |
| # | | | | JJ-024 |
| FINISH & SPEC. NO. | | | | |

| ISSUE | ITEM | CHANGED FROM | DATE | CN. NO. | DRAFTS | CHECKER | ENG. APP. |
|-------|------|--------------|------|---------|--------|---------|-----------|
| | | | | | | | |

| TOLERANCES | SCALE |
|---|---|
| DEC. DIM. ± .005 FRAC. DIM. ± 1/64 ANGULAR DIM. ± | DRILL, PUNCH, COMMERCIAL STOCK SIZES AND MANUFACTURERS TOLERANCES ARE NOT INCLUDED. |