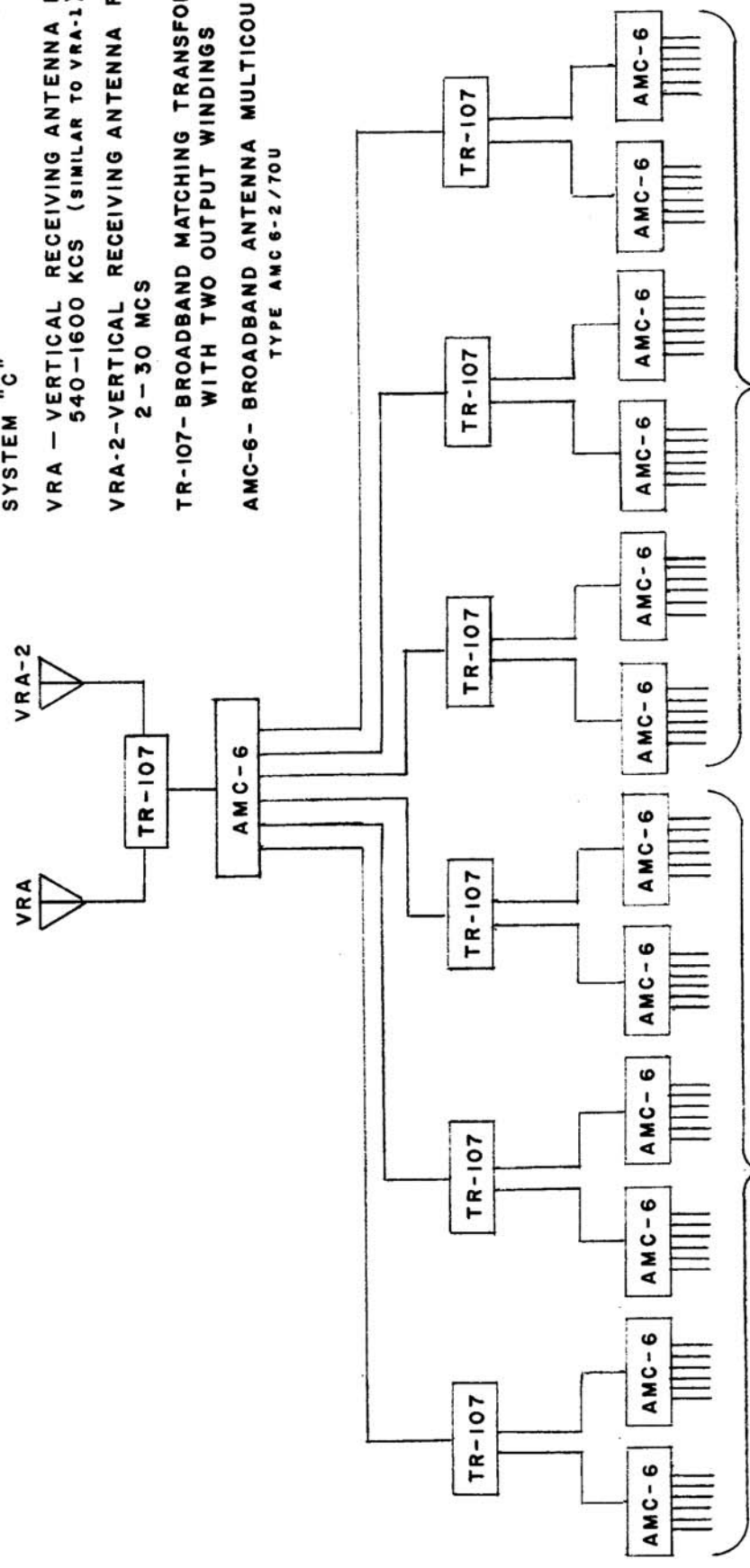


USED ON		IN - 127	
RE. PER. UNIT	MODEL	ASS'Y. NO.	DATE

SYSTEM "C"

- VRA - VERTICAL RECEIVING ANTENNA FOR 540-1600 KCS (SIMILAR TO VRA-1)
- VRA-2-VERTICAL RECEIVING ANTENNA FOR 2-30 MCS
- TR-107-BROADBAND MATCHING TRANSFORMER WITH TWO OUTPUT WINDINGS
- AMC-6- BROADBAND ANTENNA MULTICOUPLER TYPE AMC 6-2/70U



36 RECEIVERS, AS REQUIRED TO 36 RECEIVERS, AS REQUIRED

REQ. ITEM	PART NO.	DESCRIPTION	SYMBOL
		THE TECHNICAL MATERIEL CORP. MAMARONECK, NEW YORK	
		R.F. DISTRIBUTION	SYSTEM "C"
		CDD	
		DRAWN	CHECKED
		TYPE & TEMPER	HEAT TREAT. SPEC.
		FINISH & SPEC. NO.	ELEC. DES. APP. MECH. DES. APP.
		DATE	CH. NO. DRAFTS CHECKER ENG. APP.
		9/24/49	Ce
		CHANGED FROM	SCALE:
		ORIGINAL RELEASE	MAXIMUM ALLOWABLE TOLERANCES HAVE BEEN DETERMINED AND ANY DEVIATIONS WILL BE CAUSE FOR REJECTION. REMOVE ALL BURRS AND SHARP EDGES
ISSUE ITEM			
DEC. DIM. ±			
FRAC. DIM. ±			
ANGULAR DIM. ±			
			FINAL APPROVAL
			IN - 127

*Spill Wolfe*  
FINAL APPROVAL