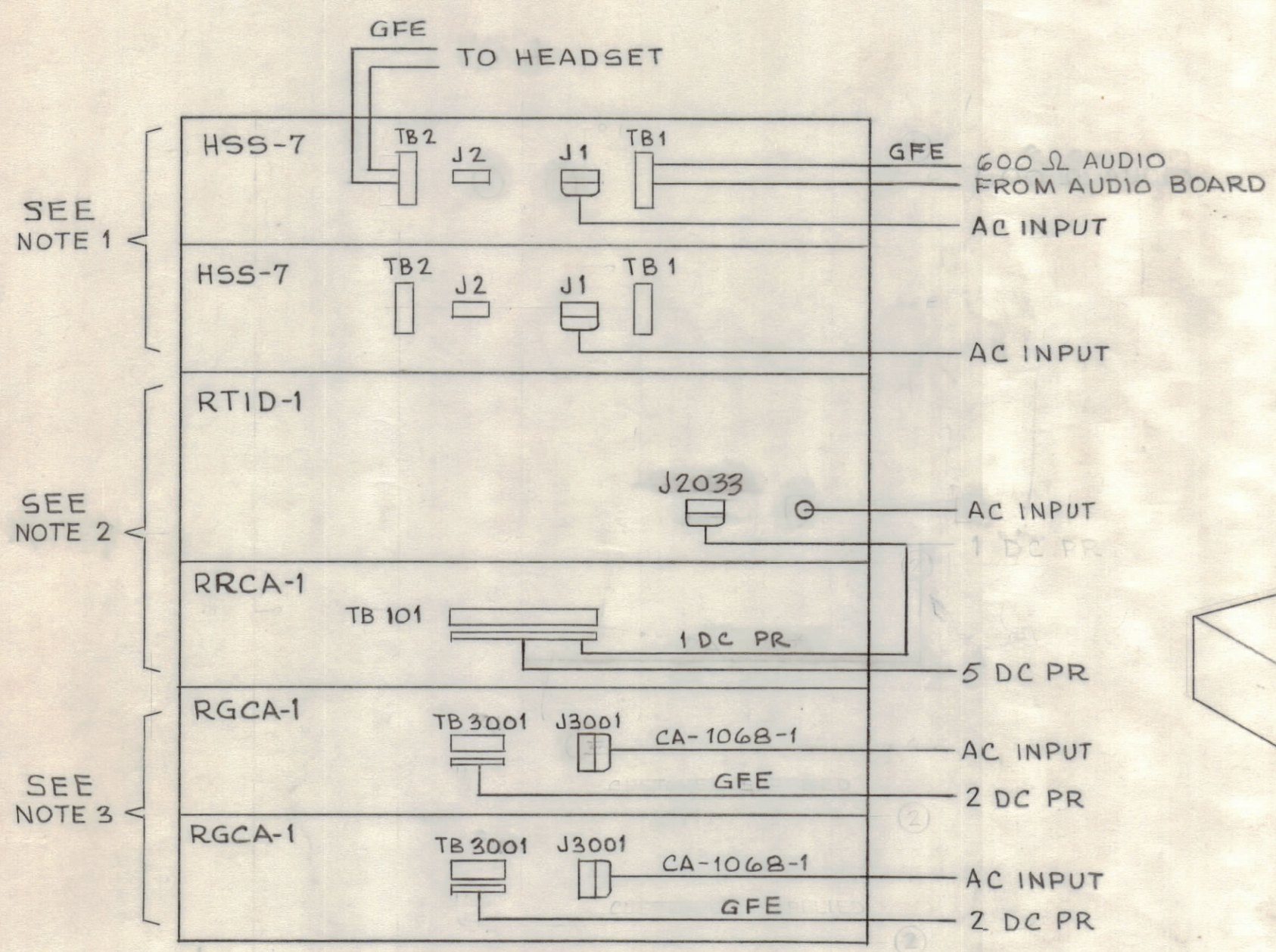
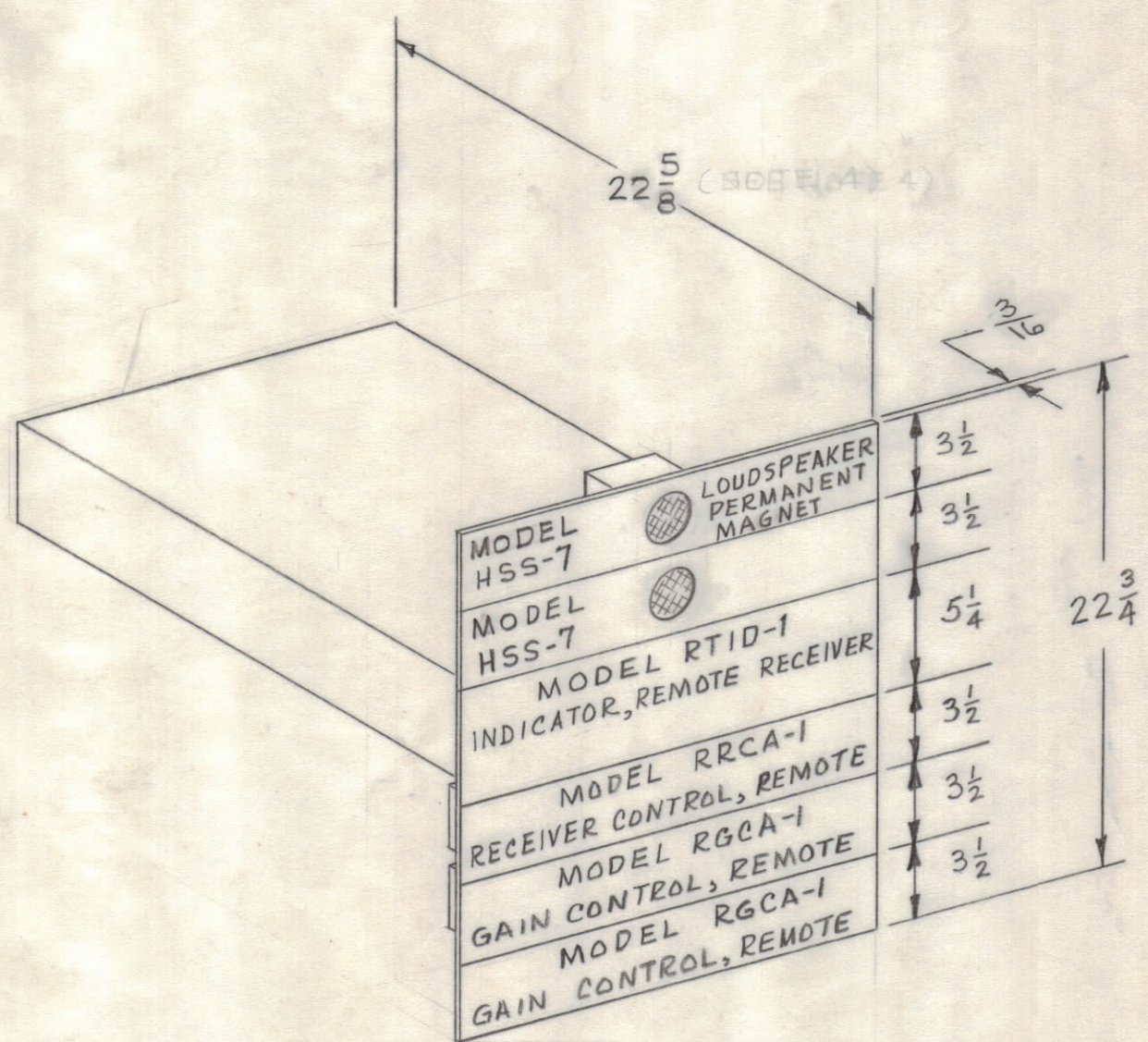


REVISIONS						
SYM	ZONE	DESCRIPTION	DATE	E.M.N. NO.	DRAFT	CHKD APPD
A		REVISED	9/21/65		MJT	
B		22 5/8 DIM. WAS 23 1/2" ADDED TECH DATA. SEE SH 4 & 5	6/1/66	16315	C.H.	<i>[Signature]</i>



REAR VIEW

FUNCTIONAL INTERCONNECTION DIAGRAM



TECHNICAL DATA

POWER INPUT	124 WATTS
VOLTAGE	115/230 VAC
PHASE	SINGLE ϕ
FREQUENCY	50/60 CPS
HEAT DISSIPATION	124 W, 422 BTU/HR
AMBIENT TEMP. RANGE	0° TO 50°C
RELATIVE HUMIDITY	0 TO 90%
WEIGHT	102 LBS

CABLE RECOMMENDED

- ① TTRS-2 (1 SPARE)
- ② TTRS-6 (1 SPARE)

NOTES:

1. SEE SHEET 2.
2. SEE SHEET 3 AND 4
3. SEE SHEET 5
4. SEE SHEET 6 FOR INSTALLATION MATERIAL LIST
5. FOR CABLING DETAIL SEE ID-325 SHEET 4

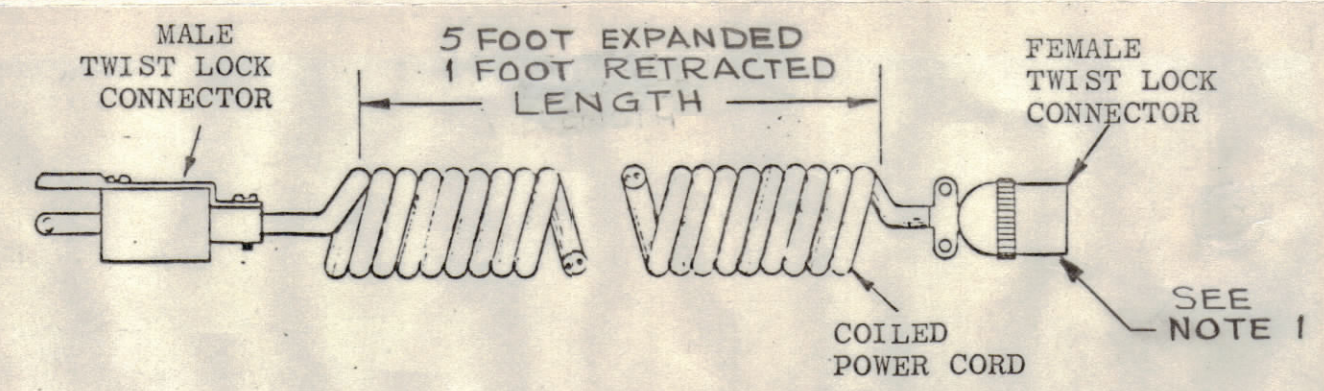
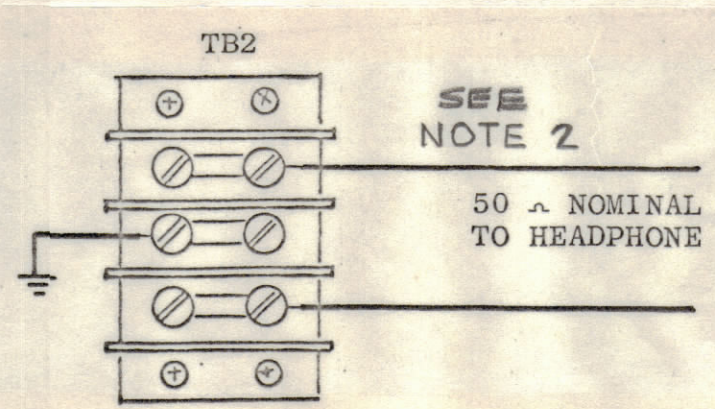
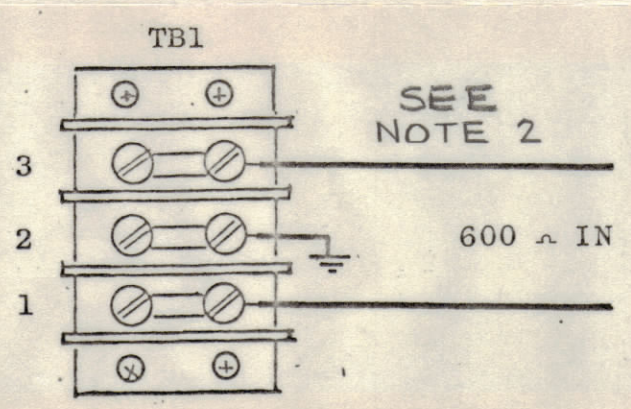
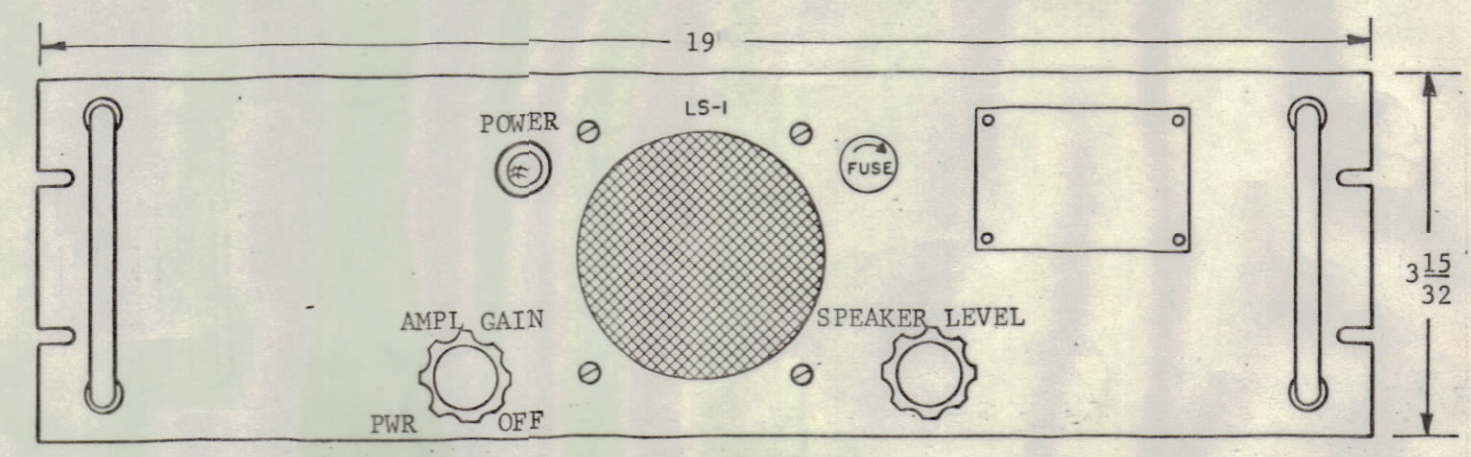
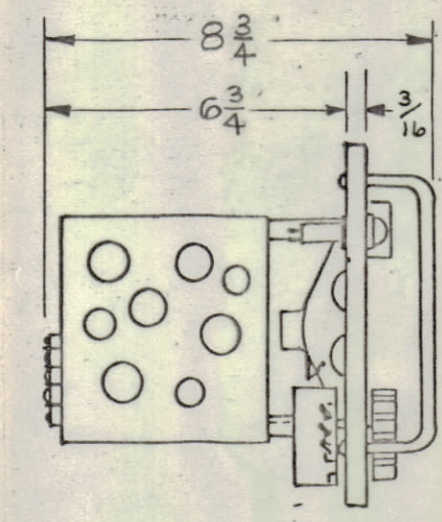
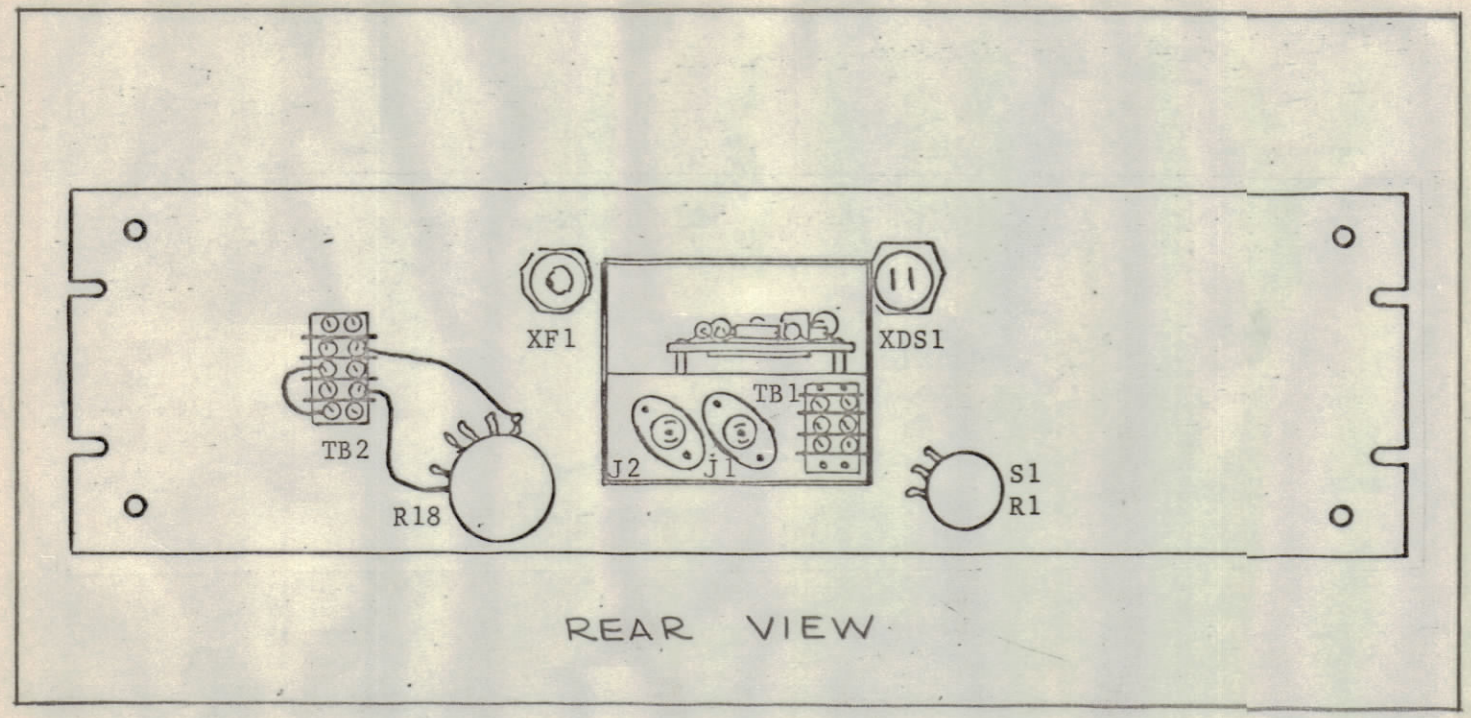
MAXIMUM ALLOWABLE TOLERANCES HAVE BEEN DETERMINED AND ANY DEVIATIONS WILL BE CAUSE FOR REJECTION.

QTY REQ	ITEM	PART NO.	DESCRIPTION	SYMBOL												
BILL OF MATERIAL																
THE TECHNICAL MATERIEL CORP. MAMARONECK, NEW YORK																
CONTROL MONITOR GROUP, MODEL RCWB-1																
SUGGESTED EQUIPMENT LAYOUT INTERCONNECTION DIAGRAM MODELS HSS-7, RTID-1, RRCA-1 & RGCA-1																
UNLESS OTHERWISE SPECIFIED DIMENSIONS ARE IN INCHES TOLERANCES ON FRACTIONS DECIMALS ANGLES $\pm 1/64$ $\pm .005$ $\pm 1/2^\circ$			<table border="1"> <tr> <td>FINAL APPROVAL</td> <td>DATE</td> </tr> <tr> <td>MECH. DES.</td> <td>DATE</td> </tr> <tr> <td>ELECT. DES.</td> <td>DATE</td> </tr> <tr> <td>CHECKED</td> <td>DATE</td> </tr> <tr> <td>DRAWN</td> <td>DATE</td> </tr> <tr> <td>M. TANTILLO</td> <td>5-7-65</td> </tr> </table>		FINAL APPROVAL	DATE	MECH. DES.	DATE	ELECT. DES.	DATE	CHECKED	DATE	DRAWN	DATE	M. TANTILLO	5-7-65
FINAL APPROVAL	DATE															
MECH. DES.	DATE															
ELECT. DES.	DATE															
CHECKED	DATE															
DRAWN	DATE															
M. TANTILLO	5-7-65															
MATERIAL			<table border="1"> <tr> <td>APPROVED FOR BUSHIPS</td> <td>CODE</td> <td>SIZE</td> <td>DWG. NO.</td> <td>ISSUE</td> </tr> <tr> <td></td> <td>82679</td> <td>C</td> <td>ID-325</td> <td>B</td> </tr> </table>		APPROVED FOR BUSHIPS	CODE	SIZE	DWG. NO.	ISSUE		82679	C	ID-325	B		
APPROVED FOR BUSHIPS	CODE	SIZE	DWG. NO.	ISSUE												
	82679	C	ID-325	B												
FINISH			<table border="1"> <tr> <td>CONTRACT NO.</td> <td>SCALE</td> <td>SHEET</td> </tr> <tr> <td>N600(63133-11-126) 63002</td> <td>NONE</td> <td>1 OF 6</td> </tr> </table>		CONTRACT NO.	SCALE	SHEET	N600(63133-11-126) 63002	NONE	1 OF 6						
CONTRACT NO.	SCALE	SHEET														
N600(63133-11-126) 63002	NONE	1 OF 6														

TECHNICAL DATA

POWER INPUT: 6 WATTS
 VOLTAGE: 115/230 VAC
 PHASE: 1 ϕ
 FREQUENCY: 50/60 CPS
 HEAT DISSIPATION: 4 WATTS - NO BTU'S
 AMBIENT TEMPERATURE RANGE: 0 TO 50°C
 RELATIVE HUMIDITY: 0 TO 90%
 WEIGHT: 5 lbs

REVISIONS							
SYM	ZONE	DESCRIPTION	DATE	E.M.N.NO.	DRAFT	CHKD	APPD
A		REVISED	9/27/65		MJT		
B		SEE SHTS 1,4 & 5	6/1/66	16315	C.H.		



CA555-4 CABLE ASSEMBLY, AC
 (SUPPLIED)

- NOTES:
 1. PLUGS INTO J1 (SEE DETAIL A) THIS SHEET.
 2. INTERIOR CABINET WIRING (GFE) SEE SHEET 6 FOR INSTALLATION MATERIAL LIST.

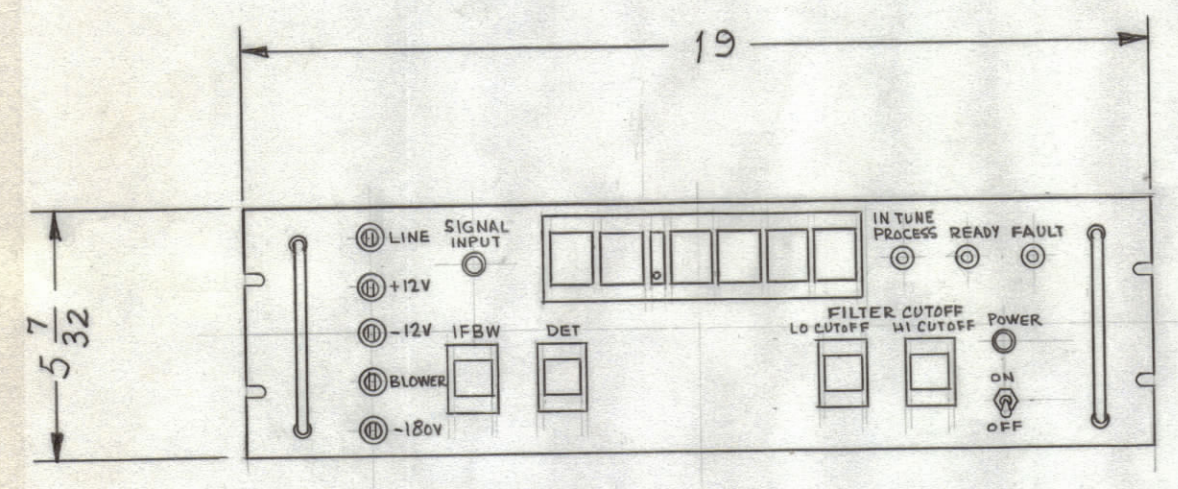
MAXIMUM ALLOWABLE TOLERANCES HAVE BEEN DETERMINED AND ANY DEVIATIONS WILL BE CAUSE FOR REJECTION.

QTY REQ	ITEM	PART NO.	DESCRIPTION	SYMBOL
BILL OF MATERIAL				
FINAL APPROVAL: <i>[Signature]</i> DATE: 5/13/65 MECH. DES. DATE: _____ ELECT. DES. DATE: 5-12-65 CHECKED: <i>[Signature]</i> DATE: 5-12-65 DRAWN: Jayness DATE: 5-1-65			THE TECHNICAL MATERIEL CORP. MAMARONECK, NEW YORK CONTROL MONITOR GROUP, MODEL RCWB-1 LOUDSPEAKER ASSEMBLY, MODEL HSS-7	
UNLESS OTHERWISE SPECIFIED DIMENSIONS ARE IN INCHES TOLERANCES ON FRACTIONS DECIMALS ANGLES $\pm 1/64$ $\pm .005$ $\pm 1/2^\circ$		APPROVED FOR BUSHIPS CODE: 82679 SIZE: C DWG. NO.: ID-325 ISSUE: B CONTRACT NO.: N600(63133-11-126)63002 SCALE: NONE SHEET 2 OF 6		

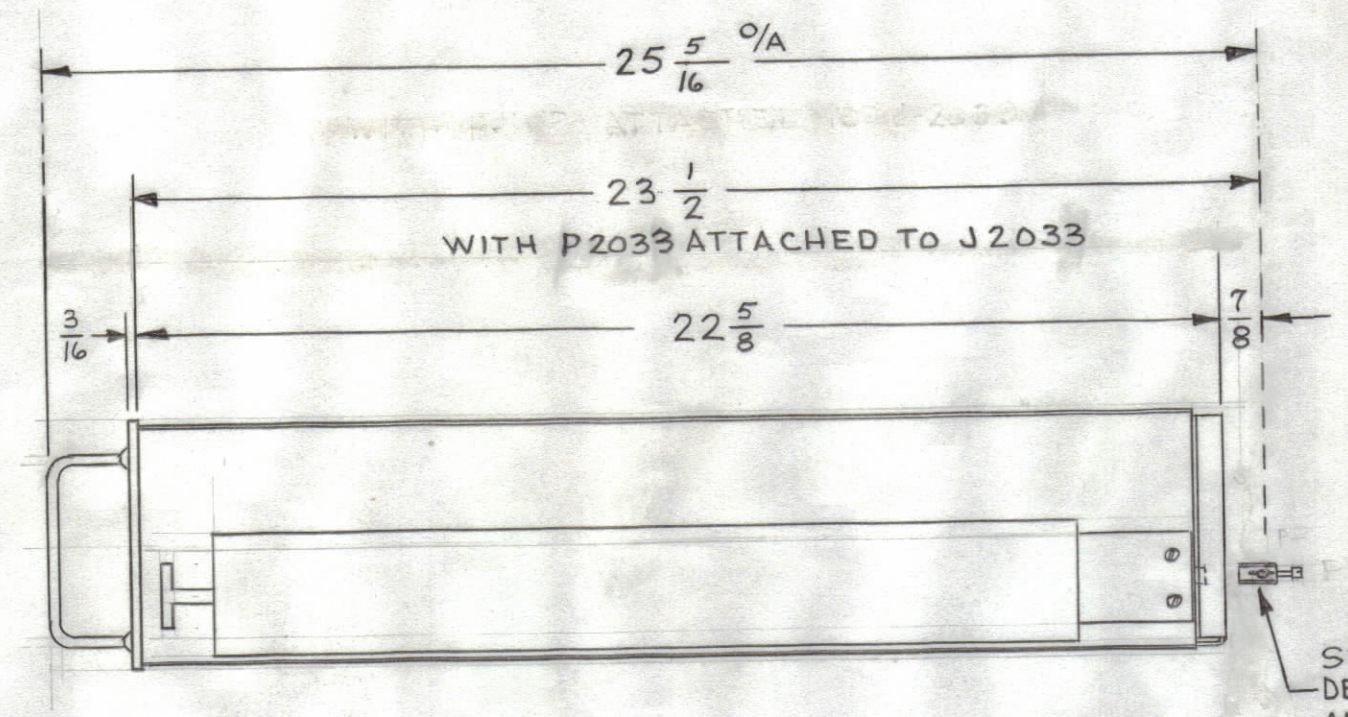
REVISIONS						
SYM	ZONE	DESCRIPTION	DATE	E.M.N. NO.	DRAFT	CHKD APPD
A		REVISED	9/27/65		MJT	
B		SEE SHEETS 1, 4 & 5.	6/1/66	16315	C.H.	<i>[Signature]</i>

TECHNICAL DATA

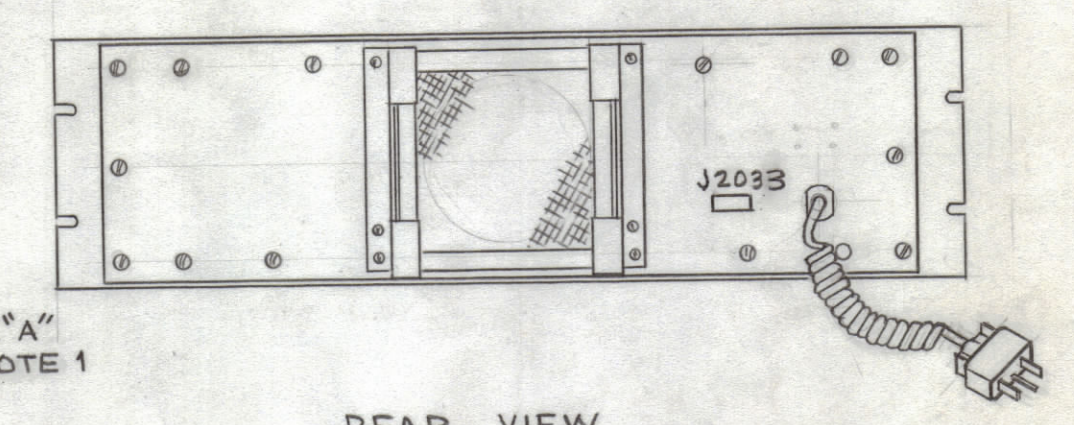
POWER INPUT: 100 WATTS
 VOLTAGE: 115/230 VAC
 PHASE: 1 ϕ
 FREQUENCY: 50/60 CPS
 HEAT DISSIPATION: 100 WATTS 340 BTU'S / HR
 AMBIENT TEMP. RANGE: 0 TO 50°C
 RELATIVE HUMIDITY: 0 TO 90%
 WEIGHT: 75 lbs.



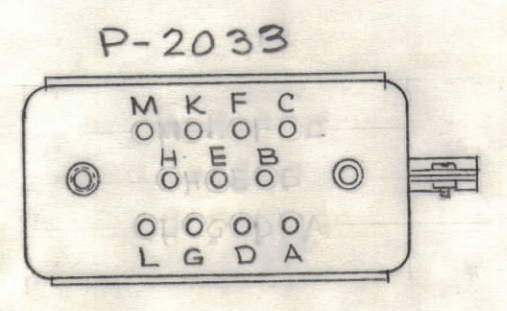
FRONT VIEW



RIGHT SIDE VIEW



REAR VIEW



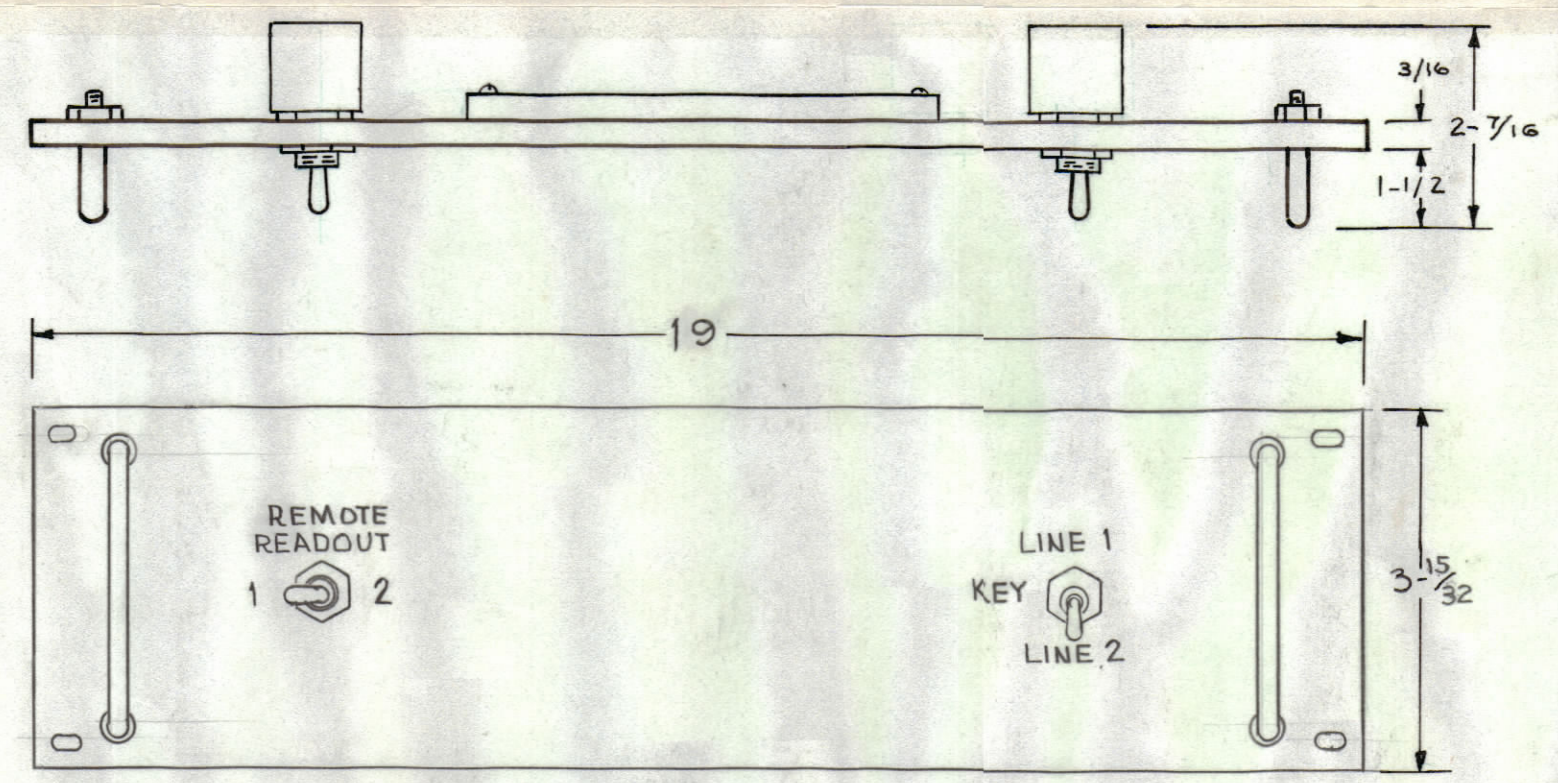
DETAIL "A"

- NOTE:
1. SIGNAL REQUIREMENTS 12 VDC POSITIVE GROUND.
 2. SEE SHEET 6 FOR INSTALLATION MATERIAL LIST

MAXIMUM ALLOWABLE TOLERANCES HAVE BEEN DETERMINED AND ANY DEVIATIONS WILL BE CAUSE FOR REJECTION.

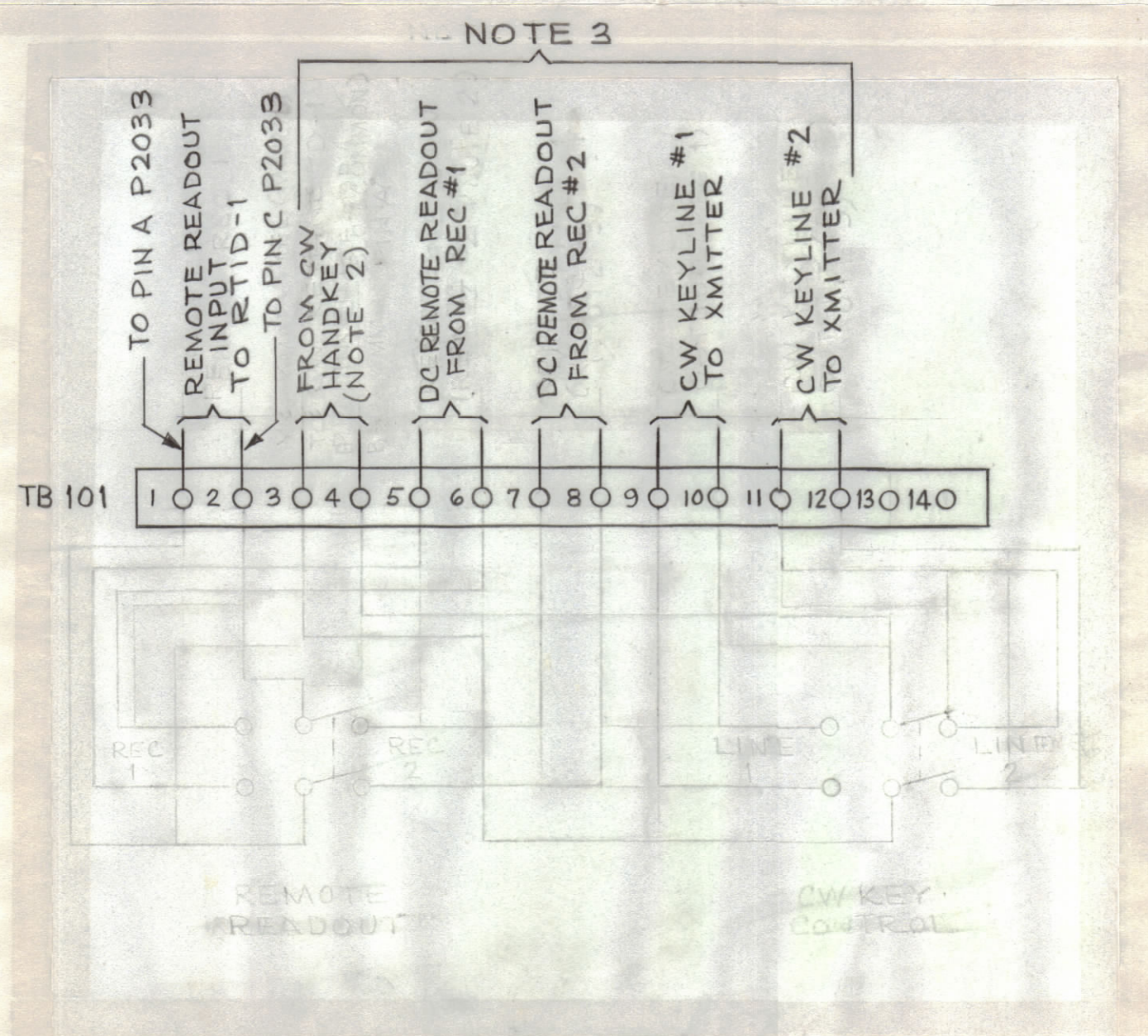
QTY REQ	ITEM	PART NO.	DESCRIPTION	SYMBOL
BILL OF MATERIAL				
UNLESS OTHERWISE SPECIFIED DIMENSIONS ARE IN INCHES TOLERANCES ON FRACTIONS DECIMALS ANGLES $\pm 1/64$ $\pm .005$ $\pm 1/2^\circ$			THE TECHNICAL MATERIEL CORP. MAMARONECK, NEW YORK	
MATERIAL		CONTROL MONITOR GROUP, MODEL RCWB-1 INDICATOR, FREQUENCY, MODEL RTID-1		
FINISH		INDICATOR, FREQUENCY, ID		
APPROVED FOR BUSHIPS		CODE 82679	SIZE C	DWG. NO. ID-325
CONTRACT NO. N600(63133-11-126)63002		SCALE NONE		ISSUE B
				SHEET 3 OF 6

REVISIONS						
SYM	ZONE	DESCRIPTION	DATE	E.M.N. NO.	DRAFT	CHKD APPD
A		REVISED	9/27/65		MJT	
B		3 15/32 DIM. WAS 3 1/2. SEE SHIP 5	6/1/66	16315	C.H.	<i>[Signature]</i>



TECHNICAL DATA

POWER INPUT: PASSIVE DEVICE
NO POWER REQUIRED
WEIGHT: 5 lbs.



- NOTE 1. THE RRCA-1 AND RTID-1 MUST BE COLLOCATED WITH THE RRCA-1 DIRECTLY BELOW THE RTID-1, DUE TO CABLE LENGTH.
2. CUSTOMER KEYING CIRCUIT
3. GFE CABLE CIRCUITS.

MAXIMUM ALLOWABLE TOLERANCES HAVE BEEN DETERMINED AND ANY DEVIATIONS WILL BE CAUSE FOR REJECTION.

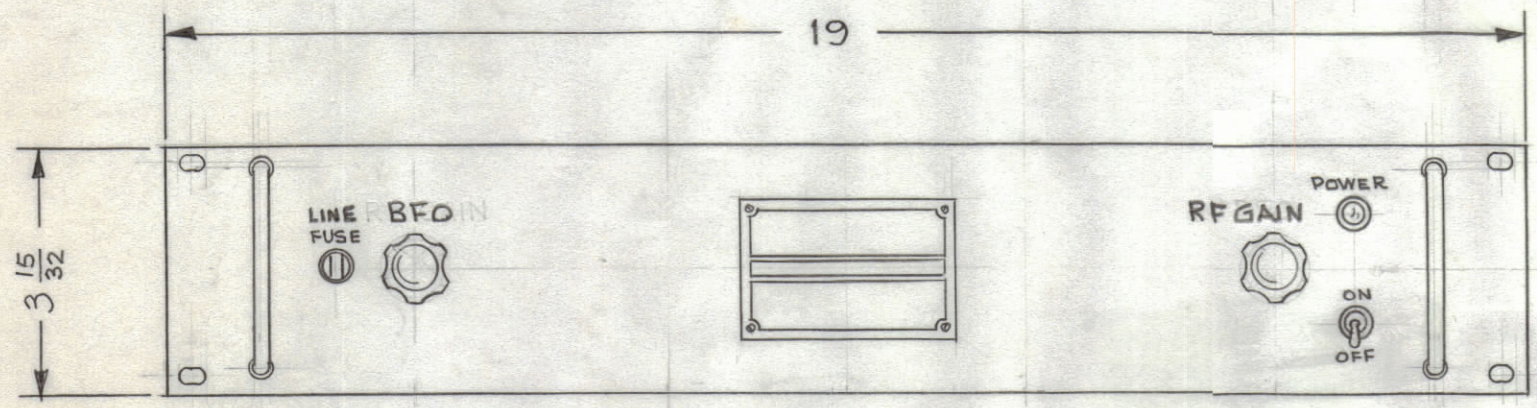
QTY REQ	ITEM	PART NO.	DESCRIPTION	SYMBOL
BILL OF MATERIAL				
UNLESS OTHERWISE SPECIFIED DIMENSIONS ARE IN INCHES TOLERANCES ON FRACTIONS DECIMALS ANGLES ±1/64 ±.005 ±1/2°			THE TECHNICAL MATERIEL CORP. MAMARONECK, NEW YORK	
MATERIAL			CONTROL MONITOR GROUP, MODEL RCWB-1 CONTROL UNIT, MODEL RRCA-1	
FINISH			SCALE NONE	
APPROVED FOR BUSHIPS			CODE	ISSUE
CONTRACT NO. N600(63132-11-126)63002			82679 C	B
			DWG. NO. ID-325	SHEET 4 OF 6

FINAL APPROVAL: *[Signature]* DATE: 5/19/65
 MECH. DES.: W. JORDAN DATE: 5/14/65
 ELECT. DES.: *[Signature]* DATE: 5/19/65
 CHECKED: *[Signature]* DATE: 5-13-65
 DRAWN: Jayness DATE: 5-1-65

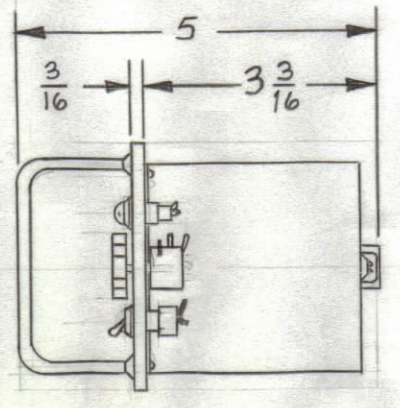
REVISIONS							
SYM	ZONE	DESCRIPTION	DATE	E.M.N. NO.	DRAFT	CHKD	APPD
A		REVISED	9/27/65		MJT		
B		DELETED NOTE FOR 230V OPERATION. SEE SHEET 4	6/1/66	16315	C.H.		

TECHNICAL DATA

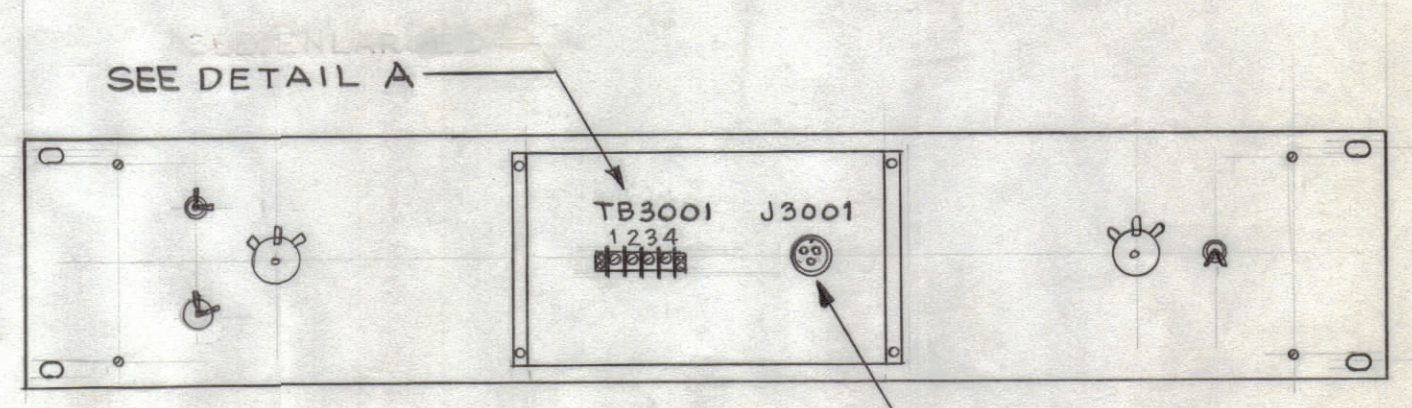
POWER INPUT - 8 WATTS
 VOLTAGE - 115/230VAC
 PHASE - SINGLE
 FREQUENCY - 50/60 CPS
 HEAT DISSIPATION - 8 WATTS, BTU 27/HR
 AMBIENT TEMP RANGE - 0° TO 50° C
 RELATIVE HUMIDITY - 0 TO 90 %
 WEIGHT - 6 lbs.



FRONT VIEW



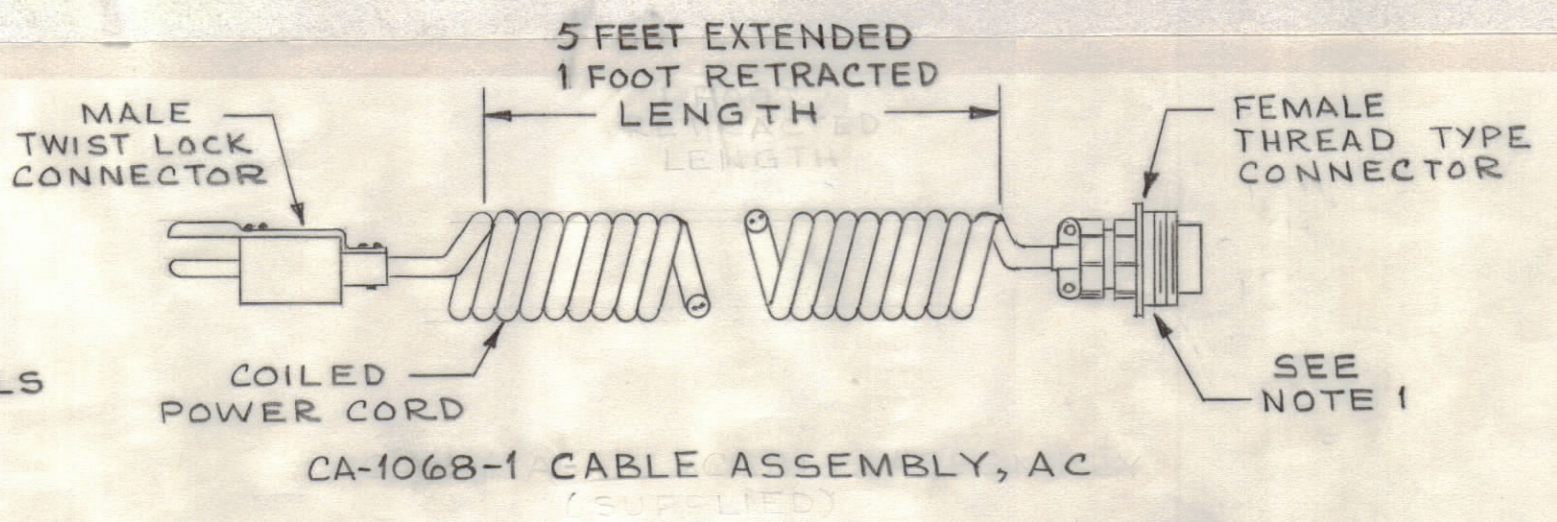
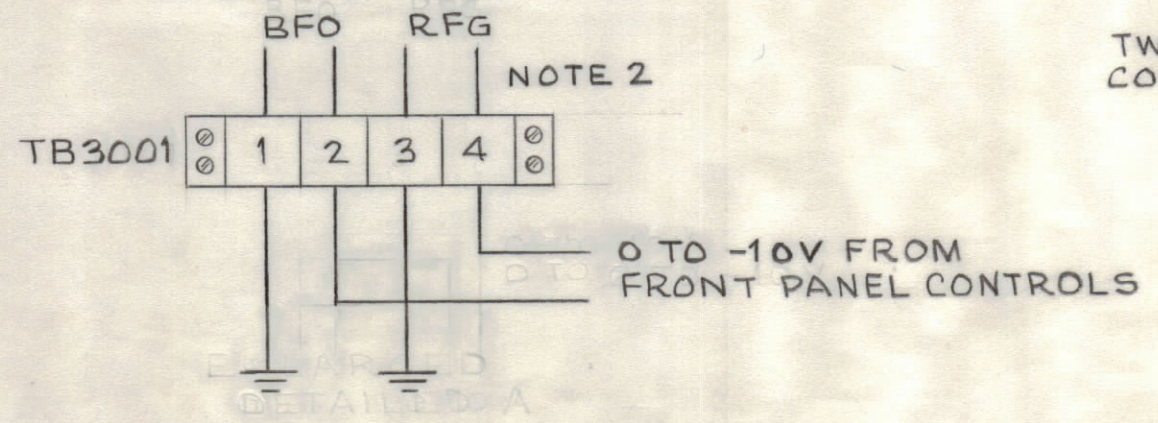
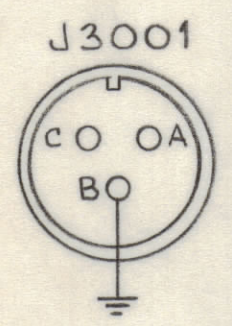
RIGHT SIDE VIEW



REAR VIEW

DETAIL B

DETAIL A



- NOTE 1. PLUGS INTO J3001 (SEE DETAIL B)
 2. 0 TO -10V DC OUTPUT FOR CONTROL OF ANALOG TO DIGITAL CHANNEL IN RASA.
 3. SEE SHEET 6 FOR INSTALLATION MATERIAL LIST.
 4. SEE SHEET 6 FOR INSTALLATION MATERIAL LIST.

MAXIMUM ALLOWABLE TOLERANCES HAVE BEEN DETERMINED AND ANY DEVIATIONS WILL BE CAUSE FOR REJECTION.

QTY REQ	ITEM	PART NO.	DESCRIPTION	SYMBOL
BILL OF MATERIAL				
THE TECHNICAL MATERIEL CORP. MAMARONECK, NEW YORK				
CONTROL MONITOR GROUP, MODEL RCWB-1 CONTROL UNIT, MODEL RGCA-1 (C.C. MODEL RGCA-1) OUTLINE AND DIMENSIONS				
UNLESS OTHERWISE SPECIFIED DIMENSIONS ARE IN INCHES		FINAL APPROVAL <i>[Signature]</i>	DATE 5/13/65	CODE 82679
TOLERANCES ON FRACTIONS DECIMALS ANGLES ±1/64 ±.005 ±1/2°		MECH. DES.	DATE	
MATERIAL		ELECT. DES. <i>[Signature]</i>	DATE 5-13-65	
FINISH		CHECKED <i>[Signature]</i>	DATE 5-13-65	
		DRAWN M. TANTILLO	DATE 5-4-65	SIZE C
		APPROVED FOR BUSHIPS		DWG. NO. ID-325
		CONTRACT NO. N600(63133-11-126)63002		ISSUE B
				SCALE NONE
				SHEET 5 OF 6

REVISIONS							
SYM	ZONE	DESCRIPTION	DATE	E.M.N.NO	DRAFT	CHKD	APPD
B		SEE SHTS 1,4, & 5.	6/1/66	16315	C.H.		<i>[Signature]</i>

INSTALLATION MATERIAL LIST

PC NO.	QTY	DESCRIPTION	NAVY OR COML DESIG	FURNISHED BY (GFE OR CFM)
1	1	CONTROL MONITOR GROUP CONSISTS OF:	RCWB-1	CFM
2	2	LOUDSPEAKER ASS'Y	HSS-7	CFM
3	1	INDICATOR, FREQUENCY	RTID-1	CFM
4	1	CONTROL UNIT	RECA-1	CFM
5	2	CONTROL UNIT	RGCA-1	CFM
6	2	CABLE ASSY, AC	CA-555-4	CFM
7	2	CABLE ASSY, AC	CA-1068-1	CFM
8	24	SCREW, MACHINE	SCBP1032BNS	CFM
9	24	WASHER, FIBER, FLAT	WA-101-5	CFM
10	AS REQD	TWISTED-SHIELDED-PAIR, RADIO FLEXIBLE CABLE	TTRS	GFE
11	1	RACK, 30" DEPTH		GFE
12	1	CONNECTOR (P2033)	PL-247-1P	CFM

QTY REQ	ITEM	PART NO.	DESCRIPTION	SYMBOL													
BILL OF MATERIAL																	
UNLESS OTHERWISE SPECIFIED DIMENSIONS ARE IN INCHES TOLERANCES ON FRACTIONS DECIMALS ANGLES ±1/64 ±.005 ±1/2°			<table border="1"> <tr> <td>FINAL APPROVAL <i>[Signature]</i></td> <td>DATE 3/4/66</td> </tr> <tr> <td>MECH. DES.</td> <td>DATE</td> </tr> <tr> <td>ELECT. DES.</td> <td>DATE</td> </tr> <tr> <td>CHECKED</td> <td>DATE</td> </tr> <tr> <td>DRAWN M TANTILLO</td> <td>DATE 9-26-65</td> </tr> <tr> <td>APPROVED FOR BUSHIPS</td> <td></td> </tr> </table>	FINAL APPROVAL <i>[Signature]</i>	DATE 3/4/66	MECH. DES.	DATE	ELECT. DES.	DATE	CHECKED	DATE	DRAWN M TANTILLO	DATE 9-26-65	APPROVED FOR BUSHIPS		THE TECHNICAL MATERIEL CORP. MAMARONECK, NEW YORK CONTROL MONITOR GROUP, MODEL RCWB-1	
FINAL APPROVAL <i>[Signature]</i>	DATE 3/4/66																
MECH. DES.	DATE																
ELECT. DES.	DATE																
CHECKED	DATE																
DRAWN M TANTILLO	DATE 9-26-65																
APPROVED FOR BUSHIPS																	
MATERIAL																	
FINISH																	
MAXIMUM ALLOWABLE TOLERANCES HAVE BEEN DETERMINED AND ANY DEVIATIONS WILL BE CAUSE FOR REJECTION.		CONTRACT NO. N600 (63133-11-126) 63002	CODE 82679	SIZE C	DWG. NO. ID-325	ISSUE B											
		SCALE NONE		SHEET 6 OF 6													