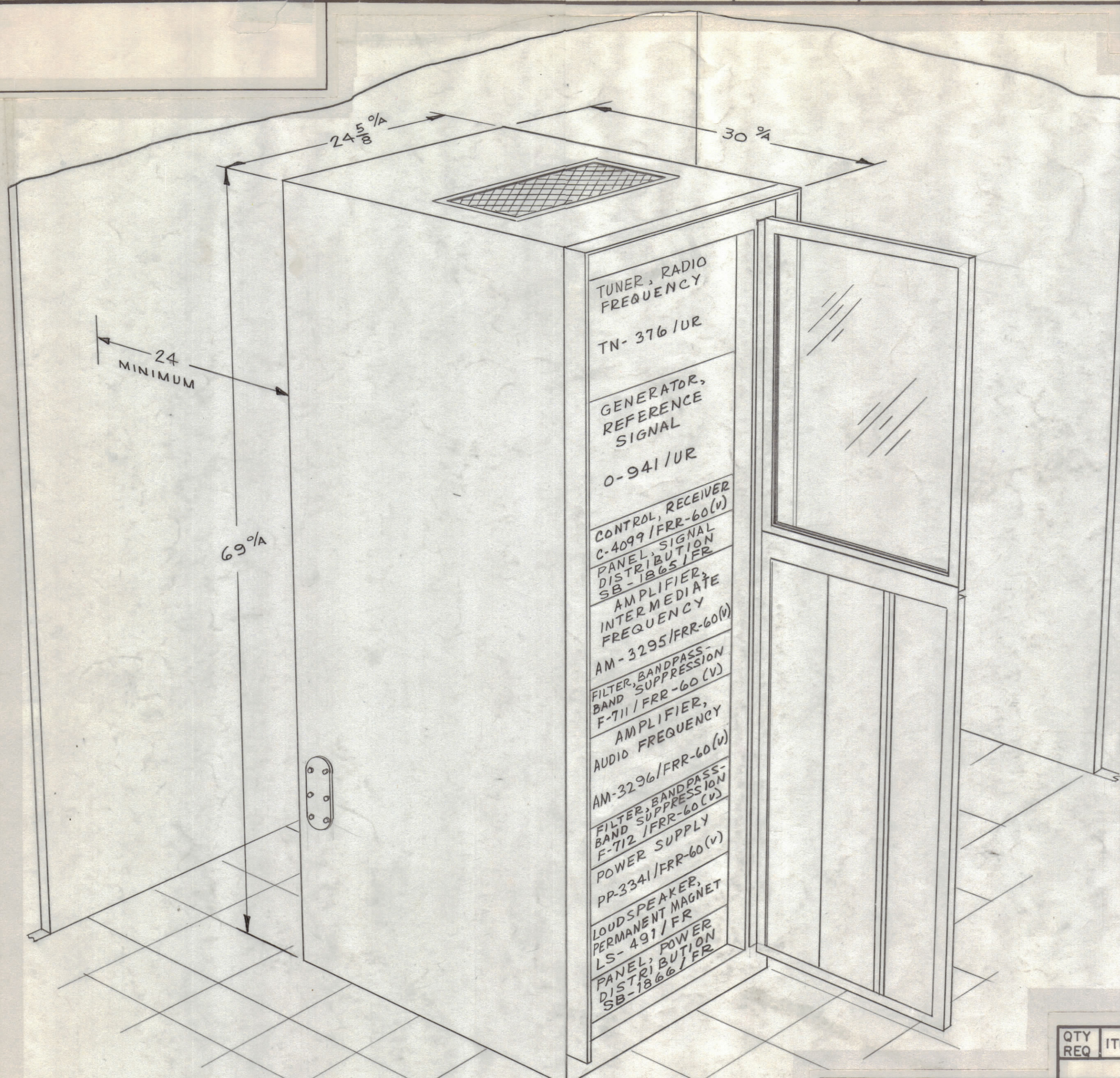


REVISIONS					
SYM	ZONE	DESCRIPTION	DATE	E.M.N. NO.	DRAFT
Ø		ORIGINAL RELEASE	3/4/66		



- TUNER, RADIO FREQUENCY
TN-376/UR
- GENERATOR, REFERENCE SIGNAL
O-941/UR
- CONTROL, RECEIVER
C-4099/FRR-60(V)
- PANEL, SIGNAL DISTRIBUTION
SB-1865/FR
- AMPLIFIER, INTERMEDIATE FREQUENCY
AM-3295/FRR-60(V)
- FILTER, BANDPASS BAND SUPPRESSION
F-711/FRR-60(V)
- AMPLIFIER, AUDIO FREQUENCY
AM-3296/FRR-60(V)
- FILTER, BANDPASS BAND SUPPRESSION
F-712/FRR-60(V)
- POWER SUPPLY
PP-3341/FRR-60(V)
- LOUDSPEAKER, PERMANENT MAGNET
LS-491/FR
- PANEL, POWER DISTRIBUTION
SB-1866/FR

TECHNICAL DATA

POWER INPUT:	1000 W
VOLTAGE:	115/230 VAC
PHASE:	1 Ø
FREQUENCY:	50/60 CPS
HEAT DISSIPATION:	1000W, BTU 3400/HR
AMBIENT TEMP. RANGE:	0 TO 50°C
INTAKE AIR:	500 CFM
RELATIVE HUMIDITY:	0-90%
WEIGHT:	637 lbs

NOTE
FOR INSTALLATION MATERIAL
SEE SHEET 5

UNLESS OTHERWISE SPECIFIED
DIMENSIONS ARE IN INCHES
TOLERANCES ON
FRACTIONS DECIMALS ANGLES
±1/64 ±.005 ±1/2°

MAXIMUM
ALLOWABLE TOLERANCES HAVE BEEN
DETERMINED AND ANY DEVIATIONS
WILL BE CAUSE FOR REJECTION.

QTY REQ	ITEM	PART NO.	DESCRIPTION	SYMBOL
BILL OF MATERIAL				
FINAL APPROVAL <i>[Signature]</i> DATE 5/13/65 MECH. DES. DATE ELECT. DES. DATE 5-8-65 CHECKED DATE 5-13-65 DRAWN DATE 4-30-65 M TANTILLO			THE TECHNICAL MATERIEL CORP. MAMARONECK, NEW YORK RECEIVING SET, RADIO MODEL DDR-5B ELECTRICAL REQUIREMENTS	
MATERIAL		APPROVED FOR BUSHIPS	CODE 82679	SIZE C
FINISH		CONTRACT NO. N600(63133-11-126)63002	DWG. NO. ID-324	ISSUE Ø
			SCALE NONE	SHEET 1 OF 5

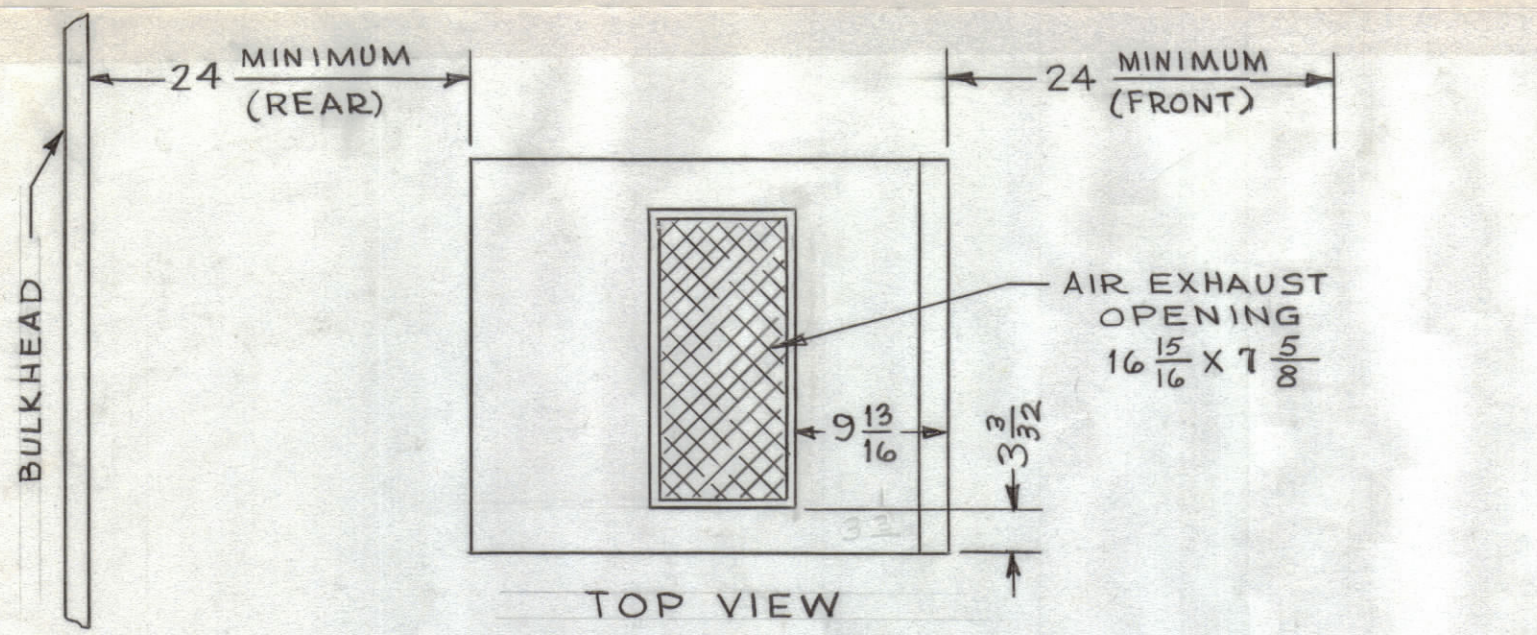
REVISIONS

SYM	ZONE	DESCRIPTION	DATE	E.M.N.	NO	DRAFT	CHKD	APPD
-----	------	-------------	------	--------	----	-------	------	------

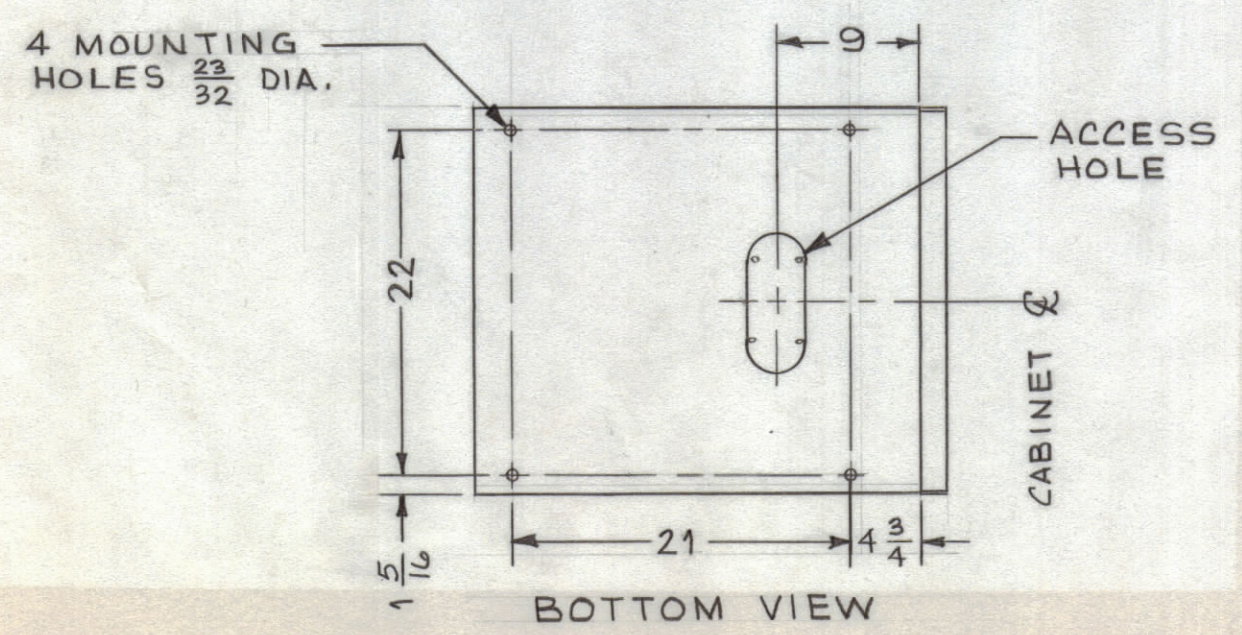
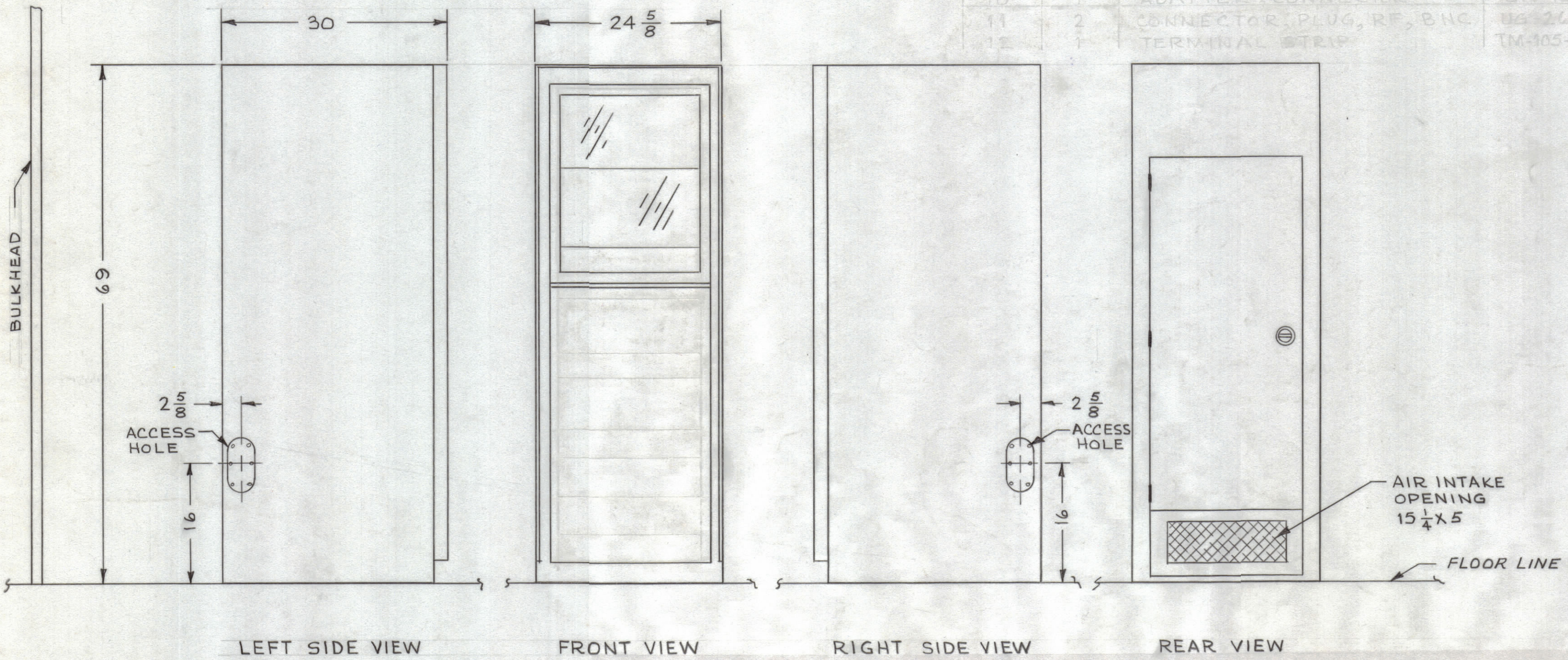
			33	CA-412-36-34	GROUND STRAP FOR C-4099/FRR-60(V)	19031
			32	CA-480-3-128	250 KC OUTPUT	
	P9052, 9053, W9029	P9054, 9055, W9030	31	CA-480-3-128	2 MC OUTPUT	
		P9050, 9051, W9028	30	CA-480-3-128	OSC. CONTROL VOLTAGE	
	P9048, 9049, W9027	P9046, 9047, W9026	29	CA-480-3-128	HFO OUTPUT	
	P9044, 9045, W9025	P9042, 9043, W9024	28	CA-480-3-140	AUDIO FREQ. SYNCH TONE	
	P9040, 9041, W9023	P9038, 9039, W9022	27	CA-480-3-128	1.75 MC IF OUTPUT	
	P9036, 9037, W9021	P9034, 9035, W9020	26	CA-480-3-128	2 MC CONVERTER INJ	
	P9032, 9033, W9019	P9030, 9031, W9018	25	CA-480-3-97	2 MC CONVERTER INJ	
	P9028, 9029, W9017	P9026, 9027, W9016	24	CA-480-3-97	250 KC IF OUTPUT, CHAN A B B	
	P9024, 9025, W9014	P9022, 9023, W9015	23	CA-480-3-97	250 KC IF OUTPUT, CHAN A B B	
	P9020, 9021, W9013	P9018, 9019, W9012	22	CA-480-3-97	250 KC IF OUTPUT, CHAN A B B	
	P9016, 9017, W9011		21	CA-480-3-128	250 KC IF OUTPUT, CHAN. A	
			20	CA-480-3-128	250 KC IF OUTPUT CHAN B	
			19	CA-480-3-128	250 KC OR RCC OUTPUT TO PRODUCT DET.	
			18	CA-480-3-140	250 KC TO PRODUCT DET	
			17	CA-480-3-72	AUDIO INTERCONNECT, CHAN B	
			16	CA-480-3-72	AUDIO INTERCONNECT, CHAN B	
			15	CA-480-3-72	AUDIO INTERCONNECT, CHAN A	
			14	CA-480-3-72	AUDIO INTERCONNECT, CHAN A	
			13	CA-480-3-97	ANTENNA INPUT	
			12	CA-412-34-54.00	GROUND STRAP FOR 0-941/UR	W9010
			11	CA-412-34-54.00	GROUND STRAP FOR TN-376A/UR	W9099
		W9008, E9001	10	CA-705-2	AUDIO OUTPUT	
	P9014, 9015, W9006		9	CA-718	AC INPUT TO S8-1866/FR	W9007
	P9008 THRU 9011 W9004	P9012, 9013, W9005	8	CA-703	POWER AND AUDIO INTERCONNECT	
	P9004, 9005, W9002	P9006, 9007, W9003	7	CA-687-2	POWER INTERCONNECT	
	W9000, P9000	W9001, P9001	6	CA-704	POWER INTERCONNECT	
		TO BE INSTALLED BY CUSTOMER.	5	CA-687-1	POWER INTERCONNECT	
			4	CA-686-1	POWER INTERCONNECT	
			3	CA-706-1	AC INPUT TO BLOWER	
			2	CA-696	AC INPUT TO PP-3341/FRR-60(V)	
			1		AC INPUT TO AF-103	
			ITEM	CABLE NO.	DESCRIPTION	SYMBOL

CONTRACT NO. N600(63133-11-126)63002	EXAMINED		NAVAL SHORE ELECTRONICS ENGINEERING CENTER WASHINGTON, D C	
TECHNICAL MATERIEL CORP	OFFICIAL	SIGNATURE	AN/FRR-60 (v) 3 RECEIVING, SET, RADIO	
DWG NO. ID-324-II	BR HEAD			
APPROVED _____ DATE _____	PROJ ENG			
SATISFACTORY TO:	DIV DIR			
DATE: _____	PROJ DIR			
	DRAFTSEC			
	DRAWN		RW	CODE IDENT
			23	82679
	FEDERAL SUPPLY CODE 82679		C	561
	CONTR DRAWING NO. ID-324-II	SCALE NONE		SHEET 11 OF 11

REVISIONS						
SYM	ZONE	DESCRIPTION	DATE	E.M.N.O.	DRAFT	CHKD APPD
Ø		ORIGINAL RELEASE	3/4/66			



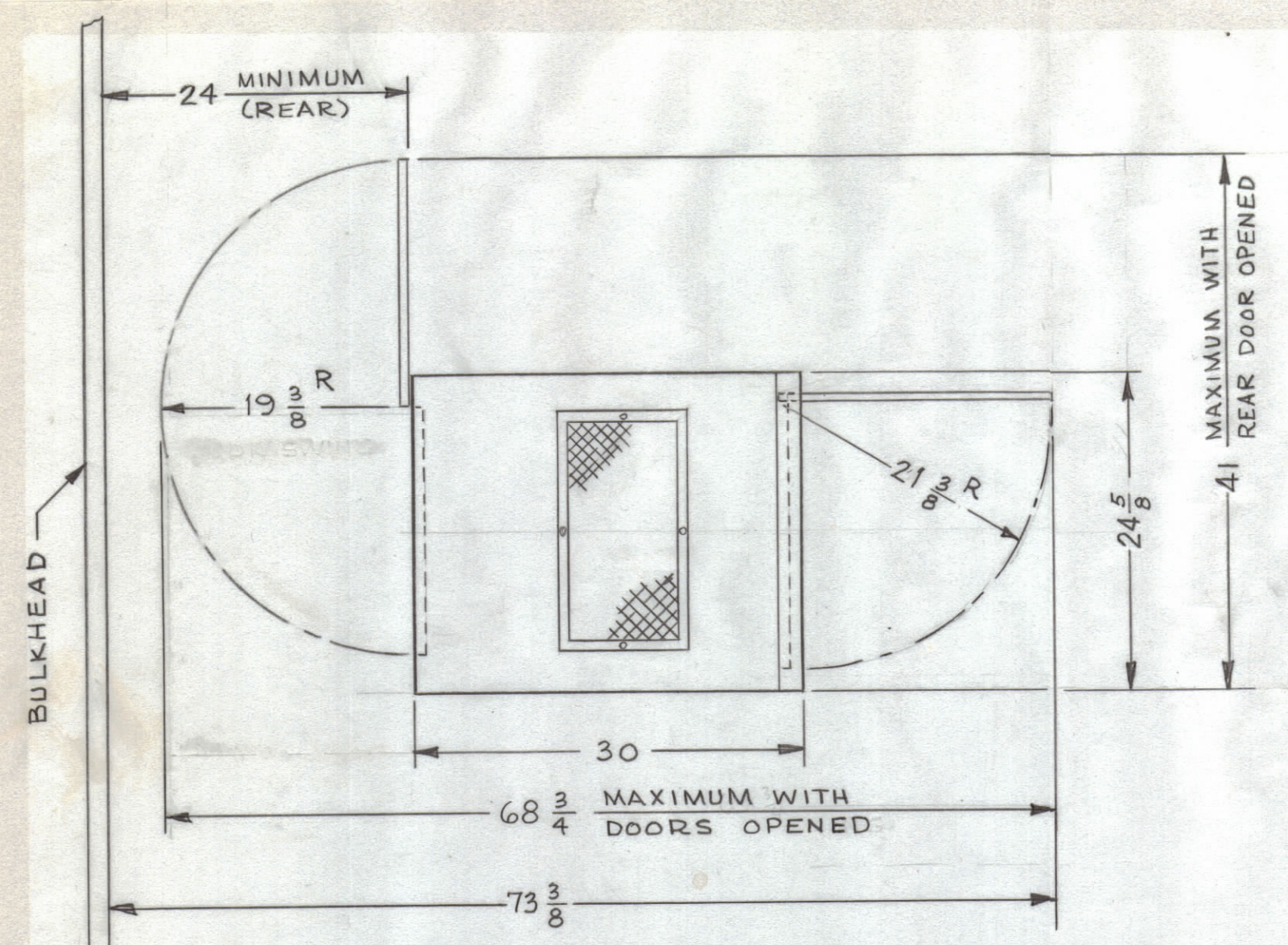
PC NO.	QTY.	DESCRIPTION	NAVY OR COML DESIG.	FURNISHED BY (GFE OR CFM)
1	1	RECEIVING SET, RADIO	DDR-5B	CFM
2	1	CONNECTOR, PLUG, RF, QDS	PL-149	CFM
3	1	TOOL KIT, ALIGNMENT, RF & IF	KIT-170	CFM
4	1	COAX CABLE, RF, ANTENNA	RG-58C	GFE
5	2	TWISTED SHIELDED PAIR, RADIO	TTRG-6	GFE
6	2	FLEXIBLE CABLE 8-32 STUD		GFE
7	2	TERMINAL LUG, 8-32 STUD		GFE
8	1	TERMINAL LUG, 10-32 STUD		GFE
9	3	CABLE, AC POWER		GFE
10	1	CONNECTOR, PLUG, 3 PRONG	PL-177	CFM
11	1	ADAPTER, CONNECTOR	SA-105	CFM
12	2	CONNECTOR, PLUG, RF, BNC	UG-260/U	CFM
13	1	TERMINAL STRIP	TM-105-16AL	CFM



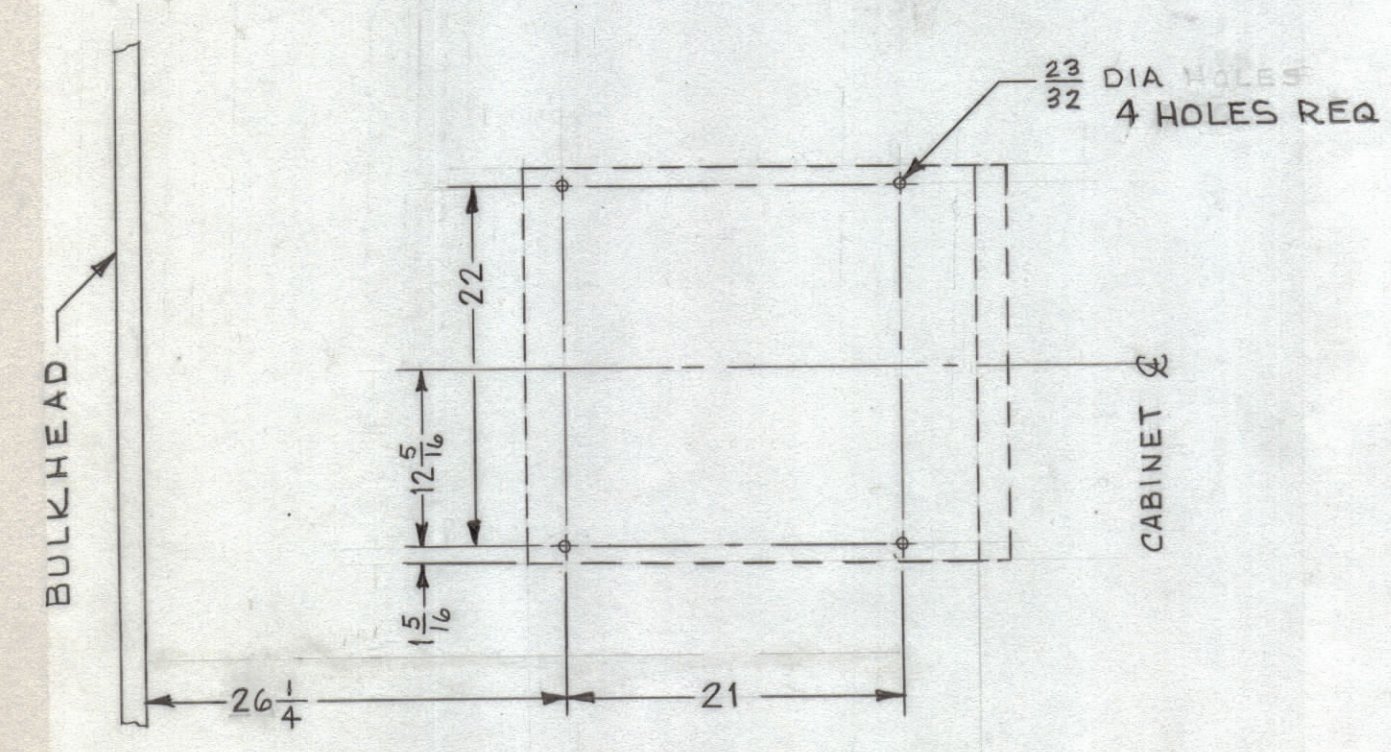
QTY REQ	ITEM	PART NO.	DESCRIPTION	SYMBOL
BILL OF MATERIAL				
UNLESS OTHERWISE SPECIFIED DIMENSIONS ARE IN INCHES TOLERANCES ON FRACTIONS DECIMALS ANGLES ±1/64 ±.005 ±1/2°			THE TECHNICAL MATERIEL CORP. MAMARONECK, NEW YORK	
MATERIAL			RECEIVING SET, RADIO, MODEL DDR-5B	
FINISH			CUEVING, TOP AND BOTTOM DATA PANEL DETAILS	
APPROVED FOR BUSHIPS			CODE	SIZE
CONTRACT NO. N600(63133-11-126) 63002			82679	C
DATE			DWG. NO.	ISSUE
5-13-65			ID-324	Ø
DATE			SCALE NDNE	
4-30-65			SHEET 2 OF 5	

MAXIMUM ALLOWABLE TOLERANCES HAVE BEEN DETERMINED AND ANY DEVIATIONS WILL BE CAUSE FOR REJECTION.

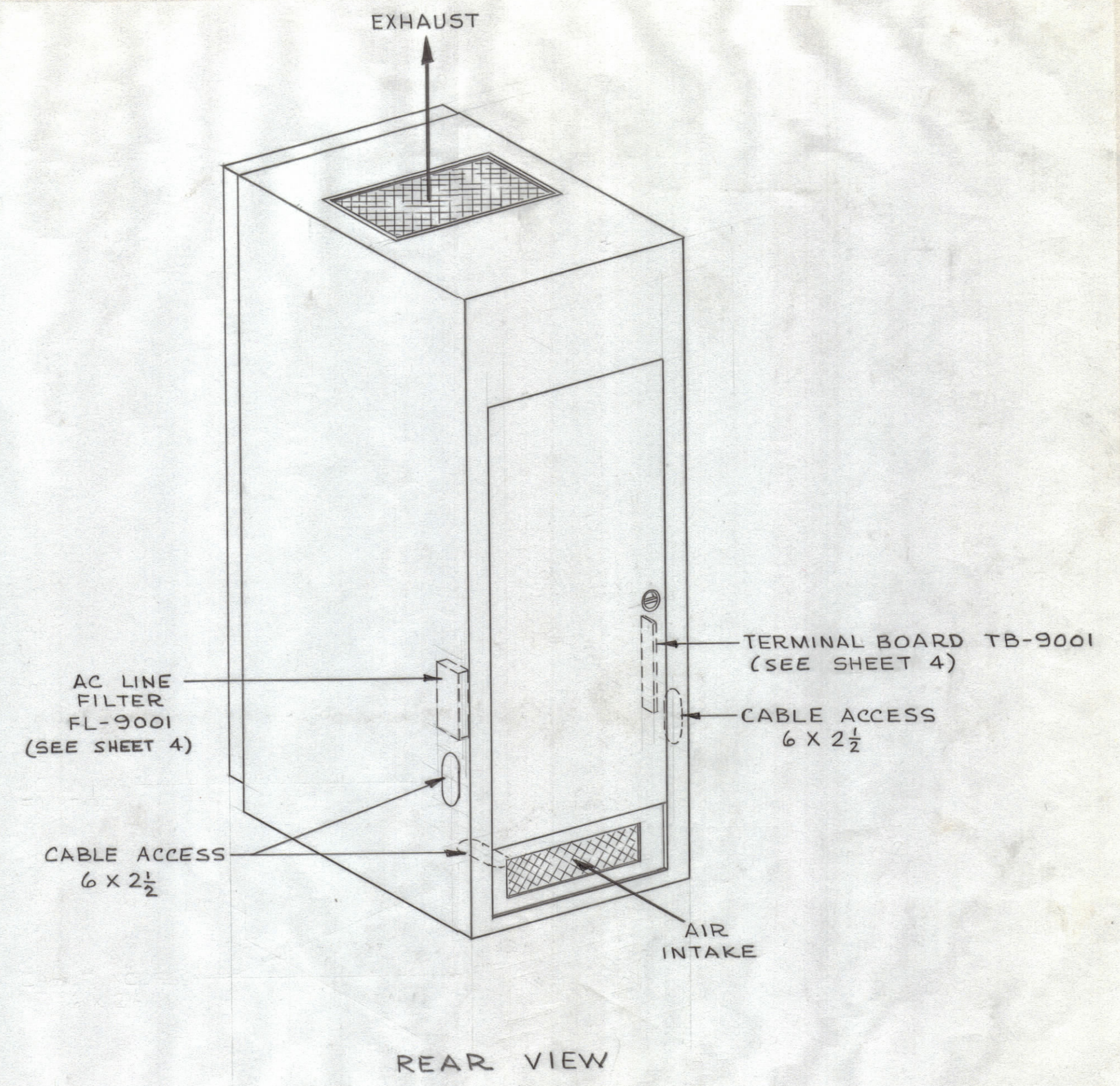
REVISIONS							
SYM	ZONE	DESCRIPTION	DATE	E.M.N.Q.	DRAFT	CHKD	APPD
Ø		ORIGINAL RELEASE	3/4/66				JLQ



DOOR CLEARANCE REQUIREMENTS
TOP VIEW



DRILLING PLAN

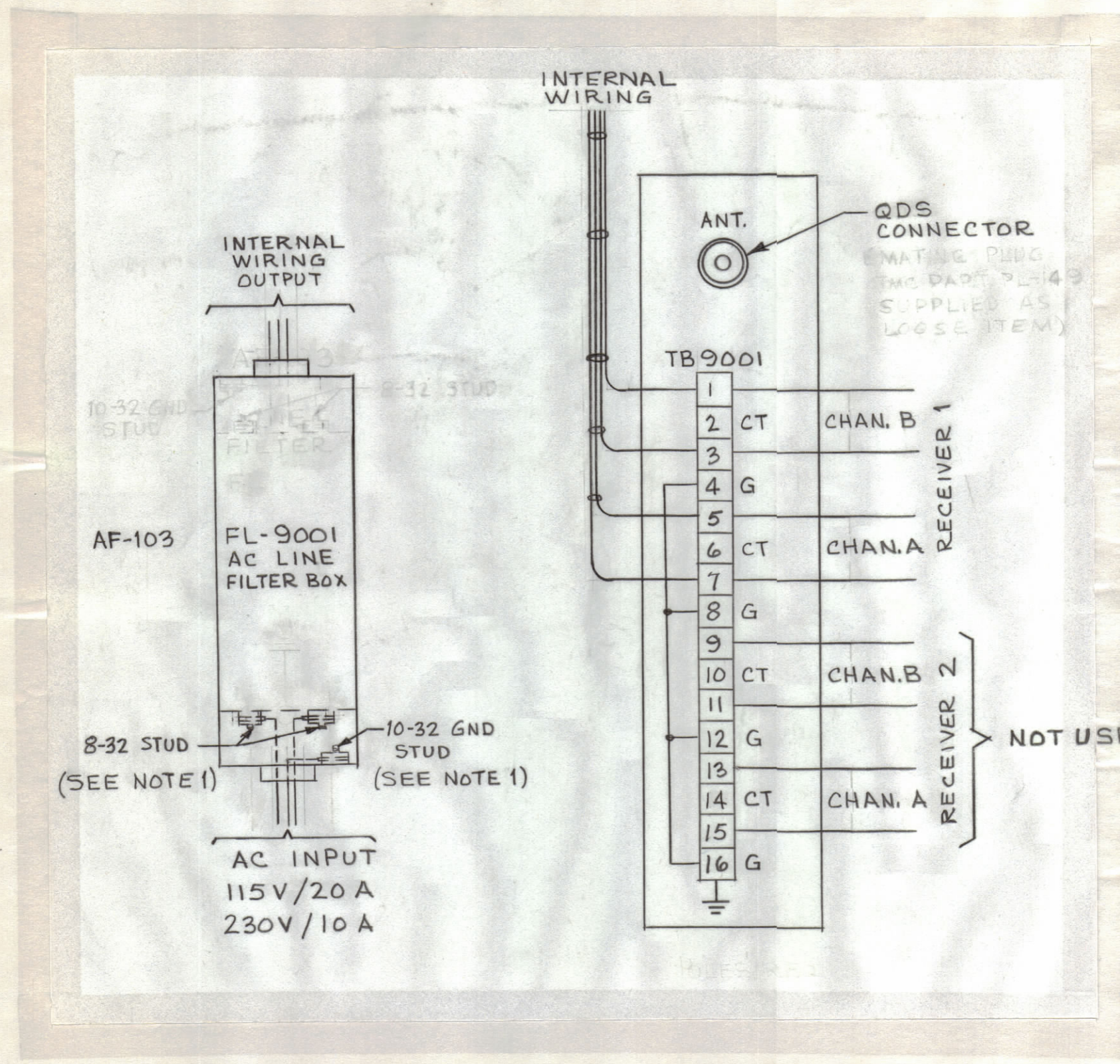


REAR VIEW

MAXIMUM ALLOWABLE TOLERANCES HAVE BEEN DETERMINED AND ANY DEVIATIONS WILL BE CAUSE FOR REJECTION.

QTY REQ	ITEM	PART NO.	DESCRIPTION	SYMBOL
BILL OF MATERIAL				
UNLESS OTHERWISE SPECIFIED DIMENSIONS ARE IN INCHES TOLERANCES ON FRACTIONS DECIMALS ANGLES ±1/64 ±.005 ±1/2°			THE TECHNICAL MATERIEL CORP. MAMARONECK, NEW YORK	
MATERIAL			RECEIVING SET, RADIO, MODEL DDR-5B	
FINISH			OUTLINE CLEARANCE AND INSTALLATION DETAILS	
APPROVED FOR BUSHIPS			CODE	ISSUE
CONTRACT NO.			SIZE	DWG. NO.
N600(63133-11-126)63002			82679 C	ID-324
			SCALE	SHEET 3 OF 5
			NONE	

REVISIONS						
SYM	ZONE	DESCRIPTION	DATE	E.M.N.O.	DRAFT	CHKD APPD
Ø		ORIGINAL RELEASE	3/4/66			<i>JLB</i>



RECOMMENDED CABLE

- ① ANTENNA RG-58C COAX
- ② AUDIO TTR 3-6 (2 SPARES)

FOR PHYSICAL LOCATION REFER TO SHEET 3

NOTE:
1. TERMINAL LUGS FOR CUSTOMERS CONNECTION NOT SUPPLIED.

MAXIMUM ALLOWABLE TOLERANCES HAVE BEEN DETERMINED AND ANY DEVIATIONS WILL BE CAUSE FOR REJECTION.

QTY REQ	ITEM	PART NO.	DESCRIPTION	SYMBOL
BILL OF MATERIAL				
UNLESS OTHERWISE SPECIFIED DIMENSIONS ARE IN INCHES TOLERANCES ON FRACTIONS DECIMALS ANGLES ±1/64 ±.005 ±1/2°			THE TECHNICAL MATERIEL CORP. MAMARONECK, NEW YORK	
MATERIAL			RECEIVING SET, RADIO, MODEL DDR-5B	
FINISH			SIGNAL AND POWER, DDR-5B CONNECTION DETAIL	
APPROVED FOR BUSHIPS			CODE	SIZE
CONTRACT NO.			82679	C
N600(63133-11-126) 63002			DWG. NO.	ISSUE
			ID-324	Ø
			SCALE NONE	SHEET 4 OF 5

REVISIONS						
SYM	ZONE	DESCRIPTION	DATE	E.M.N.O.	DRAFT	CHKD APPD
Ø		ORIGINAL RELEASE	3/4/66			

INSTALLATION MATERIAL LIST

PC NO	QTY	DESCRIPTION	NAVY OR COM L DESIG	FURNISHED BY (GFE OR CFM)
1	1	RECEIVING SET, RADIO	DDR-5B	CFM
2	1	CONNECTOR, PLUG, RF, QDS	PL-149	CFM
3	3	CONNECTOR, PLUG, 3PRONG	PL-177	CFM
4	2	CONNECTOR, PLUG, RF, BNC	UG-260/U	CFM
5	1	ADAPTER CONNECTOR	SA-105	CFM
6	1	TERMINAL STRIP	TM-105-16AL	CFM
7		TOOL KIT, ALIGNMENT, RF&IF	KIT-170	CFM
8	54	SCREW MACHINE	SCBP1032BN8	CFM
9	54	WASHER, FIBER, FLAT	WA-101-5	CFM
10		COAX CABLE, RF, ANTENNA	RG-58/C	GFE
11		TWISTED-SHIELDED-PAIR, RADIO, FLEXIBLE CABLE	TTRS	GFE
12		CABLE, AC POWER		GFE
13		TERMINAL LUG 8-32 STUD		GFE
14		TERMINAL LUG 10-32 STUD		GFE

QTY REQ	ITEM	PART NO.	DESCRIPTION	SYMBOL
BILL OF MATERIAL				
UNLESS OTHERWISE SPECIFIED DIMENSIONS ARE IN INCHES TOLERANCES ON FRACTIONS DECIMALS ANGLES $\pm 1/64$ $\pm .005$ $\pm 1/2^\circ$			FINAL APPROVAL <i>M. T.</i> 3/4/66 MECH. DES. DATE ELECT. DES. DATE CHECKED DATE DRAWN M TANTILLO 9/17/65 APPROVED FOR BUSHIPS CONTRACT NO.	THE TECHNICAL MATERIEL CORP. MAMARONECK, NEW YORK RECEIVING SET, RADIO MODEL DDR-5B CODE 82679 SIZE C DWG. NO. 1D-324 ISSUE Ø
MATERIAL FINISH			SCALE NONE	SHEET 5 OF 5

MAXIMUM ALLOWABLE TOLERANCES HAVE BEEN DETERMINED AND ANY DEVIATIONS WILL BE CAUSE FOR REJECTION.